

DESCRIPTION

Corner adapter for PTBC bracket. It allows the bracket to be firmly attached to the corner. Constructed from steel and epoxy polyester powder painted.

TECHNICAL DATA

MECHANICAL

Made of steel

Load rating: 50kg (110lb)

Unit weight: 2.2kg (4.8lb)

PART NUMBER

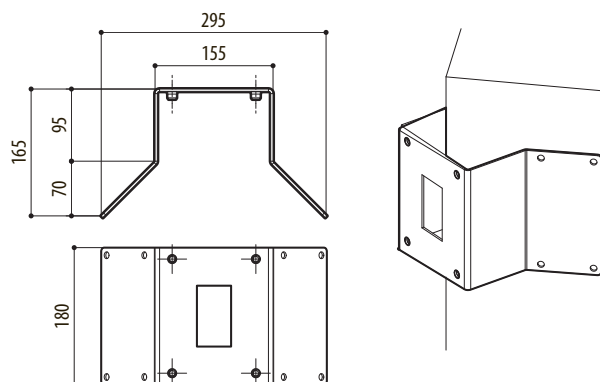
WCWGC Corner mount adaptor

PACKAGE

Model Number	Weight	Dimensions (WxHxL)	Master carton
WCWGC	2.6kg (5.7lb)	24x32x24.5cm (9.4x12.6x9.6in)	8

TECHNICAL DRAWINGS

The indicated measurements are expressed in millimetres.



WCWGC