

PTCC1

POLE MOUNT ADAPTOR



DESCRIPTION

Corner adapter for PTBC bracket. Epoxypolyester powder painted.

TECHNICAL DATA

MECHANICAL

Made of aluminium

For pole diameters: 80÷150mm (3÷5.9in)

Load rating: 50kg (110lb)

Unit weight: 2.6kg (5.7lb)

PART NUMBER

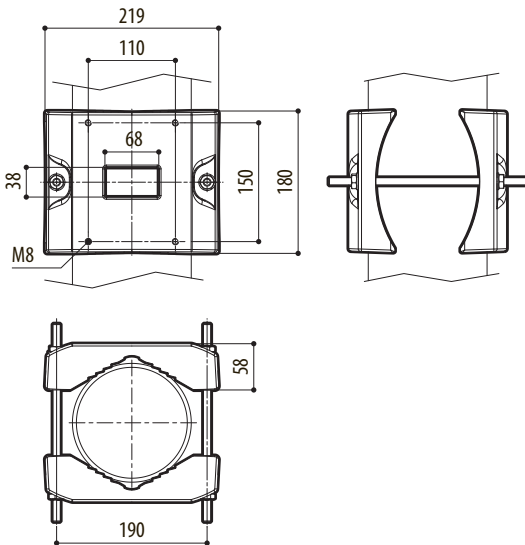
PTCC1 Pole mount adaptor

PACKAGE

Model Number	Weight	Dimensions (WxHxL)	Master carton
PTCC1	2.8kg (6.2lb)	14x25.5x20cm (5.5x10x7.9in)	8

TECHNICAL DRAWINGS

The indicated measurements are expressed in millimetres.



PTCC1