

OHEGBB

WEATHERPROOF JUNCTION BOX



DESCRIPTION

External junction box, weatherproof standard IP55, allowing the housing of wiring harnesses or auxiliary cards.

TECHNICAL DATA

GENERAL

4 PG9 cable glands

IP55

Unit weight: 0.4kg (0,9lb)

PART NUMBER

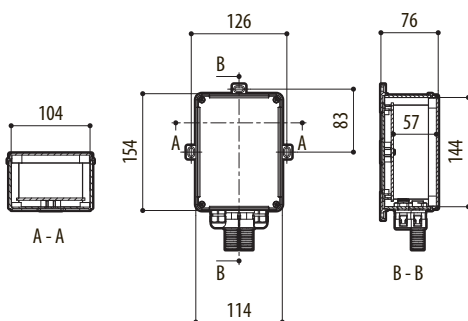
OHEGBB Weatherproof junction box IP55

PACKAGE

Model Number	Weight	Dimensions (WxHxL)	Master carton
OHEGBB	0.6kg (1.3lb)	17x35x13cm (6.7x13.8x5in)	16

TECHNICAL DRAWINGS

The indicated measurements are expressed in millimetres.



OHEGBB