

NXWBS1

WALL MOUNT BRACKET



DESCRIPTION

Heavy duty bracket with joint, made of AISI 316L thick gauge stainless steel. The rotation of the joint along the vertical and horizontal axes allows a wide range of positions. It is particularly suitable for stainless steel weather-proof housings. Can be combined with NXCOL and NXCW pole and corner mount adapters.

TECHNICAL DATA

MECHANICAL

Bracket for NTC, NXM36, NXM, NTM, NXW, NTW

Bracket for MVX, MVXT, MVXHD

Suitable for: NXCOL, NXCW

Made of AISI 316L electropolished stainless steel

Load rating: 45kg (99lb)

Dimensions: 371x186mm (14.6x7.3in)

Unit weight: 2.5kg (5.5lb)

PART NUMBER

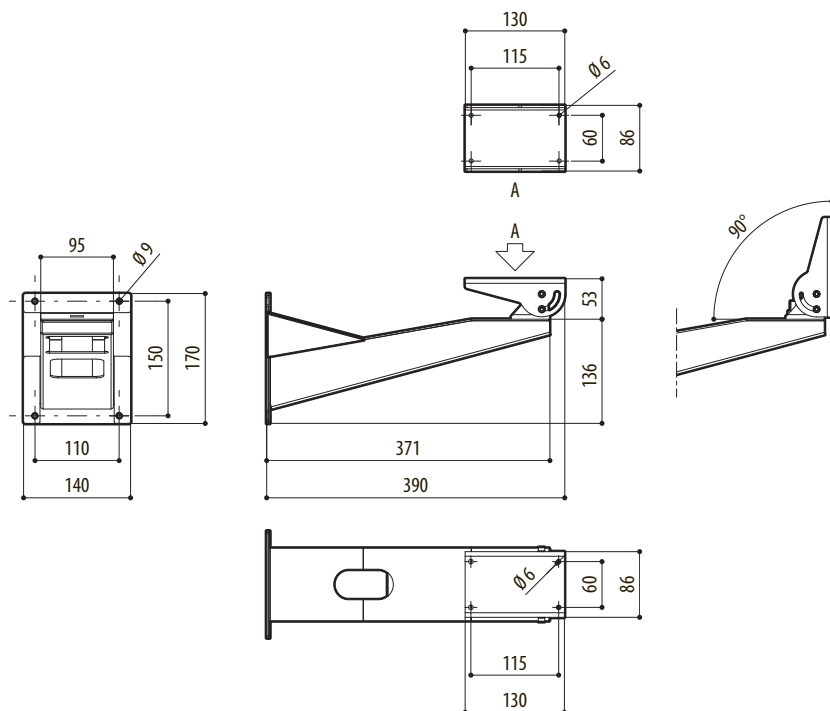
NXWBS1 AISI 316L stainless steel wall bracket with joint

PACKAGE

Model Number	Weight	Dimensions (WxHxL)	Master carton
NXWBS1	2.8kg (6.2lb)	16x18.5x46cm (6.3x7.3x18.1in)	8

TECHNICAL DRAWINGS

The indicated measurements are expressed in millimetres.



NXWBS1