

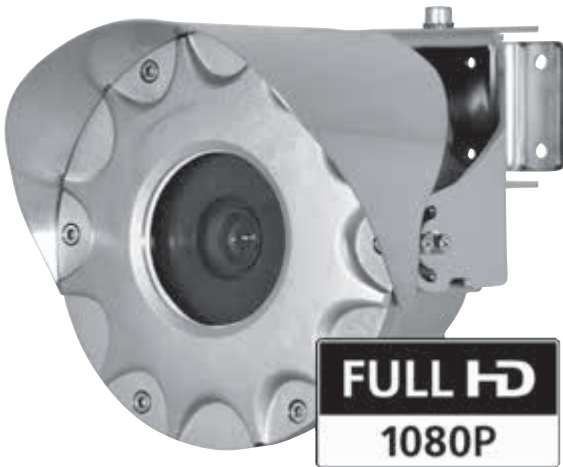
# MAXIMUS MMX

EX-PROOF FULL HD CAMERA IN A COMPACT DESIGN



IP66/IP67  
IP68/IP69

TYPE 4X  
TYPE 6P



- Certifications for use in Zones 1 and 2, IIB T6 or T5 Group (Gas) and in Zones 21 and 22, IIIC T85°C or T100°C Group (Dust)
- AISI 316L stainless steel construction
- Camera Full HD 1080p, 3x or 10x with image stabilizer

ONVIF® | Q S T



## MAXIMUM RESISTANCE IN THE MOST CRITICAL ENVIRONMENTS

The explosion-proof Full HD camera MAXIMUS MMX is perfect for efficient video surveillance and control of processes in hazardous environments where the atmosphere is potentially explosive due to the presence of inflammable gases or dust, typical of the Oil&Gas, marine or industrial and foodstuff sectors.

The housing is entirely manufactured in stainless steel AISI 316L offering complete resistance to corrosion. Thanks to its compactness (only 116mm) and contained weight (only 6.5 kg (14.3lb)), it can be installed in narrow locations typical of industrial or naval surroundings.

The IP66/IP67/IP68/IP69 level guarantees complete protection against bad weather and water immersion.

Another important feature of the camera is the extended certification temperature range of -40°C to 70°C.

The MAXIMUS MMX product with 10x Full HD camera is Lloyd's Register Type Approval System Test Specification Number 1 certified and therefore can be used in Marine and Offshore applications for environmental categories ENV1, ENV2, ENV3 and ENV5 (eg. passenger ships, open-air decks, closed spaces and technical areas that may be subject to heat generated by other equipment, potentially explosive areas, docking procedures).

## HIGH QUALITY IMAGE

The Full HD, 1080p camera, with 3x or 10x motorised zoom lens, offers multiple video streams (H.264/AVC, MJPEG, JPEG, MPEG4) and provides exceptional image quality, picking out every detail in a scene, even in the harshest environmental conditions. The cameras are equipped with a digital image stabiliser.

## 100% MADE IN VIDEOTECH

Videotec guarantees the extreme robustness and reliability of all its "all-in-one products" with hundreds of validation tests. Mechanics, electronics, positioning, networking, software and firmware are developed end-to-end by the internal Videotec team, with total know-how of all the network products offered.

At the heart of Videotec's product development is the concept of cyber-sustainability. To help customers protect their video surveillance systems and keep them secure, Videotec provides constant updates, training and support throughout the lifecycle of its products, regardless of how old the device is or whether it is still for sale.

## TECHNICAL DATA

### MECHANICAL

AISI 316L stainless steel construction

External shot peened and electro-polished surfaces

Sunshield

Supports for wall, ceiling or parapet installation

Unit weight:

- 6.5kg (14.3lb) (housing only + mounting bracket)
- 8.5kg (18.7lb) (housing with 4m (13ft) armoured multipolar cable)

### CABLE GLANDS

Cable entry: 1 hole, 1/2" NPT

Cable gland Ex d 1/2"NPT (with pre-installed cable only)

### HOUSING'S WINDOW

Material: Tempered glass

Usable diameter: 73.5mm (2.9in)

### ELECTRICAL

Supply voltage/Current consumption

- 24Vac  $\pm 10\%$ , 1.32A, 50/60Hz
- 24Vdc  $\pm 5\%$ , 0.9A
- PoE+ (IEEE 802.3at)

Power consumption:

- 21W (24Vac, 1.32A, 50/60Hz)
- 20W (24Vdc, 0.9A)
- 21W (PoE+)

Armoured cable

- External diameter: 16.8mm (0.66in) $\pm 0.4$ mm (0.016in)
- Diameter under armature: 12.4mm (0.5in) $\pm 0.3$ mm (0.012in)
- Colour: black RAL 9005

Armoured cable composition:

- 3x1.5mm<sup>2</sup> (15AWG)
- 4x2x0.22mm<sup>2</sup> (24AWG) (cat. 5E F/STP)

## NETWORK

Ethernet connection: 100 Base-TX

Connector: RJ45

## CYBERSECURITY

Digitally signed firmware

Password restricted access (HTTP digest)

Support of various user access levels

Control of accesses IEEE 802.1X

HTTPS cryptography using TLS1.0, TLS1.1, TLS1.2 and TLS1.3

Centralised certificate management

Complies with ONVIF Security Service specifications

## VIDEO

Video encoder

- Communication protocol: ONVIF, Profile Q, Profile S and Profile T
- Device configuration: TCP/IPv4-IPv6, UDP/IPv4-IPv6, HTTP, HTTPS, NTP, DHCP, WS-DISCOVERY, DSCP, IGMP (Multicast), SOAP, DNS
- Streaming: RTSP, RTCP, RTP/IPv4-IPv6, HTTP, Multicast
- Video compression: H.264/AVC, MJPEG, MPEG4, snapshot JPEG
- 3 independent video streams Full HD
- Image resolution: from 320x180pixel up to 1920x1080pixel in 8 steps
- Selectable frame rate from 1 to 60 images per second (fps)
- Web Server
- Motion Detection
- QoS: Differentiated DSCPs for streaming and device management
- SNMP and NTCIP protocols

## CAMERAS

### Day/Night Full HD 3x

Resolution: Full HD 1080p (1920x1080pixel)

Signal system: 1080p/30fps max

Image Sensor: 1/2" type Exmor™ CMOS sensor

Effective pixels: 2.17Megapixel

Minimum Illumination, colour (ICR-OFF):

- 0.15lx, (1/30s)
- 0.0375lx, (1/7.5s), (Slow Shutter)

Minimum Illumination, B/W (ICR-ON):

- 0.1lx, (1/30s)
- 0.002lx, (1/7.5s), (Slow Shutter)

Lens:

- From f= 3.6mm (wide) up to 10mm (tele)
- From F1.5 up to F2.7

Zoom: 3x (96x with digital zoom)

Horizontal Viewing Angle: From 88.4° (wide) up to 40.7° (tele)

Minimum object distance: to 300mm (11.8in) (wide) up to 1000mm (39.4in) (tele)

Shutter speed: From 1/8s up to 1/30000s, 14 steps

White balance: Auto, Indoor, Outdoor, Manual

Wide Dynamic Range: On/Off

Exposure Control: Auto, Manual, Iris priority, Shutter priority, Brightness

S/N Ratio: 50dB

De-fog: On/Off, Auto, Manual

Privacy zones masking: maximum 8 settable masks

Backlight Compensation

Digital image stabilization: On/Off

### Day/Night Full HD 10x

Resolution: Full HD 1080p (1920x1080pixel)

Signal system: 1080p/60fps max

Image Sensor: 1/3" CMOS sensor

Effective pixels: 2.48Megapixel

Minimum Illumination, colour (ICR-OFF):

- 0.5lx IRE 50%
- 0.125lx IRE 50% (Slow Shutter)

Minimum Illumination, B/W (ICR-ON):

- 0.1lx IRE 50%
- 0.025lx IRE 50% (Slow Shutter)

Lens:

- From f= 5.1mm (wide) up to 51mm (tele)
- From F1.6 up to F1.8

Zoom: 10x (320x, with digital zoom)

Horizontal Viewing Angle: from 54° (wide) up to 4.9° (tele)

Minimum object distance: from 100mm (3.9in) (wide) up to 1000mm (39.4in) (tele)

Shutter speed: from 1/8s up to 1/30000s, 14 steps

White balance: Auto, Indoor, Outdoor, Manual

Wide Dynamic Range: On/Off, Light level

Exposure Control: Auto, Manual, Shutter priority, Iris priority, Brightness

S/N Ratio: 50dB

De-fog: Off, Auto, Manual

Privacy zones masking: maximum 8 settable masks

Backlight Compensation

Digital image stabilization: On/Off

## ENVIRONMENT

For indoors and outdoors installation

Certification temperature: from -40°C (-40°F) up to +65°C (149°F) (T6/T85°C) or +70°C (158°F) (T5/T100°C)

Operating temperature:

- Continuous working: from -40°C (-40°F) up to +65°C (149°F)
- Temperature test complies with NEMA-TS 2-2003 (R2008) par. 2.1.5.1, test profile fig. 2-1 (from -34°C (-29.2°F) to +74°C (165.2°F)) (only for models with Day/Night camera 10X zoom, FullHD)
- De-icing function intervention (cold start): from -40°C (-40°F) up to -10°C (14°F)

Relative humidity: from 5% up to 95%

## CERTIFICATIONS

Electrical safety (CE): EN60950-1, IEC60950-1, EN62368-1, IEC62368-1
Electromagnetic compatibility (CE): EN61000-6-4, EN61000-3-2, EN61000-3-3, EN50130-4, EN55032 (Class A)
RoHS (CE): EN IEC 63000
Outdoor installation (CE): EN60950-22, IEC60950-22
IP protection degree (EN/IEC60529): IP66, IP67, IP68 (2 hours, 5m (16ft)), IP69
Vibration test: EN50130-5, EN60068-2-6
UL certification (UL60950-1, CAN/CSA C22.2 No. 60950-1-07, UL62368-1 CAN/CSA C22.2 No. 62368-1-14): cULus Listed
Electromagnetic compatibility (North America): FCC part 15 (Class A), ICES-003 (Class A)
Level of protection Type (UL50E): 4X, 6P
BIS certification: IS 13252 (PART 1)/IEC60950-1 (certification only valid for the code: MMX2D0ZA)
RCM (Australian and New Zealand Regulatory Compliance Mark)
NDAA-compliant

## CERTIFICATIONS - EXPLOSION-PROOF APPLICATIONS

ATEX (EN IEC 60079-0, EN 60079-1, EN 60079-31)
IECEX (IEC 60079-0, IEC 60079-1, IEC 60079-31)
EAC EX (TR CU 012/2011)
INMETRO (ABNT NBR IEC 60079-0, ABNT NBR IEC 60079-1, ABNT NBR IEC 60079-31)
KCs (Employment and labor department 2021-22)
UL listed for USA (UL 60079-0, UL 60079-1, UL 60079-31)
UL listed for Canada (CAN/CSA-C22.2 NO. 60079-0, CAN/CSA-C22.2 NO. 60079-1, CAN/CSA-C22.2 NO. 60079-31)
UK Ex (EN IEC 60079-0, EN 60079-1, EN 60079-31)
<i>For further details on certifications and markings, consult the relevant table.</i>

## CERTIFICATIONS - MARINE APPLICATIONS

Lloyd's Register Marine Type Approval certification (only for models with Day/Night camera 10X zoom, FullHD): <ul style="list-style-type: none"><li>• Test Specification Number 1 (ENV1, ENV2, ENV3, ENV5)</li></ul>
Electromagnetic compatibility: EN60945
Salty fog resistance: EN60068-2-52
Tested at 70°C (158°F) for 16 hours in compliance with EN60068-2-2

## ACCESSORIES

CMAN0401	Armoured black cable, available by the metre (minimum order 10m (32.8ft)): 1 Ethernet cable, 3 power supply conductors
CMSN0400	Unarmoured multipolar black cable, available by the metre (minimum order 10m (32.8ft)): 1 Ethernet cable, 3 power supply wires
MBX1MAA	Explosion-proof communication box in stainless steel, IN 230Vac, with EMC filter for marine certification
MBX2MAA	Explosion-proof communication box in stainless steel, IN 24Vac, with EMC filter for marine certification
MBX3MAA	Explosion-proof communication box in stainless steel, IN 120Vac, with EMC filter for marine certification
MBA155A	Explosion-proof communication box in aluminium, IN 230Vac
MBA255A	Explosion-proof communication box in aluminium, IN 24Vac
MBA355A	Explosion-proof communication box in aluminium, IN 120Vac
OCTEXB1/2P	Barrier cable gland in nickel-plated brass EX 1/2" NPT, unarmoured cable IECEx-ATEX-EAC Ex
OCTEXBA1/2P	Barrier cable gland in nickel-plated brass EX 1/2" NPT, armoured cable IECEx-ATEX-EAC Ex
OCTEX1/2C	Cable gland in nickel-plated brass EX 1/2" NPT unarmoured cable IECEx-ATEX-EAC Ex
OCTEXA1/2C	Cable gland in nickel-plated brass EX 1/2" NPT armoured cable IECEx-ATEX-EAC Ex
OCTEXS1/2C	Cable gland in nickel-plated brass EX 1/2" NPT, unarmoured cable IECEx-ATEX-EAC Ex

*For further details about cable glands part numbers, please refer to the relevant table.*

*For further details on cable codes please refer to the relevant datasheet.*

## BRACKETS AND ADAPTORS

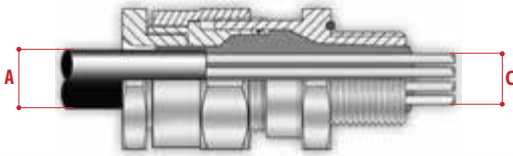
MMXCWCOL	Pole and corner adaptor module in stainless steel AISI 316L
----------	---

## PACKAGE

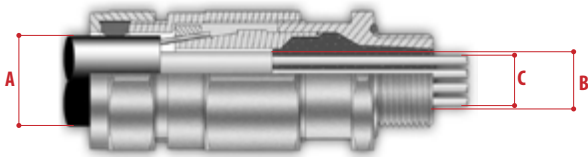
Model Number	Weight	Dimensions (WxHxL)	Master carton
MMX2D0ZA	8kg (18lb)	32.5x19x23cm (12.8x7.5x9in)	2
MMX2DAZA	11kg (24.2lb)	64x20.8x59cm (25.2x8.2x23.2in)	-
MMX2DBZA	14kg (31lb)	64x20.8x59cm (25.2x8.2x23.2in)	-

**CABLE GLANDS AND ACCESSORIES 1/2" NPT**

Type	Certification	Operating temperature	Cable	Model Number	Maximum diameter of the external sheath (A)	Maximum diameter of the internal sheath (B)	Maximum diameter of the conductors bundle (C)
Barrier cable gland	IECEX/ATEX/EAC Ex	-60°C (-76°F) / +135°C (+275°F)	Unarmoured cable	OCTEXB1/2P	14.0mm (0.55in)	-	12.5mm (0.5in)
			Armoured cable	OCTEXBA1/2P	15.5 - 21.1mm (0.61-0.83in)	14mm (0.6in) max	12.5mm (0.5in)
Cable gland with gasket	IECEX/ATEX/EAC Ex	-60°C (-76°F) / +100°C (+212°F)	Unarmoured cable	OCTEX1/2C	3.2 - 8.0mm (0.12-0.31in)	-	-
			Unarmoured cable	OCTEXS1/2C	6.5 - 11.9mm (0.26 - 0.47in)	-	-
			Armoured cable	OCTEXA1/2C	12.5 - 20.5mm (0.49 - 0.8in)	10 - 14.3mm (0.4 - 0.56in)	-
Plug EX 1/2"NPT	IECEX/ATEX/EAC Ex	-100°C (-148°F) / +400°C (+752°F)	-	OEXPLUG1/2P	-	-	-



Barrier cable gland with unarmoured cable



Barrier cable gland with armoured cable



Cable gland with gasket with unarmoured cable



Cable gland with gasket with armoured cable

MAXIMUS MMX - CERTIFICATIONS AND MARKINGS (WITH CABLE)			
Certification	Marking	Ambient temperature	Cable input temperature
ATEX	⊕ II 2 G Ex db IIB T6...T5 Gb ⊕ II 2 D Ex tb IIIC T85°C...T100°C Db	-40°C ≤ Ta ≤ +65°C or +70°C	+83.2°C with Ta ≤ +65°C +88.2°C with Ta ≤ +70°C
IECEX	Ex db IIB T6...T5 Gb Ex tb IIIC T85°C...T100°C Db		
EAC Ex	1Ex db IIB T6...T5 Gb X Ex tb IIIC T85°C...T100°C Db X		
INMETRO	Ex db IIB T6...T5 Gb Ex tb IIIC T85 °C...T100 °C Db		
UK Ex	⊕ II 2 G Ex db IIB T6...T5 Gb ⊕ II 2 D Ex tb IIIC T85°C...T100°C Db		

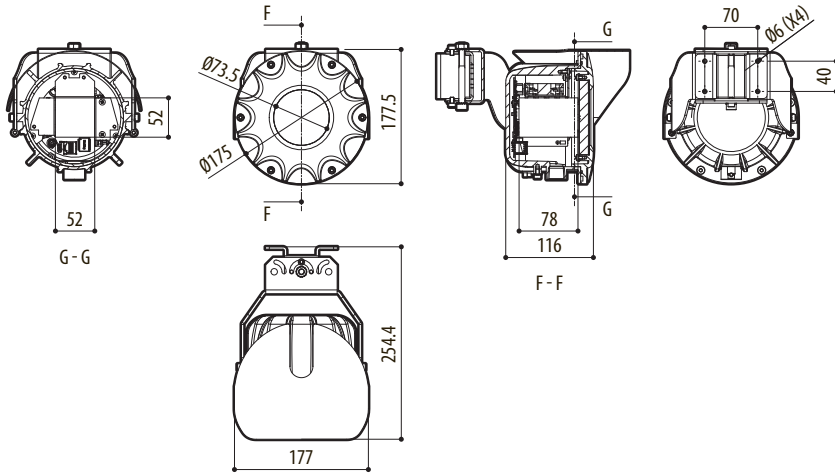
MAXIMUS MMX - CERTIFICATIONS AND MARKINGS (WITHOUT CABLE)			
Certification	Marking	Ambient temperature	Cable input temperature
ATEX	⊕ II 2 G Ex db IIB T6...T5 Gb ⊕ II 2 D Ex tb IIIC T85°C...T100°C Db	-40°C ≤ Ta ≤ +65°C or +70°C	+83.2°C with Ta ≤ +65°C +88.2°C with Ta ≤ +70°C
IECEX	Ex db IIB T6...T5 Gb Ex tb IIIC T85°C...T100°C Db		
EAC Ex	1Ex db IIB T6...T5 Gb X Ex tb IIIC T85°C...T100°C Db X		
KCs	Ex db IIB T6...T5 Gb Ex tb IIIC T85°C...T100°C Db		
INMETRO	Ex db IIB T6...T5 Gb Ex tb IIIC T85 °C...T100 °C Db		
Hazardous Location America	Class I, Zone 1, AEx db IIB T6...T5 Gb Zone 21, AEx tb IIIC T85°C...T100°C Db Class I, Div 2 Group C, D T6...T5 Class II, Div 2, Group F and G T6...T5		
Hazardous Location Canada	Ex db IIB T6...T5 Gb X Ex tb IIIC T85°C...T100°C Db X Class I, Div 2 Group C, D T6...T5 Class II, Div 2, Group F and G T6...T5		
UK Ex	⊕ II 2 G Ex db IIB T6...T5 Gb ⊕ II 2 D Ex tb IIIC T85°C...T100°C Db		

MAXIMUS MMX - CONFIGURATION OPTIONS					
	Voltage	Camera	Connections	Video Output	ONVIF Profiles
<b>MMX</b>	<b>2</b> 24Vdc/ 24Vac, PoE+	<b>4</b> Day/Night camera 3X zoom, FullHD	<b>0</b> Without cable, without cable gland	<b>Z</b> IP	<b>A</b> Complies with ONVIF, Profile Q, Profile S and Profile T
		<b>D</b> Day/Night camera 10X zoom, FullHD	<b>A</b> Cable gland Ex d 1/2" NPT and 4m (13ft) armoured cable		<b>J</b> Complies with ONVIF, Profile S and Profile T
			<b>B</b> Cable gland Ex d 1/2" NPT and 10m (32.8ft) armoured cable		

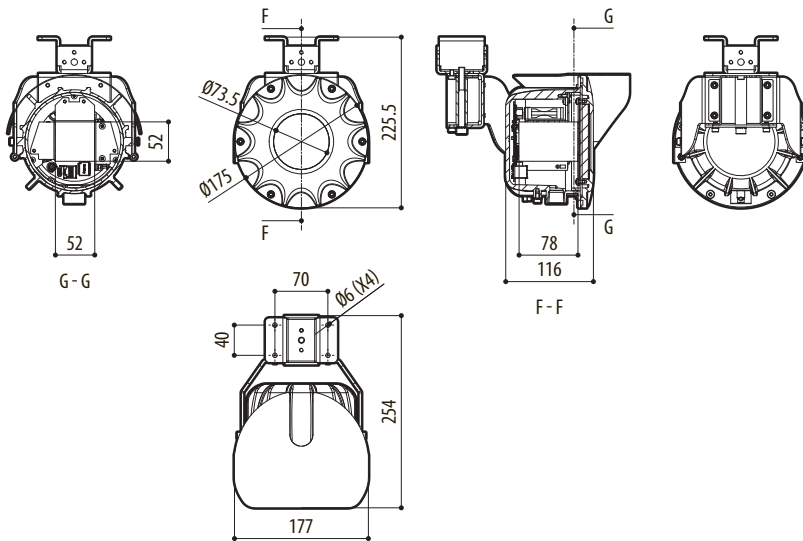
## TECHNICAL DRAWINGS

The indicated measurements are expressed in millimetres.

### WALL MOUNTING



### PARAPET OR CEILING MOUNTING



MAXIMUS MMX