

EXBJ

JOINT FOR THE COLUMN MOUNT OF HOUSINGS OF EXHC FAMILY



DESCRIPTION

Joint for the column mount of ex-proof housings of EXHC family. Constructed from anticorrosive aluminium alloy.

TECHNICAL DATA

MECHANICAL

Solid, anticorrosive aluminium construction
Unit weight: 2.9kg (6.4lb)

PART NUMBER

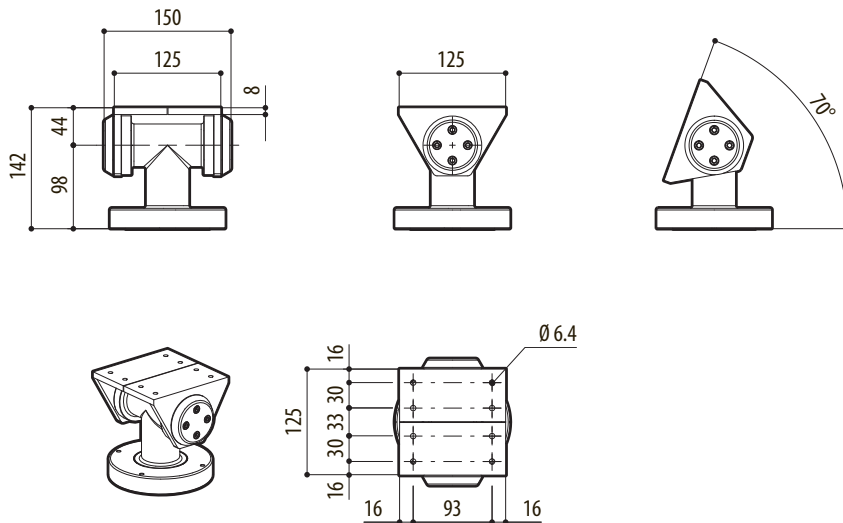
EXBJ000 Only ball joint for EXH RAL7032 housings

PACKAGE

Model Number	Weight	Dimensions (WxHxL)	Master carton
EXBJ000	3.2kg (7.1lb)	16x21x12cm (6.3x8.3x4.7in)	-

TECHNICAL DRAWINGS

The indicated measurements are expressed in millimetres.



EXBJ