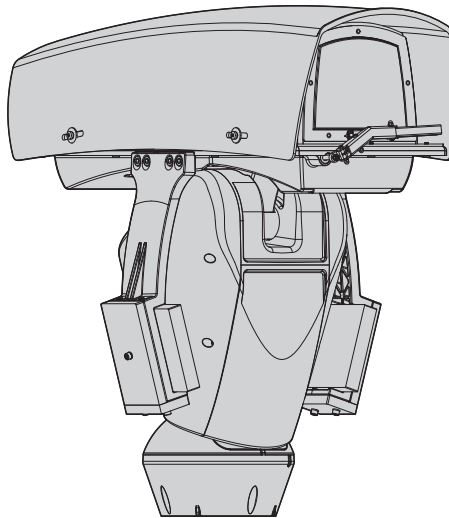




# ULISSE RADICAL

Top performance long range HD PTZ camera



**EN** English - Instruction manual

**IT** Italiano - Manuale di istruzioni

**FR** Français - Manuel d'instructions

**DE** Deutsch - Bedienungsanleitung

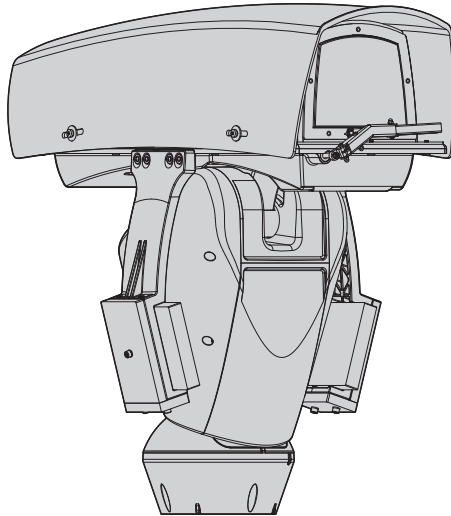
**RU** Русский - Руководство по эксплуатации





# ULISSE RADICAL

Top performance long range HD PTZ camera







# Contents

<b>1 About this manual</b> .....	<b>5</b>
1.1 Typographical conventions .....	5
<b>2 Notes on copyright and information on trademarks</b> .....	<b>5</b>
<b>3 Safety rules</b> .....	<b>5</b>
<b>4 Identification</b> .....	<b>8</b>
4.1 Product description and type designation .....	8
4.2 Product marking .....	8
4.2.1 Checking the markings.....	8
<b>5 Versions</b> .....	<b>9</b>
5.1 LED illuminator.....	9
<b>6 Preparing the product for use</b> .....	<b>9</b>
6.1 Safety precautions before use .....	9
6.2 Unpacking.....	10
6.2.1 Removal of the protective packaging.....	10
6.2.1.1 Housing opening.....	10
6.2.1.2 Remove the protective packaging.....	10
6.3 Contents .....	11
6.4 Safely disposing of packaging material .....	11
6.5 Preparatory work before installation.....	11
6.5.1 Mounting the bracket .....	11
6.5.2 Cables management.....	11
<b>7 Installation</b> .....	<b>12</b>
7.1 Connection of the cables to the base .....	12
7.2 Fixing the base to the support .....	13
7.3 Connector board description.....	13
7.4 Connection of the power supply line.....	14
7.4.1 24Vac power line connection.....	14
7.4.2 120Vac and 230Vac power line connection .....	15
7.4.3 Connection of the alarm inputs, of the twilight switch and of the relays .....	15
7.5 Connection of the Ethernet cable .....	16
7.6 Fixing the upper body .....	16
7.7 Counterweights installation .....	16
7.8 LED illuminators installation.....	17
7.8.1 Counterweight removal .....	17
7.8.2 Fitting the illuminator on the bracket.....	17
7.9 Connection of the LED illuminators.....	18
7.10 LED illuminator activation and adjustment instructions.....	18
7.10.1 Description of the LED illuminator.....	18
7.10.2 LED illuminator switching on threshold adjustment .....	19
7.10.3 LED illuminator power adjustment.....	19
7.11 Fastening of the wiper blade.....	20
<b>8 Switching on</b> .....	<b>20</b>

<b>9 Configuration</b> .....	<b>21</b>
9.1 Web interface.....	21
9.1.1 Home Page.....	21
9.1.2 User Controls page.....	22
9.1.3 Device Parameters Page.....	23
9.1.4 Device Statistics Page.....	24
9.1.5 Network Configuration page.....	24
9.1.6 User Configuration page.....	25
9.1.7 Motion Parameters Page.....	25
9.1.7.1 Autopan Page.....	26
9.1.7.2 Patrol Page.....	26
9.1.7.3 Motions Recall Page.....	26
9.1.8 Preset Parameters page.....	26
9.1.9 Preset Parameters page (Advanced).....	26
9.1.10 Digital I/O Page.....	27
9.1.11 Washer page.....	27
9.1.12 Camera Settings page.....	28
9.1.13 Tools Page.....	28
9.1.14 Factory Default.....	29
9.2 VTTunnel.....	30
9.3 Camera.....	30
<b>10 Accessories</b> .....	<b>31</b>
10.1 Washer.....	31
10.1.1 Washing system connection.....	31
10.2 Wall mount bracket.....	32
10.3 Parapet bracket.....	32
10.4 Power supply with illuminator control.....	32
<b>11 Maintenance</b> .....	<b>33</b>
11.1 Fuses replacement.....	33
<b>12 Cleaning</b> .....	<b>33</b>
12.1 Cleaning the window and plastic parts.....	33
<b>13 Information on disposal and recycling</b> .....	<b>34</b>
<b>14 Troubleshooting</b> .....	<b>34</b>
<b>15 Technical data</b> .....	<b>35</b>
15.1 General.....	35
15.2 Mechanical.....	35
15.3 Electrical.....	35
15.4 Communications.....	35
15.5 Cameras.....	36
15.6 Lenses.....	36
15.7 Environment.....	36
15.8 Certifications.....	36
<b>16 Technical drawings</b> .....	<b>37</b>

# 1 About this manual

Read all the documentation supplied carefully before installing and using this product. Keep the manual in a convenient place for future reference.

## 1.1 Typographical conventions



### **DANGER!**

**High level hazard.**

**Risk of electric shock. Disconnect the power supply before proceeding with any operation, unless indicated otherwise.**



### **DANGER!**

**Hot surface.**

**Avoid contact. Surfaces are hot and may cause personal injury if touched.**



### **DANGER!**

**Mechanical hazard.**

**Risk of crushing or shearing.**



### **CAUTION!**

**Medium level hazard.**

**This operation is very important for the system to function properly. Please read the procedure described very carefully and carry it out as instructed.**



### **INFO**

**Description of system specifications. We recommend reading this part carefully in order to understand the subsequent stages.**

## 2 Notes on copyright and information on trademarks

The mentioned names of products or companies are trademarks or registered trademarks.

ONVIF® is a trademark of Onvif, Inc.

## 3 Safety rules



**CAUTION! The electrical system to which the unit is connected must be equipped with a 20A max automatic bipolar circuit breaker. This circuit breaker must be of the Listed type. The minimum distance between the circuit breaker contacts must be 3mm (0.1in). The circuit breaker must be provided with protection against the fault current towards the ground (differential) and the overcurrent (magnetothermal).**



**CAUTION! Hazardous moving parts. Keep fingers and other body parts away.**



**CAUTION! Device installation and maintaining must be performed by specialist technical staff only.**



**CAUTION! For continued protection against risk of fire, replace only with same type and rating of fuse. Fuses must be replaced only by service personnel.**



**CAUTION! TNV-1 installation type. The installation is type TNV-1, do not connect it to SELV circuits.**



**CAUTION! In order to reduce the risk of fire, only use UL Listed or CSA certified cables with sections greater than or equal to 0.14mm<sup>2</sup> (26AWG).**

- The manufacturer declines all responsibility for any damage caused by an improper use of the appliances mentioned in this manual. Furthermore, the manufacturer reserves the right to modify its contents without any prior notice. The documentation contained in this manual has been collected and verified with great care. The manufacturer, however, cannot take any liability for its use. The same thing can be said for any person or company involved in the creation and production of this manual.

- Before starting any operation, make sure the power supply is disconnected.
- Be careful not to use cables that seem worn or old.
- Never, under any circumstances, make any changes or connections that are not shown in this handbook. Improper use of the appliance can cause serious hazards, risking the safety of personnel and of the installation.
- Use only original spare parts. Non-original spare parts could cause fire, electrical discharge or other hazards.
- Before proceeding with installation, check the supplied material to make sure it corresponds to the order specification by examining the identification labels (4.2 Product marking, page 8).
- Installation category (also called Overvoltage Category) specifies the level of mains voltage surges that the equipment will be subjected to. The category depends upon the location of the equipment, and on any surge voltage protection provided. Equipment in an industrial environment, directly connected to major feeders/short branch circuits, is subjected to Installation Category III. If this is the case, a reduction to Installation Category II is required. This can be achieved by use of an insulating transformer with an earthed screen between primary and secondary windings, or by fitting UL listed Surge Protective Devices (SPDs) from live to neutral and from neutral to earth. Listed SPDs shall be designed for repeated limiting of transient voltage surges and the following rated operation conditions: Type 2 (SPDs permanently connected to the power network and intended for installation on the load side of the service equipment); Nominal Discharge Current (In) 20kA min. For example: FERRAZ SHAWMUT, STT2240SPG-CN, STT2BL240SPG-CN rated 120Vac/240Vac, (In=20kA). Maximum distance between installation and reduction is 5m.
- This device was designed to be permanently secured and connected on a building or on a suitable structure. The device must be permanently secured and connected before any operation.
- A power disconnect device must be included in the electrical installation, and it must be very quickly recognizable and operated if needed.
- The separate protective earthing terminal provided on this product shall be permanently connected to earth.
- Connect the device to a power source corresponding to the indications given on the marking label. Before proceeding with installation make sure that the power line is properly isolated. The supply voltage should never exceed the limit ( $\pm 10\%$ ).
- Power supply must be provided with a SELV type, 24Vac, 8A isolated source derived from a double isolation UL Listed transformer specially protected in output.
- The appliance includes moving parts. Make sure that the unit is positioned where it is inaccessible under normal operating conditions.
- Attach the Dangerous Moving Parts label near the device. (Fig. 3, page 9).
- Do not use the appliance in the presence of inflammable substances.
- To connect the power supply line use the appropriate junction-box (UPTJBUL). For further information, refer to the product use and installation manual.

- Do not allow children or unauthorised people to use the appliance.
- Only skilled personnel should carry out maintenance on the device. When carrying out maintenance, the operator is exposed to the risk of electrocution and other hazards.
- Use only the accessories indicated by the manufacturer. Any change that is not expressly approved by the manufacturer will invalidate the guarantee.
- Before connecting all the cables make sure the device is properly connected to the earth circuit.
- If the device has to be removed from the installation, always disconnect the earth cable last.
- Take all necessary precautions to prevent the apparatus from being damaged by electrostatic discharge.
- The unit has been made for connection using a 3-pole cable. To make a correct connection to the earth circuit, follow the instructions in this handbook.
- Handle the unit with great care, high mechanical stress could damage it.
- Make especially sure that the power supply line is insulated at a sufficient distance from all the other cables, including lightning protection devices.
- If it is necessary to transport the device, this should be done with great care. Abrupt stops, bumps and violent impact could damage the unit or injure the user.

## 4 Identification

### 4.1 Product description and type designation

ULISSE RADICAL is the first PTZ Full HD Videotec network system ready for use that integrates exceptional lens and pre-configured camera combinations, Full HD 1080p, 60fps and CMOS 1/2.8" sensors, for night and day broadcast quality video in extensive outdoor areas.

To meet more specific video surveillance needs, the PTZ unit is equipped with a 33x lens with advanced autofocus which allows and automatically maintains focus on a subject that is very far away with clear details.

ULISSE RADICAL is certified ONVIF Profile S and is compatible with most VMS on the market.

The Videotec's PTZ ASSISTANT plug-in software supports any VMS with the control of all special functions such as wiper, washer pump, IR and Auto Focus.

Powerful motors guarantee exceptionally smooth tracking, even at a minimum speed of 0.02°/sec.

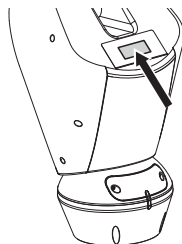
The performance remains optimal in complete darkness thanks to powerful LED illuminators that can reach distances of over 300m (985ft) with two UPTIRN illuminators (10°, 850nm).

ULISSE RADICAL with 33x zoom features a Thermal Compensation System and a Visible Cut Filter.

Due to its characteristics of accuracy, reliability and robustness, this PTZ camera is the ideal solution for the visual control of large outdoor areas, such as: border patrol, harbour surveillance, long distance perimeter surveillance, traffic and highway control, military installations.

## 4.2 Product marking

**i** The product has a label applied in compliance with CE marking.



**Fig. 1**

The label shows:

- Model identification code (Extended 3/9 bar code).
- Supply voltage (Volt).
- Frequency (Hertz).
- Current consumption (Amps).
- Protection degree (IP).
- Serial number.

### 4.2.1 Checking the markings

Before proceeding further with installation, make sure the material supplied corresponds to the order specification by examining the marking labels.

Never, under any circumstances, make any changes or connections that are not shown in this handbook. Improper use of the appliance can cause serious hazards, risking the safety of personnel and of the installation.

## 5 Versions

### 5.1 LED illuminator

 The version with LED illuminators can only be powered at 24Vac.

The pan & tilt can be fitted with bracket for 2 VIDEOTEC LED illuminators for night surveillance (illuminators not included).

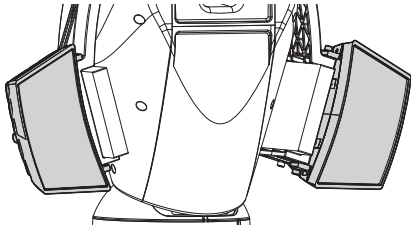





Fig. 2


 For further information refer to the relative chapter (7.8 LED illuminators installation, page 17).

## 6 Preparing the product for use

 Any change that is not expressly approved by the manufacturer will invalidate the guarantee.

 The product must not be dismantled or tampered with. The only exceptions are those concerning the assembly and maintenance operations stipulated in this manual.

### 6.1 Safety precautions before use

 The appliance includes moving parts. Make sure that the unit is positioned where it is inaccessible under normal operating conditions. Attach the warning label supplied with the appliance, placing it near the unit so that it can be seen easily.



**ATTENZIONE!**  
Parti mobili pericolose. Non avvicinare dita e altre parti del corpo.

**WARNING!**  
Hazardous moving parts. Keep fingers and other body parts away.

**AVERTISSEMENT!**  
Parties mobiles dangereuses. Ne pas approcher les doigts au d'autres parties du corps.

**ACHTUNG!**  
Gefährliche bewegliche Teile. Finger und andere Körperteile fernhalten.

Fig. 3

## 6.2 Unpacking

When the product is delivered, make sure that the package is intact and that there are no signs that it has been dropped or scratched.

If there are obvious signs of damage, contact the supplier immediately.

When returning a faulty product we recommend using the original packaging for shipping.

Keep the packaging in case you need to send the product for repairs.

**i** Unpack the sunshield of the device, taking care not to damage the housing.

### 6.2.1 Removal of the protective packaging

Remove the protective packaging before installing the device.

#### 6.2.1.1 Housing opening

Loosen the leak-proof screws placed on the sides and lift the upper part of the housing.

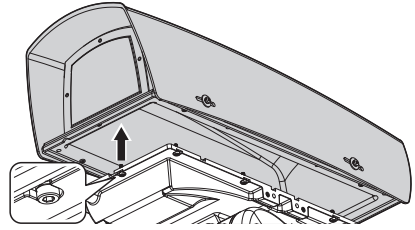


Fig. 4

**i** First of all tighten the two central screws as shown in figure.

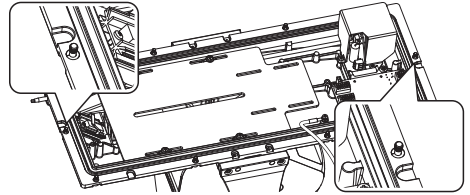


Fig. 5

**i** After installation and wiring, close the product.

#### 6.2.1.2 Remove the protective packaging

Open the housing and remove the protective packaging.

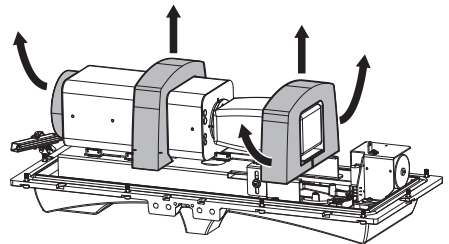


Fig. 6



## 6.3 Contents

Check the contents to make sure they correspond with the list of materials as below:

- Positioning unit
- Power supply base
- Accessories package:
  - Serial adaptor
  - Serial extension cable
  - Allen wrenches
  - Spacers
  - Label
  - Cable ties
  - Ferrite
  - Silicone sheath
  - Reduction gaskets for cable glands
  - Instruction manual
  - Attachment plate for desiccant bag
  - Bolts and screws
- Counterweights package:
  - Counterweights
  - Counterweights brackets
- Sunshield
- Tool kit for washing system mounting (WASPT):
  - Nozzle support with screws (nozzle and pipes are included in the washing kit)

## 6.4 Safely disposing of packaging material

The packaging material can all be recycled. The installer technician will be responsible for separating the material for disposal, and in any case for compliance with the legislation in force where the device is to be used.

## 6.5 Preparatory work before installation

### 6.5.1 Mounting the bracket



**For installations subject to vibrations, only use the parapet bracket.**

Different types of supports are available (10 Accessories, page 31). Choose a suitable bracket for the installation and follow all the instructions in the suggested chapter.



**Take special care when attaching and fastening down the apparatus. The fastening system must be capable of supporting at least 4 times the weight of the entire equipment.**



**The device should be assembled vertically. Any other position could impair the performance of the appliance.**



**Do not attach the device upside down.**

### 6.5.2 Cables management



**The connection cables should not be accessible from the outside.**



**The cables must be adequately fastened to the structure to avoid the excessive weight causes accidental removal.**



**You must use cables suited to the type of installation.**

Insert the cables into the support so that they protrude by about 50cm.

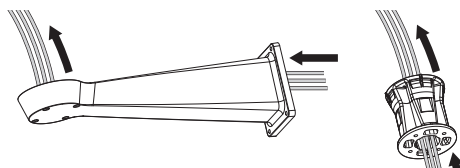


Fig. 7

## 7 Installation



Never, under any circumstances, make any changes or connections that are not shown in this handbook. Failure to follow the connection instructions that are given in the handbook may create serious safety hazards for people and for the installation.



Do not change the wiring in the product as it is supplied to you. Failure to follow this instruction may create serious safety hazards for people and for the installation, and will also invalidate the guarantee.



If using the washer kit, the nozzle support should be installed before positioning the pan & tilt and the wiring. For further explanations see the specific handbook for the kit.

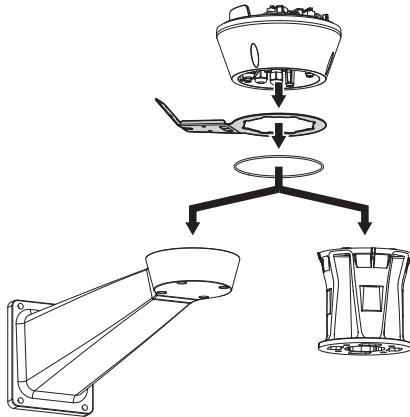


Fig. 8



Inside the bottom cover there is a desiccant bag that is used to prevent moisture formation in the base and near the connector boards. Remove the bag before installation.

### 7.1 Connection of the cables to the base

Insert the cables into the cable glands holding the base at about 20cm from the support. Tighten the cable glands. The cable glands are suitable for cables with a diameter between 5mm and 10 mm.

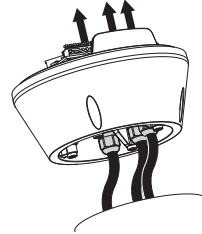


Fig. 9



Pay attention to the fixing. Tightening torque: 5Nm.



For cables diameter from 3mm to 7mm use the supplied gaskets.

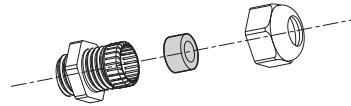


Fig. 10

## 7.2 Fixing the base to the support



**Use the screws and the washers supplied with the base.**

Once you have positioned the gasket (01), fix the base (02) onto the bracket (03) with screws (04), serrated washers (05) and screw rings (06).

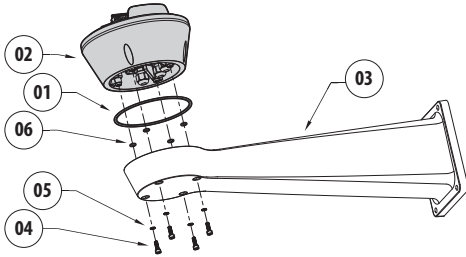


Fig. 11

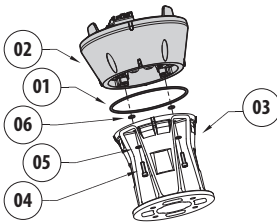


Fig. 12

Align the 3 notches on the base with those on the support as shown in the following figure.

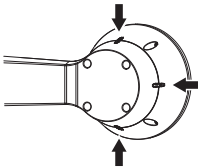


Fig. 13



**Put some thread-locker into the holes for screws (Loctite 243®).**



**Pay attention to the fixing. Tightening torque: 6Nm.**

## 7.3 Connector board description

### CONNECTOR BOARD DESCRIPTION

Connector/ Component	Function
CN1	Power supply for the board
CN4	Signal cables
Ethernet	Ethernet
F1	Fuse
F2	Fuse

Tab. 1

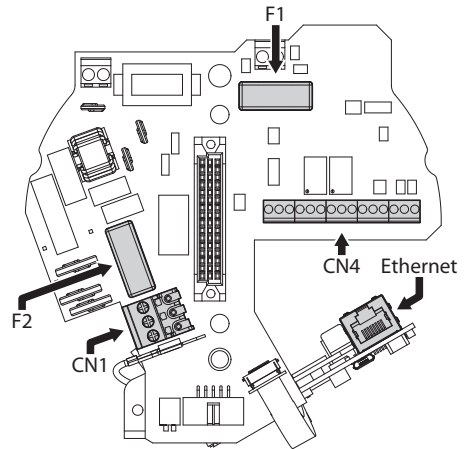


Fig. 14

## 7.4 Connection of the power supply line

Depending on the version, the device can be provided with different power supply voltages. The power supply voltage is indicated on the product identification label. (4.2 Product marking, page 8).

**⚠ Electrical connections must be performed with the power supply disconnected and the circuit-breaker open.**

**⚠ When commencing installation make sure that the specifications for the power supply for the installation correspond with those required by the device.**

**⚠ Check that the power supply socket and cable are adequately dimensioned.**

**⚠ Earth cable should be about 10mm longer than the other two, so that it will not be disconnected accidentally if pulled.**

**⚠ The power supply cable must be covered by the silicone sheath (01) supplied. The silicone sheath must be fastened with the corresponding cable tie (02).**

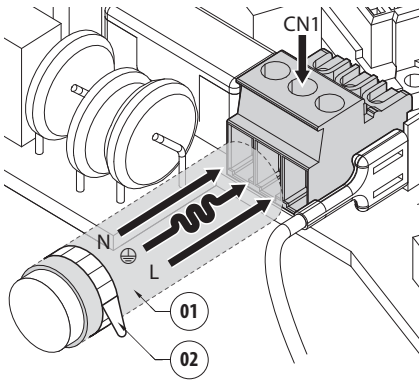


Fig. 15

### 7.4.1 24Vac power line connection

Cut the cables to the correct length and make the connections. Connect the power supply to the terminal: CN1.

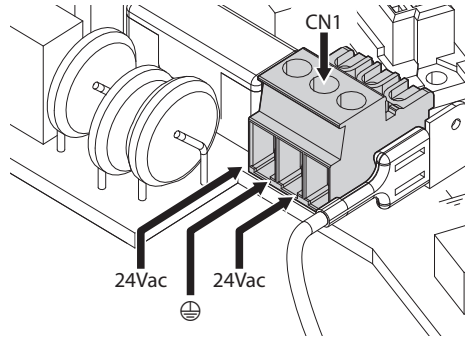


Fig. 16

Connect the power supply cables as described in the table below.

CONNECTION OF THE POWER SUPPLY LINE	
Colour	Terminals
Power supply 24Vac	
Defined by the installer	24Vac
Defined by the installer	24Vac
Yellow/Green	⊕

Tab. 2

## 7.4.2 120Vac and 230Vac power line connection

Cut the cables to the correct length and make the connections. Connect the power supply to the terminal: CN1.

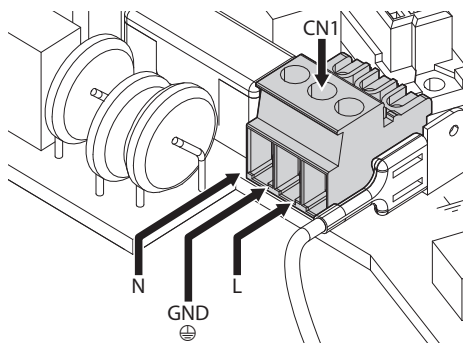


Fig. 17

Connect the power supply cables as described in the table below.

CONNECTION OF THE POWER SUPPLY LINE	
Colour	Terminals
Power supply 230Vac	
Blue	N (Neutral)
Brown	L (Phase)
Yellow/Green	⊕
Power supply 120Vac	
Blue	N (Neutral)
Brown	L (Phase)
Yellow/Green	⊕

Tab. 3

## 7.4.3 Connection of the alarm inputs, of the twilight switch and of the relays

**⚠ CAUTION! TNV-1 installation type. The installation is type TNV-1, do not connect it to SELV circuits.**

**⚠ CAUTION! In order to reduce the risk of fire, only use UL Listed or CSA certified cables with sections greater than or equal to 0.14mm<sup>2</sup> (26AWG).**

### Standard version

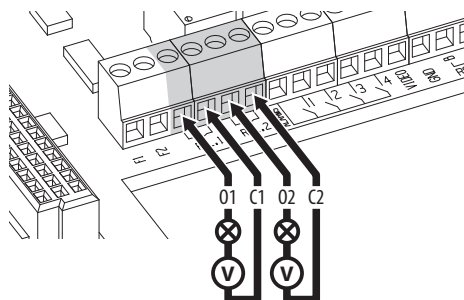


Fig. 18 Relay contact connection.

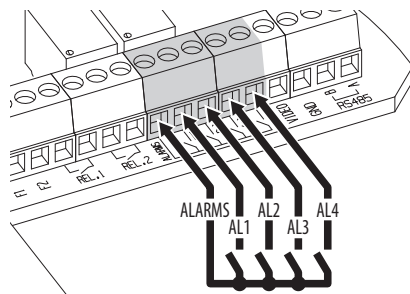


Fig. 19 Alarms connection.

### Version with LED illuminators

CONNECTION OF THE ALARM INPUTS, OF THE TWILIGHT SWITCH AND OF THE RELAYS	
AL1, AL2, AL3, AL4 e ALARMS	Self-powered alarm inputs referring to the ALARMS common terminal
O1-C1 e O2-C2	Clean output contacts, can be activated by alarm or by user control

Tab. 4

**i** Connect the dusk switch to the ALARMS and AL1 terminals. AL1 is the default alarm contact for the light sensitive switch.

## 7.5 Connection of the Ethernet cable

Connect the ethernet cable to the relative connector (Ethernet, 7.3 Connector board description, page 13).

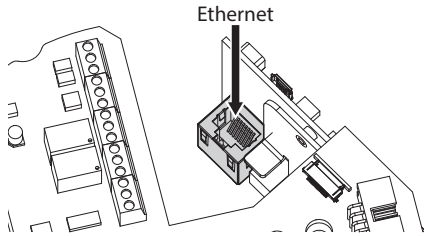


Fig. 20

## 7.6 Fixing the upper body

Fix the upper body (01) to the base (02) using the fixing screws (03) equipped with gaskets (04). Make sure the base seal is present and in good condition (05).

**⚠ Pay attention to the fixing. Tightening torque: 4Nm.**

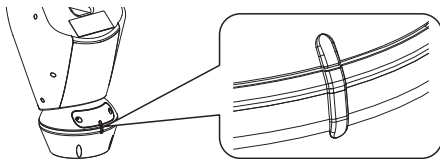
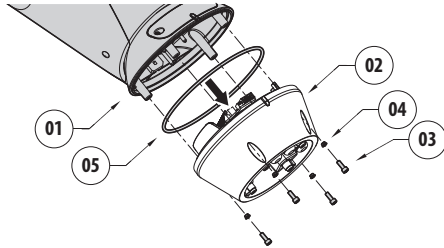


Fig. 21

**i** There is one anchoring position between the base and upper body. Align side projections to obtain the correct positioning.

## 7.7 Counterweights installation

Fasten the counterweights to the housing using the screws and washers supplied.

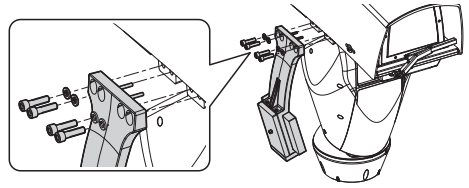


Fig. 22

**⚠ Put some thread-locker into the holes for screws (Loctite 243®).**

**⚠ Pay attention to the fixing. Tightening torque: 16Nm.**

## 7.8 LED illuminators installation

**⚠** To work properly both illuminators must be installed together.

**i** From Pan & Tilt, it is only possible to install VIDEOTEC illuminators.

### 7.8.1 Counterweight removal

Undo the screws and remove the external counterweights.

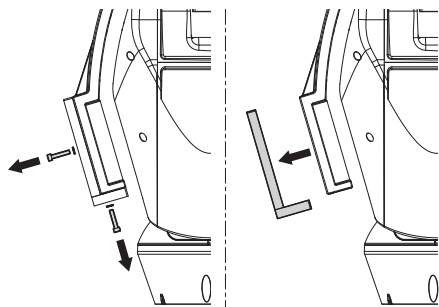


Fig. 23

### 7.8.2 Fitting the illuminator on the bracket

Identify the front holes on the counter-weight bracket.

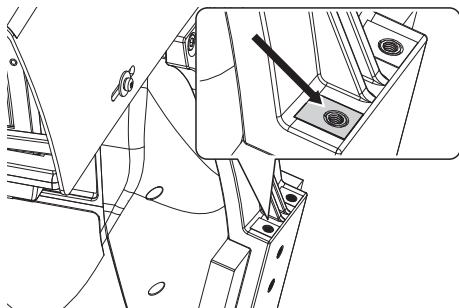


Fig. 24

Place the fixings of the illuminator (01) on those of the bracket (02).

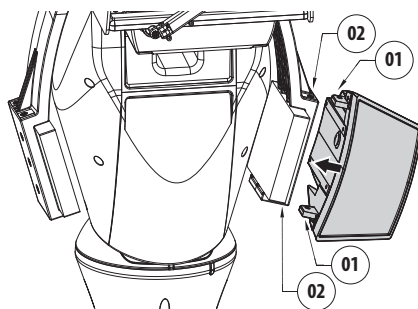


Fig. 25

Tighten the screws and the washers previously removed.

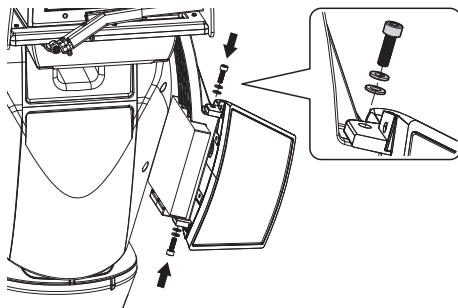


Fig. 26

**⚠** Pay attention to the fixing. Tightening torque: 6Nm.

## 7.9 Connection of the LED illuminators

Insert the power supply cables through the cable glands by at least 25 cm. Tighten the cable glands.

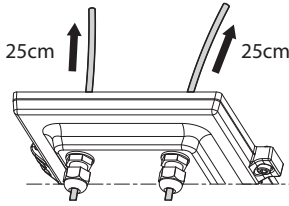


Fig. 27



To ensure the safety and the correct operation of the unit do not leave a surplus of the cable externally.

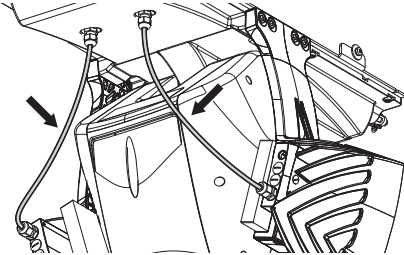


Fig. 28

Connect the cables as shown in figure.

The left illuminator (MASTER) must be connected to connector J15. The right illuminator (SLAVE) must be connected to connector J9.

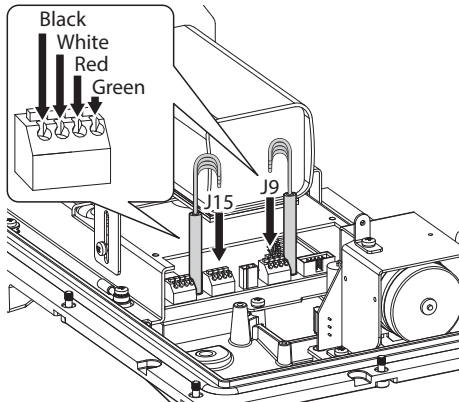


Fig. 29

## 7.10 LED illuminator activation and adjustment instructions

Once the adjustment is done the illuminator on the left (MASTER) synchronizes and controls the illuminator on the right (SLAVE).

The dusk switch detects the room light and controls the activation and deactivation of the illuminators when brightness reaches the level set by the user.

When the LED illuminators are active the camera goes to night mode with the special ONVIF control.

### 7.10.1 Description of the LED illuminator



Do not remove the transparent screw of the twilight sensor in order not to affect the security and operation of the illuminator.

- **Twilight sensor:** Detects the light level.
- **Cable:** Power supply and control.
- **Switch-on threshold regulator:** The potentiometer allows adjusting the sensitivity threshold to switch on the illuminator.
- **Infrared power control:** The potentiometer allows adjusting the power of the illuminator.

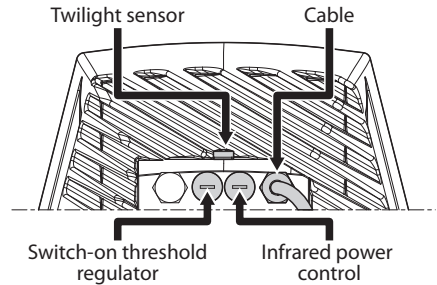


Fig. 30



### 7.10.2 LED illuminator switching on threshold adjustment

**!** The illuminator on the right must always be set to maximum brightness.

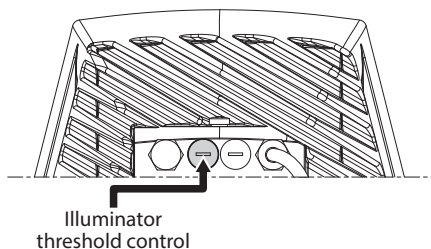


Fig. 31

The illuminator has an integrated twilight sensor that allows its automatic activation and deactivation at predefined luminous conditions.

The twilight sensor is set in the factory at a predetermined luminous level, suitable for most installations (approximately 50lx). If you want to adjust in different ways the threshold, loosen the plug on the illuminator rear and proceed for the adjustment with a screwdriver.

By rotating the trimmer clockwise, the night mode changeover is anticipated (at a greater luminous value). By rotating the trimmer anti-clockwise, the night mode changeover is delayed (at a lower luminous value).

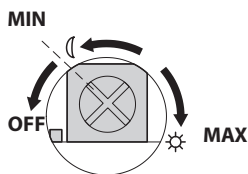


Fig. 32

Wait for appropriate brightness before switching on the illuminator. Rotate the trimmer slowly until the LED on the side of the trimmer switches on. Once the intervention threshold has been surpassed (LED on), rotate it slightly in the opposite direction.

**!** After making the adjustments make sure that the plug is closed tight to ensure perfect sealing.

### 7.10.3 LED illuminator power adjustment

**!** The illuminator on the right must always be set to minimum power.

The illuminator is set in the factory to provide maximum power. If you don't need to illuminate distant subjects or if the image is over-exposed for excessive brightness, decrease the power, so that energy saving is also obtained.

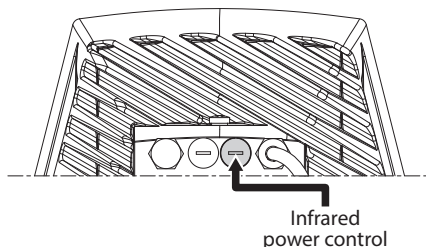


Fig. 33

Loosen the hermetic plug. Rotate the trimmer, clockwise to increase the power of the infrared illuminators and anti-clockwise to decrease it.

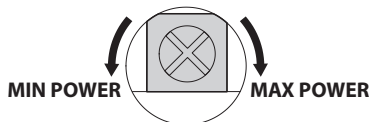


Fig. 34

**!** After making the adjustments make sure that the plug is closed tight to ensure perfect sealing.

## 7.11 Fastening of the wiper blade

Insert the blade on the wiper shaft.  
Position the blade in the stop position.

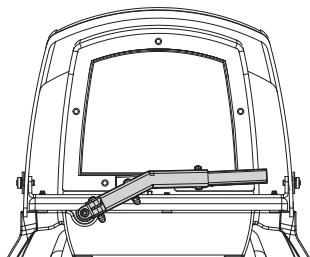


Fig. 35

Fasten the whole assembly by means of the washer and nut.

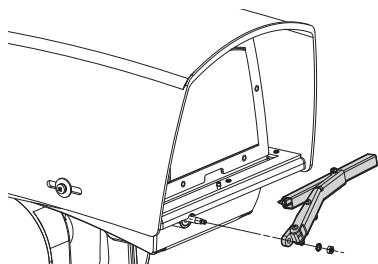


Fig. 36

**i** The correct adjustment must allow the return of the blade to the stop position going to the end stop on the casing's plate.

## 8 Switching on



Ensure the unit and the other components of the system are appropriately closed to prevent contact with live parts.



During normal operation the surface of the illuminator can reach high temperatures. Do not allow direct contact and position the appliance where it is inaccessible to unauthorised persons. Before touching switch off the illuminator and allow to cool for a minimum period of 10 minutes.



Do not stay in the vicinity of the device when it is powered. Act on the device only in the absence of a power supply.



Make sure that all parts are fastened down firmly and safely.

The unit is switched on by connecting the power supply.

To switch off the unit disconnect the power.

# 9 Configuration

## 9.1 Web interface

**i** The unit is configured to obtain an IP address from a DHCP server.

**i** Browsers supported (the latest version):  
Microsoft Edge, Google Chrome™, Mozilla Firefox.

**i** The MAC Address is contained on the label that is on the CPU board.

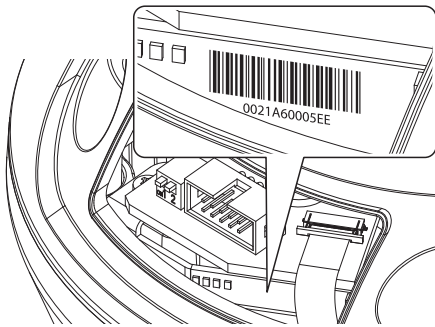


Fig. 37

The first operation in configuring the device consists in connecting to the web interface.

The IP address acquired via DHCP is visible in the DHCP server log file.

If the DHCP server is not available, the unit automatically configures itself with a self-generated IP address in the 169.254.x.x/16 subnet. Configuring the IP address of the PC as belonging to the same subnet (example: IP address: 169.254.1.1, subnet mask: 255.255.0.0).

Use an ONVIF compliant VMS or a network sniffer to find the IP address of the device (IP scan utility).

To access the Pan & Tilt web interface, simply use a browser to connect to the address `http://ip_address` and log in to Pan & Tilt using the predefined credentials:

- **Username:** admin
- **Password:** admin

### 9.1.1 Home Page

The product control interface is displayed if login is successful.



Fig. 38

## 9.1.2 User Controls page

To control the device through the browser, select the User Control entry. A new window will open with a virtual keyboard to enter commands.

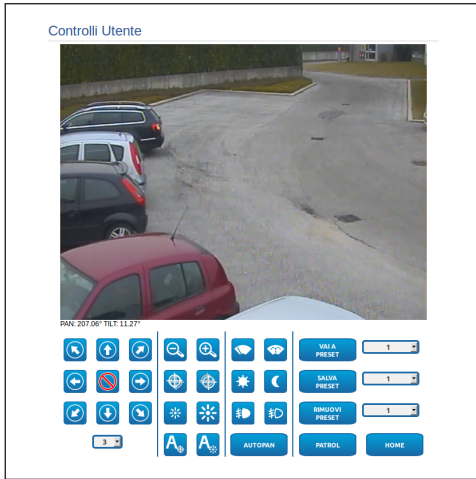


Fig. 39

The virtual keyboard contains the following controls:

- **Speed selector:** It selects the speed of the pan & tilt movements.



Fig. 40

- **Zoom Wide/Zoom Tele**



Fig. 41

- **Focus near/Focus far/Autofocus**



Fig. 42

- **Iris close/Iris open/Auto iris**



Fig. 43

- **Wiper/Washer**



Fig. 44

- **Day:** Activate the camera's IR filter. If available, it turns off the LED illuminators.



Fig. 45

- **Night:** Deactivate the camera's IR filter. If available, it turns on the LED illuminators.



Fig. 46

- **Visible Cut Filter On:** Enable the Visible Cut Filter (in models with this feature.). This filter allows for sharp images (black and white) under hazy conditions or backlit shots.



Fig. 47

- **Visible Cut Filter Off:** Disable the Visible Cut Filter (in models with this feature.).



Fig. 48

- **Autopan:** Enables the cyclical positioning between 2 preset of pan, tilt and zoom.



Fig. 49

- **Scan Preset/Set Preset/Remove Preset**

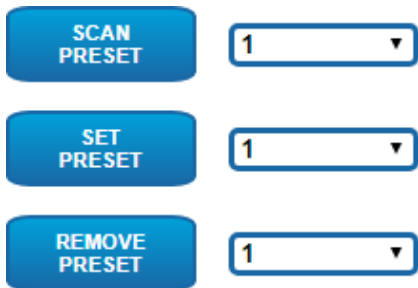


Fig. 50

- **Patrol:** Enables the automatic patrol mode repeating in sequence, or random, the presets of pan, tilt and zoom.



Fig. 51

- **Back to Home**



Fig. 52

### 9.1.3 Device Parameters Page

From menu entry Device Parameters it is possible to set the name of the device and view other additional information.

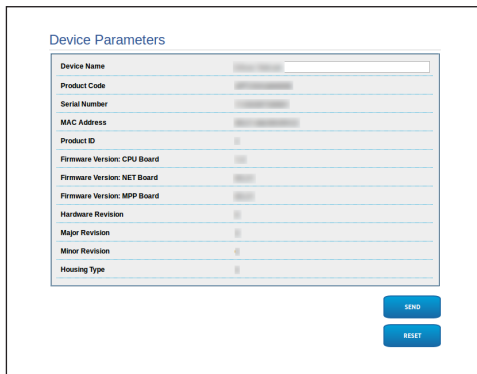


Fig. 53

## 9.1.4 Device Statistics Page

The Device Statistics menu outlines, for consultation only, all the statistics collected during device operation.

Device Statistics	
Pan degrees	3364
Tilt degrees	1442
Power up	133
Working hours	26
Housing max temperature (°C)	40
Housing min temperature (°C)	65454
Pan board max temperature (°C)	50
Pan board min temperature (°C)	22
CPU board max temperature (°C)	43
CPU board min temperature (°C)	20
Net board max temperature (°C)	39
Net board min temperature (°C)	19
IR Light ON hours	0

Fig. 54

## 9.1.5 Network Configuration page

From menu entry Network it is possible to change the setting of the Pan & Tilt network. It is possible to decide whether the device requires an address assigned statically, dynamically with DHCP or self-generated. The device supports the Internet Protocol (IP) in version 4.



**With self-generated address the device will automatically assign itself an address in the range 169.254.0.0/16.**

From the same page it is possible to configure 2 DNS and decide which mechanisms must be enabled to automatically identify the devices in the local network.

Network Configuration	
IP Version	IPv4
Address Type	STATIC
IP Address (IPv4)	192.168.103.121
Subnet Mask (IPv4)	255.255.255.0
Gateway (IPv4)	192.168.103.1
DNS auto discovery	DISABLED
Primary DNS	8.8.4.4
Secondary DNS	8.8.8.8
Date & Time	2013-05-27 14:41:53 UTC
NTP Server	DISABLED
PC Sync	ENABLED
UPNP	ENABLED
Zerocast	ENABLED
Multicast discovery	ENABLED
WS discovery	ENABLED

Fig. 55

**NTP Server:** It is also possible to specify if the device needs to be synchronised with an external NTP (Network Time Protocol) server.

- **DISABLED:** Select this option if you do not wish to synchronise date and time of the device.
- **DHCP:** Select this option if you wish to synchronise the date and time of the device with those of an NTP server (Network Time Protocol) indicated by the DHCP server.
- **STATIC:** Select this option if you want to synchronise the date and time of the device with those of the NTP server specified by the static address.

**i** In order for the device to operate correctly, it is necessary to synchronise it with the VMS software using a NTP server.

### 9.1.6 User Configuration page

From menu entry User Configuration it is possible to manage all users that have access to the device. Administrator type users can access the complete configuration of the device. Users such as Operators, Users and Anonymous have limited access to the management pages.

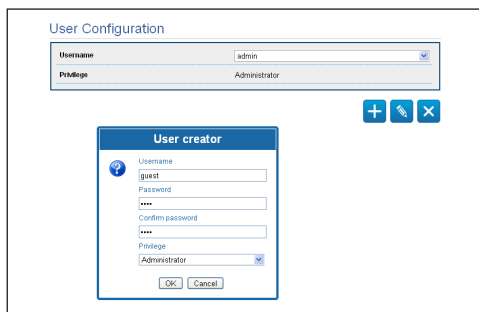


Fig. 56

**i** The device can be configured only by users with administration privileges.

### 9.1.7 Motion Parameters Page

From menu entry Movement Parameters it is possible to control, via web, all Pan & Tilt parameters.

- **Offset Pan:** The pan & tilt has a mechanically defined 0° position. The Offset Pan function allows the definition of a different 0° position using software.
- **Maximum Speed:** Sets the maximum manual speed.
- **Speed with Zoom:** When enabled, this parameter automatically slows down the Pan & Tilt speed, based on the Zoom factor.
- **Tilt Factor:** Sets the reduction factor of the tilt axis manual speed.
- **Pan Limits:** Enables the limits of Pan.
- **Pan Start:** Sets the start limit of Pan.
- **Pan End:** Sets the end limit of Pan.
- **Tilt Start:** Sets the start limit of Tilt.
- **Tilt End:** Sets the end limit of Tilt.

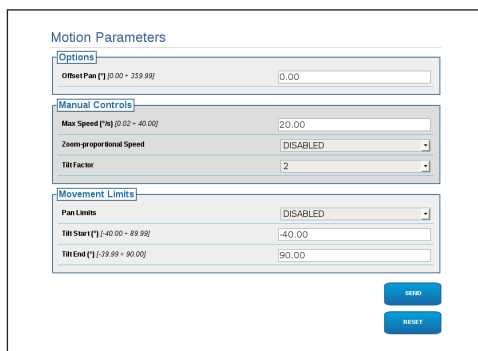


Fig. 57

### 9.1.7.1 Autopan Page

From menu entry Autopan it is possible to specify the preset autopan start and end.

Autopan

From Preset (1 = 250)	1
To Preset (2 = 250)	2

SEND  
RESET

Fig. 58

### 9.1.7.2 Patrol Page

From menu entry Patrol it is possible to specify the preset patrol start and end. It is possible to specify whether the scan of the presets needs to be carried out randomly or otherwise.

Patrol

First Preset (1 = 250)	1
Last Preset (2 = 250)	250
Random Mode	DISABLED

SEND  
RESET

Fig. 59

### 9.1.7.3 Motions Recall Page

From menu entry Motion Recall it is possible to specify a time interval of inactivity after which Pan & Tilt will carry out one of the following functions: return to Home position, start autopan or start patrol.

Motion Recall

Type	NONE
Timeout (20 = 240)	60

SEND  
RESET

Fig. 60

### 9.1.8 Preset Parameters page

From menu entry Preset Parameters a number of parameters relative to the presets can be configured:

- **Scan Speed:** The speed, measured in degrees to the second, at which a preset is reached by explicit operator request.
- **Ramp type:** This allows you to select the Pan & Tilt accelerations.
- **Speed of Movements Default:** The speed used in autopan and patrol operations.
- **Impose Default Speed:** The default speed will also be set as the scanning speed for all presets.
- **Default Dwell Time:** The amount of time, in seconds, it stays in each preset by default.
- **Impose Default Pause:** The default pause will be set for all presets.

Preset Parameters

Scan Speed (Hz) (0.02 = 40.00)	20.00
Ramp Type	1
Default Movements Speed (Hz) (0.02 = 40.00)	20.00
Set default speed value	NO
Default Dwell Time (s) (0 = 240)	5
Set default dwell time	NO

SEND  
RESET

Fig. 61

### 9.1.9 Preset Parameters page (Advanced)

In the Preset Parameters (Advanced) section it is possible to customise the speed and pause values for each preset, in addition to enabling/disabling the presets themselves.

Preset Parameters (Advanced)

Preset ID	1
Enabled	YES
Pan	0.00°
TR	0.00°
Zoom	4095
Movements Speed (0.02 = 40.00)	20.00
Dwell Time (0 = 240)	5

SEND  
RESET

Fig. 62



### 9.1.10 Digital I/O Page

From menu entry Digital I/O it is possible to configure the digital channels available in the device. What follows is a brief description of the configurable parameters for each digital input.

- **Alarm ID:** Field used to select the desired digital input.
- **Type:** It indicates the default state of the digital input.
- **Action:** Each input can be associated with an action. The action is activated when the contact is in a state other than default. The available actions are listed below:
  - **NONE:** No action.
  - **SCAN:** Position the pan & tilt on the selected preset.
  - **PATROL:** Activate the PATROL.
  - **AUTOPAN:** Activate AUTOPAN.
  - **WIPER:** Activate the Wiper.
  - **WASHER:** Activate the glass cleaning sequence.
  - **RELAY 1:** Activate Relay 1.
  - **RELAY 2:** Activate Relay 2.
  - **IR FILTER:** Deactivate the camera's IR Filter. If available, it turns on the LED illuminators.

To check correct operation of the alarms, a dot will appear on the web page. The dot will be green in normal conditions and red when an alarm is detected.

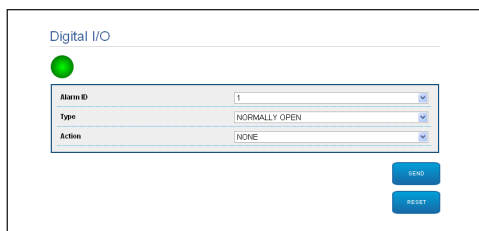


Fig. 63

### 9.1.11 Washer page

From the Wash system menu, it is possible to configure the device wash system functions.

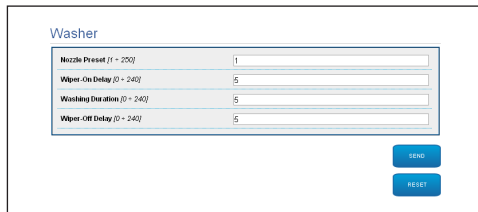


Fig. 64

## 9.1.12 Camera Settings page



The change in data in the "Protocol and authentication" section could make the camera inaccessible. The data set by default allow correct access to the system.



You are advised not to change the data in the "Lenses Features" section to avoid prejudicing correct system operation. The only useful field for the end user is "Autofocus".

This section displays the data for the different ONVIF profiles exported from the camera.

**Camera Settings**

**Protocol and Authentication**

Protocol	ONVIF PROFILE S
Username	service
Password	****
Confirm password	****

**Streaming Profiles**

Profile ID	0
Profile	media_profile1
Codec	H.264
Resolution	1920 x 1080
Framerate limit	30 fps
Bitrate limit	8000 kbps
GOP	30 frames
Zoom enabled	No

**Lenses Features**

Lenses	MOTORIZED
Zoom ratio (1 ~ 50)	1
Lenses positioning range (0 ~ 255)	20
Motor Type	INVERTED POLARITY
Rotation polarity of the lens Zoom	POSITIVE
Rotation polarity of the lens Focus	POSITIVE
Rotation polarity of the lens Iris	POSITIVE
IR Probe	EXTERNAL
Autofocus	MANUAL TRIGGER ONLY

SEND  
RESET

Fig. 65

To edit the camera settings, select the VTTunnel button or simply the Camera button in the tools menu (9.1.13 Tools Page, page 28).

## 9.1.13 Tools Page



If resetting, the PTZ is restored to default conditions. To access the system, following the instructions in the relevant chapter (9.1 Web interface, page 21).

From menu entry Tools it is possible to re-set the predefined values for the entire configuration of device or only for a number of specific sections.

This section:

- Update the firmware of the device.
- Restart the device.
- Download the VTTunnel application to enable the connection with the IP camera needed to access its web page. (9.2 VTTunnel, page 30).
- Open the web pages of the camera (9.3 Camera, page 30).

**Utility**

RESET PRESETS	Resets all presets settings to their factory values.
RESET PARAMETERS	Resets all Motion Parameters, Digital I/O settings and Washer settings to their factory values.
RESET USERS	Resets all authentication settings to their factory values.
RESET NETWORK	Resets all network settings to their factory values.
RESET ALL	Resets all parameters and settings to their factory values.
UPDATE FIRMWARE	Upgrade device firmware. <input type="text" value="Browse..."/> No file selected.
REBOOT DEVICE	Reboot the device.
VTTUNNEL	Download and run VTTunnel to reach the camera directly from your browser.
CAMERA	Access the camera web pages

Fig. 66

## 9.1.14 Factory Default

**!** If the access password to Pan & Tilt is no longer available, follow the procedure to reset to default settings using the Reset key, situated inside the product.

**!** To search and identify the Pan & Tilt, following the instructions in the relevant chapter (9.1 Web interface, page 21). In this case however, the access credentials to the system are those of the camera and not Pan & Tilt. If the credentials are those of camera default (set by Videotec) they are:

**Login: service**

**Password: Videotec2020-**

To restore the factory settings relative to the network, user access and camera configuration follow this procedure:

- Power the unit.
- Open the cover of the DIP-switches.
- Detect DIP switch 4 (01). Bring switch 1 down, 1 (ON) value.
- Wait for the temporary shutdown of the LEDs (02).
- Bring switch 1 up, 0 (OFF) value.
- Close the connector housing cover.
- Follow the instructions in paragraph 9.1 to search the address (9.1 Web interface, page 21).

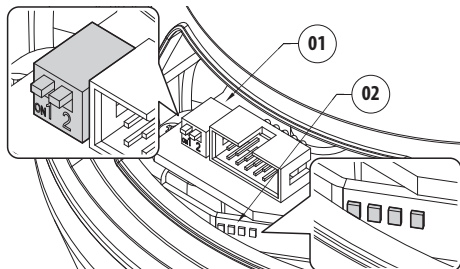


Fig. 67

The required parameters are:

- The IP protocol used to communicate with the camera (ONVIF PROFILE S).
- The type of lens installed (MOTORISED).
- The credentials necessary for connection to the IP camera (username: "service"; password: "Videtotec2020-").
- Restart the device.
- If still set in DHCP, the product could have changed address.

Fig. 68

## 9.2 VTTunnel

**i** The application works only with Java™. If Java™ is not installed download the latest version at [www.java.com](http://www.java.com).

**i** The application can be connected only to the first interface of the network. Leave only the network cable connected to the pan & tilt.

**i** The execution of the application requires computer administrator privileges. The following message may appear on the screen: You have to execute Javaw as administrator. In this case the execution properties of the file in the Java installation folder must be modified.

In order to connect the web camera you must use the program VTTunnel, available in the Tools menu.

When the program starts, a list of networked devices will be shown. To connect to the camera select the pan & tilt desired and press the Connect key.

Once the connection is established, the web page of the IP camera can be reached at 192.0.0.64.

When the operations on the camera are done, you can close the connection by clicking the Disconnect key. It is possible to connect to one camera at a time, so you need to disconnect from the P&T unit before operating on a different unit.

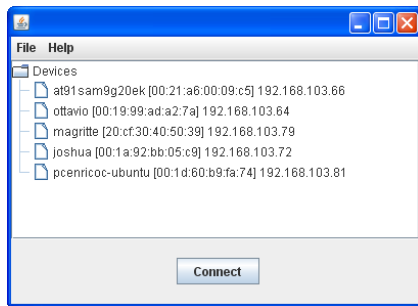


Fig. 69

**i** Restart the Pan & Tilt if video streaming parameters have been modified during the configuration of the camera.

## 9.3 Camera

**i** For detailed information, refer to the camera manual, which can be downloaded from the web.

**i** To access the camera menu, Pan & Tilt must not have an auto-generated address or in DHCP.

Access the camera web page.

The default data to access the camera are:

- Login: "service"
- Password: "Videotec2020-"

# 10 Accessories

**i** For further details on configuration and use, refer to the relative manual.

## 10.1 Washer

The product can be equipped with an external pump that provides water to clean the glass.

When a control is provided, the Pan & Tilt is positioned with the window in front of the nozzle. ( 9.1.2 User Controls page, page 22). The pump and wiper are activated for a set period of time. At the end of the operation the P&T returns to its initial position.

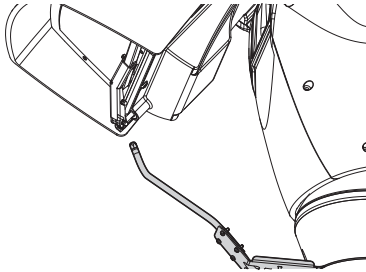


Fig. 70

### 10.1.1 Washing system connection

**!** CAUTION! TNV-1 installation type. The installation is type TNV-1, do not connect it to SELV circuits.

**!** CAUTION! In order to reduce the risk of fire, only use UL Listed or CSA certified cables with sections greater than or equal to 0.14mm<sup>2</sup> (26AWG).

**!** All signal cables must be grouped together by means of a cable tie.

WASHING SYSTEM CONNECTION	
Terminals	Description
O1-C1	Clean contact to activate the washing system.

Tab. 5

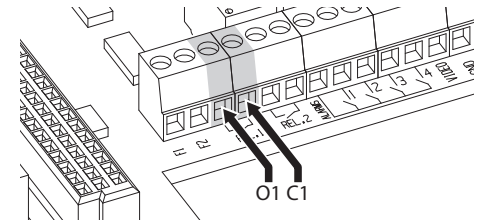


Fig. 71

## 10.2 Wall mount bracket

Wall bracket with internal cable channel.

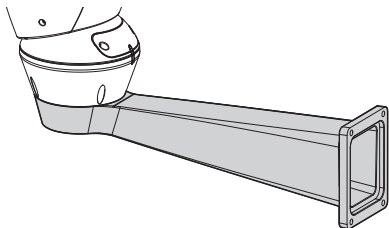


Fig. 72

## 10.3 Parapet bracket

Parapet bracket with internal cable channel.

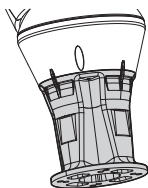


Fig. 73

## 10.4 Power supply with illuminator control

Weather-proof box with power supply and control of the illuminators.

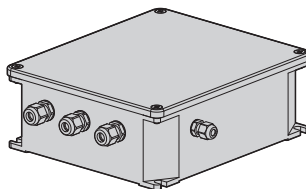


Fig. 74 Version of the standard box.

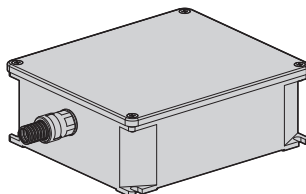



Fig. 75 Version of the UL certified box.




**For further information refer to the relative chapter (7.4.3 Connection of the alarm inputs, of the twilight switch and of the relays, page 15).**

## 11 Maintenance

 **CAUTION! Device installation and maintaining must be performed by specialist technical staff only.**

 **Maintenance must be carried out by personnel trained to operate on electrical circuits.**

### 11.1 Fuses replacement

 **Maintenance must be performed with the power supply disconnected and the circuit-breaker open.**


If necessary, replace the fuse illustrated in figure (7.3 Connector board description, page 13).

FUSES REPLACEMENT		
Voltage	Fuse F1	Fuse F2
24Vac, 50/60Hz	F 6.3A H 250V 5x20	T 8A H 250V 5x20
120Vac, 50/60Hz	F 6.3A H 250V 5x20	T 4A H 250V 5x20
230Vac, 50/60Hz	F 6.3A H 250V 5x20	T 2A H 250V 5x20

Tab. 6

## 12 Cleaning

### 12.1 Cleaning the window and plastic parts

 **Avoid ethyl alcohol, solvents, hydrogenated hydrocarbide, strong acid and alkali. Such products may irreparably damage the surface.**

We recommend using a soft cloth with neutral soap diluted with water or specific products to clean the glasses lenses.

## 13 Information on disposal and recycling

The European Directive 2012/19/EU on Waste Electrical and Electronic Equipment (WEEE) mandates that these devices should not be disposed of in the normal flow of municipal solid waste, but they should be collected separately in order to optimize the recovery stream and recycling of the materials that they contain and to reduce the impact on human health and the environment due to the presence of potentially hazardous substances.



**The symbol of the crossed out bin is marked on all products to remember this.**

The waste may be delivered to appropriate collection centers, or may be delivered free of charge to the distributor where you purchased the equipment at the time of purchase of a new equivalent or without obligation to a new purchase for equipment with size smaller than 25cm (9.8in).

For more information on proper disposal of these devices, you can contact the responsible public service.

## 14 Troubleshooting



**Contact an authorized support centre if the problems listed below persist or you have any other issues that are not described here.**

<b>PROBLEM</b>	<b>The product does not go on.</b>
CAUSE	Wiring error, blown fuse.
SOLUTION	Make sure the connections are correct. Check the continuity of the fuses and replace them with the indicated models should they fail.
<b>PROBLEM</b>	<b>During start-up the pan &amp; tilt is disabled.</b>
CAUSE	Ambient temperature is very low.
SOLUTION	Wait until the end of the pre-heating procedure.
<b>PROBLEM</b>	<b>The camera is not focusing correctly</b>
CAUSE	The camera has lost settings
SOLUTION	Contact support for the guided back focus procedure.
<b>PROBLEM</b>	<b>At low temperatures, video streaming cannot be reached, many items on the menu are disabled.</b>
CAUSE	The system is still in the de-icing phase (typically lasts 1 to 2 hours)
SOLUTION	From the tools menu, click the RESTART button. If the ambient temperature is too low the unit will remain blocked.



## 15 Technical data

### 15.1 General

Top mount (OTT)

Transmission through toothed belt

Slip-ring

Electronic limit switches

Zero backlash

Optical sensors for absolute positioning feedback

Integrated wiper

Pre-installed camera and lens

### 15.2 Mechanical

Constructed from aluminium and tecnopolymer

Epoxy polyester powder painting, RAL9002 colour

Horizontal rotation: 360°, continuous rotation

Zoom 33x:

- Vertical rotation: from -20° up to +45°
- Horizontal speed (variable): from 0.02°/s up to 20°/s
- Tilt speed (variable): from 0.02°/s up to 20°/s

Accuracy of preset positions: 0.02°

Cable glands: 3xM16

Unit weight: 30kg (66lb)

### 15.3 Electrical

Supply voltage/Current consumption:

- 230Vac, 0.4A, 50/60Hz
- 120Vac, 0.8A, 50/60Hz
- 24Vac, 4A (8A with LED illuminators), 50/60Hz

Power consumption (illuminators off):

- 24W, P&T static (stand-by), heating switched off
- 100W, P&T in motion, heating switched on

Power consumption (illuminators on):

- 150W, P&T in motion, heating switched on, illuminators to minimum power
- 190W, P&T in motion, heating switched on, illuminators to maximum power

4 self-powered alarm inputs

2 dry contacts: 30Vdc max or 30Vac, @ 1A

### 15.4 Communications

Connector: RJ45, 10BASE-T/100BASE-T

Protocol: ONVIF, Profile S (TCP/IPv4, UDP/IPv4, HTTP, NTP, DHCP, WS-DISCOVERY, QoS, RTSP, RTCP, RTP)

## 15.5 Cameras

Day/Night Full HD, 60fps, sensor CMOS 1/2.8"

Effective Pixels: 2 Megapixel

Minimum Illumination, color (ICR-OFF):

- 0.041 lx 1/25s F3.0, 50 IRE

Minimum Illumination, B/W (ICR-ON):

- 0.005 lx 1/25s F3.0, 50 IRE

Zoom 33x:

- Horizontal Viewing Angle: from 20.51° (wide end) up to 0.65° (tele end)
- Vertical Viewing Angle: from 11.58° (wide end) up to 0.36° (tele end)

S/N Ratio: over 55 dB

HDR mode: 110 dB WDR (Measured according to IEC 62676 Part 5)

Adjustable picture settings: Contrast, saturation, Brightness

White balance: from 2500K up to 10000K, 4 automatic modes (base, standard, sodium lamp, dominant color), Manual mode and Hold mode

ALC level: Adjustable

Saturation: Adjustable from peak to average

Shutter: Automatic Electronic Shutter (AES, Automatic Electronic Shutter); Fixed shutter (from 1/25 [30] up to 1/15000)selectable; Default shutter

Day/Night: Auto (adjustable switch points), color, monochrome

Sharpness: Sharpness enhancement level selectable

Contre-jour compensation: On/Off/Intelligent Auto Exposure (IAE)

Contrast optimisation: On/Off

Disturbance reduction: Intelligent Dynamic Noise Reduction with separate temporal and spacial adjustments

Intelligent Defog

Video Content Analysis Intelligent Video Analytics

Scene mode: 10 default modes with planner:

Indoor, Outdoor, Traffic, Poor lighting, Intelligent AE, Vibration, Low bitrate, Sport and play, Shops, Plate recognition (LPR)

Zone darkening

## 15.6 Lenses

Zoom 33x, 15.2-500mm (0.6-19.7in), F3.0 (Thermal compensation system and Visible Cut Filter)

## 15.7 Environment

For indoors and outdoors installation

Operating temperature

- Continuous working: from -40°C (-40°F) up to +60°C (140°F)
- Non continuous working (absolute maximum temperature for short periods): +65°C (149°F)
- Cold start (33x lenses): -30°C (-22°F)

Surge immunity: up to 2kV line to line, up to 4kV line to earth (Class 4)

Relative humidity: from 10% up to 95% (no condensation)

## 15.8 Certifications

Electrical safety (CE): EN60950-1, IEC60950-1, EN62368-1, IEC62368-1

Electromagnetic compatibility (CE): EN50130-4, EN61000-6-4, EN55022 (Class A), FCC Part 15 (Class A)

Outdoor installation (CE): EN60950-22, IEC60950-22

Photobiological safety (CE): EN62471 (LED illuminators)

IP protection degree: EN60529, IP66

Salty fog resistance: EN50130-5, EN60068-2-52

EAC certification

NDAA compliant

# 16 Technical drawings



The indicated measurements are expressed in millimetres.

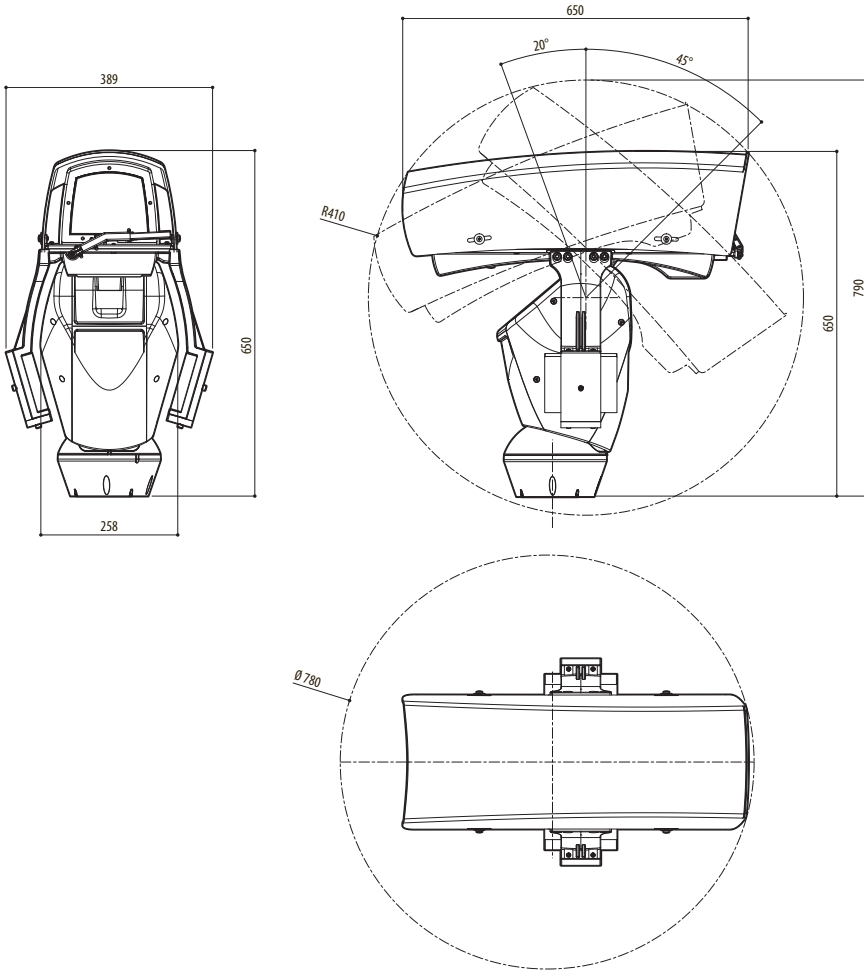
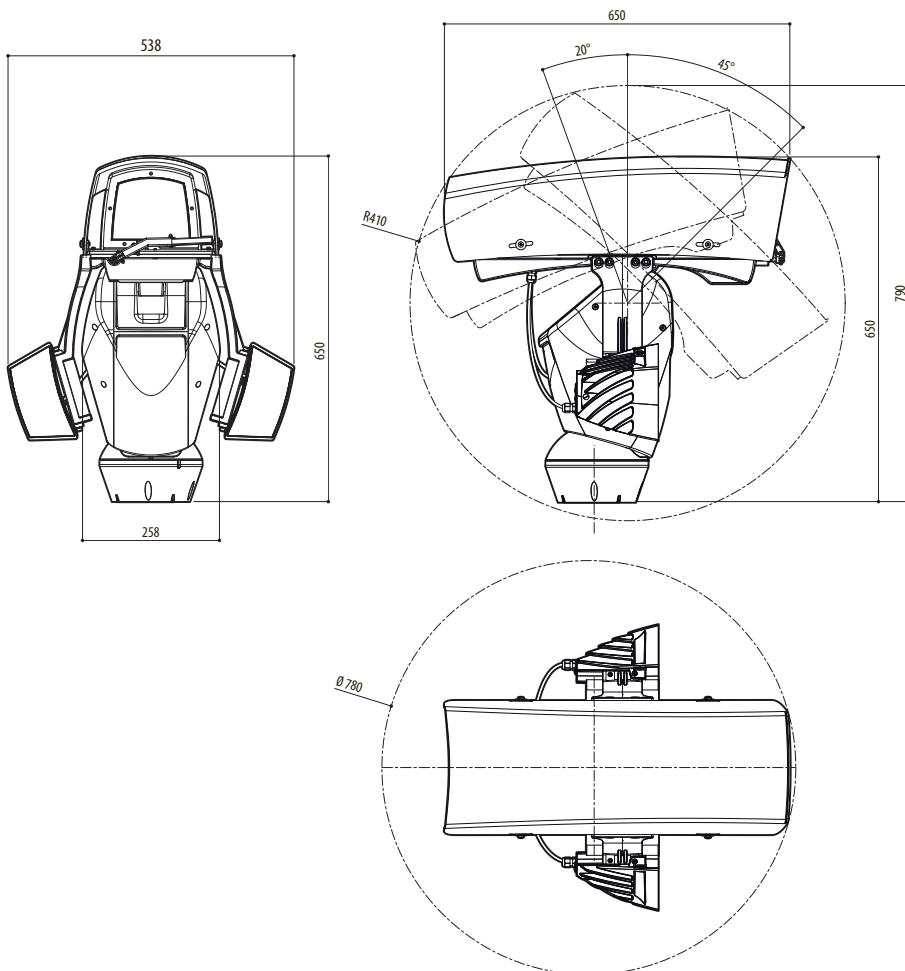


Fig. 76 ULISSE RADICAL, Zoom 33x.



**Fig. 77** ULISSE RADICAL, Zoom 33x, version pre-arranged for the installation of two LED illuminators.

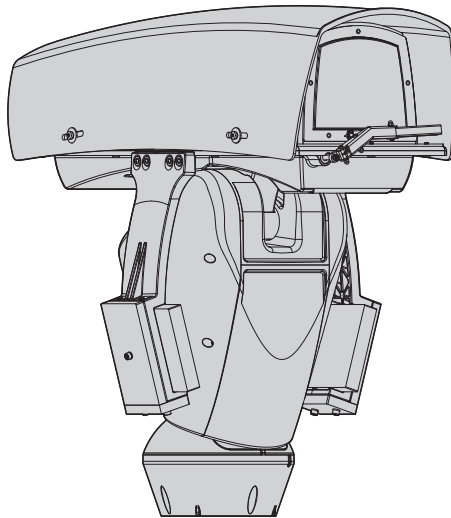


**Headquarters Italy** Videotec s.r.l.  
 Via Friuli, 6 - I-36015 Schio (VI) - Italy  
 Tel. +39 0445 697411 - Fax +39 0445 697414  
 Email: [info@videotec.com](mailto:info@videotec.com)  
[www.videotec.com](http://www.videotec.com)



# ULISSE RADICAL

PTZ HD per lunghe distanze con telecamera ed ottica ad alte prestazioni





# Sommario

<b>1 Informazioni sul presente manuale .....</b>	<b>5</b>
1.1 Convenzioni tipografiche .....	5
<b>2 Note sul copyright e informazioni sui marchi commerciali.....</b>	<b>5</b>
<b>3 Norme di sicurezza .....</b>	<b>5</b>
<b>4 Identificazione .....</b>	<b>8</b>
4.1 Descrizione e designazione del prodotto .....	8
4.2 Marcatura del prodotto .....	8
4.2.1 Controllo della marcatura.....	8
<b>5 Versioni.....</b>	<b>9</b>
5.1 Illuminatore a LED.....	9
<b>6 Preparazione del prodotto per l'utilizzo.....</b>	<b>9</b>
6.1 Precauzioni di sicurezza prima dell'utilizzo.....	9
6.2 Disimballaggio .....	10
6.2.1 Rimozione dell'imballo protettivo.....	10
6.2.1.1 Apertura della custodia.....	10
6.2.1.2 Estrazione dell'imballo protettivo .....	10
6.3 Contenuto .....	11
6.4 Smaltimento in sicurezza dei materiali di imballaggio.....	11
6.5 Lavoro preparatorio prima dell'installazione .....	11
6.5.1 Fissaggio del supporto .....	11
6.5.2 Passaggio cavi .....	11
<b>7 Installazione.....</b>	<b>12</b>
7.1 Collegamento dei cavi alla base.....	12
7.2 Fissaggio della base al supporto.....	13
7.3 Descrizione della scheda connettori .....	13
7.4 Collegamento della linea di alimentazione .....	14
7.4.1 Collegamento della linea di alimentazione in 24Vac.....	14
7.4.2 Collegamento della linea di alimentazione in 120Vac e 230Vac .....	15
7.4.3 Collegamento degli ingressi di allarme, dell'interruttore crepuscolare e dei relè .....	15
7.5 Collegamento del cavo di rete Ethernet .....	16
7.6 Fissaggio del corpo superiore.....	16
7.7 Montaggio dei contrappesi .....	16
7.8 Montaggio degli illuminatori a LED.....	17
7.8.1 Rimozione dei contrappesi .....	17
7.8.2 Montaggio dell'illuminatore sulla staffa.....	17
7.9 Collegamento degli illuminatori a LED.....	18
7.10 Regolazione e modalità di attivazione degli illuminatori a LED .....	18
7.10.1 Descrizione dell'illuminatore a LED .....	18
7.10.2 Regolazione della soglia di accensione degli illuminatori a LED .....	19
7.10.3 Regolazione della potenza degli illuminatori a LED .....	19
7.11 Fissaggio della spazzola del tergitristallo.....	20
<b>8 Accensione .....</b>	<b>20</b>

<b>9 Configurazione .....</b>	<b>21</b>
9.1 Interfaccia web.....	21
9.1.1 Pagina Home .....	21
9.1.2 Pagina Controlli Utente .....	22
9.1.3 Pagina Parametri Dispositivo.....	23
9.1.4 Pagina Statistiche Dispositivo.....	24
9.1.5 Pagina Configurazione Rete.....	24
9.1.6 Pagina Configurazione Utenti.....	25
9.1.7 Pagina Parametri Movimento.....	25
9.1.7.1 Pagina Autopan.....	26
9.1.7.2 Pagina Patrol .....	26
9.1.7.3 Pagina Richiamo Movimenti .....	26
9.1.8 Pagina Parametri Preset.....	26
9.1.9 Pagina Parametri Preset (Avanzato) .....	26
9.1.10 Pagina I/O Digitali .....	27
9.1.11 Pagina Washer .....	27
9.1.12 Pagina Parametri Camera .....	28
9.1.13 Pagina Strumenti .....	28
9.1.14 Factory Default.....	29
9.2 VTTunnel.....	30
9.3 Camera .....	30
<b>10 Accessori.....</b>	<b>31</b>
10.1 Impianto di lavaggio.....	31
10.1.1 Collegamento dell'impianto di lavaggio .....	31
10.2 Supporto da parete.....	32
10.3 Supporto da parapetto.....	32
10.4 Alimentatore con controllo degli illuminatori.....	32
<b>11 Manutenzione.....</b>	<b>33</b>
11.1 Sostituzione dei fusibili.....	33
<b>12 Pulizia .....</b>	<b>33</b>
12.1 Pulizia della finestra e delle parti in plastica .....	33
<b>13 Informazioni sullo smaltimento e il riciclo .....</b>	<b>34</b>
<b>14 Risoluzione dei problemi .....</b>	<b>34</b>
<b>15 Dati tecnici .....</b>	<b>35</b>
15.1 Generale .....	35
15.2 Meccanica .....	35
15.3 Elettrico.....	35
15.4 Comunicazioni .....	35
15.5 Telecamere .....	36
15.6 Ottiche .....	36
15.7 Ambiente .....	36
15.8 Certificazioni.....	36
<b>16 Disegni tecnici .....</b>	<b>37</b>



# 1 Informazioni sul presente manuale

Prima di installare e utilizzare questo prodotto, leggere attentamente tutta la documentazione fornita. Tenere il manuale a portata di mano per consultazioni successive.

## 1.1 Convenzioni tipografiche



**PERICOLO!**  
Pericolosità elevata.  
Rischio di scosse elettriche. Prima di eseguire qualsiasi operazione assicurarsi di togliere tensione al prodotto, salvo diversa indicazione.



**PERICOLO!**  
Superficie calda.  
Evitare il contatto. Le superfici sono calde e potrebbero causare danni alla persona in caso di contatto.



**PERICOLO!**  
Pericolo di natura meccanica.  
Rischio di schiacciamento o cesoiamento.



**ATTENZIONE!**  
Pericolosità media.  
L'operazione è molto importante per il corretto funzionamento del sistema. Si prega di leggere attentamente la procedura indicata e di eseguirla secondo le modalità previste.



**INFO**  
Descrizione delle caratteristiche del sistema.  
Si consiglia di leggere attentamente per comprendere le fasi successive.

## 2 Note sul copyright e informazioni sui marchi commerciali

I nomi di prodotto o di aziende citati sono marchi commerciali o marchi commerciali registrati appartenenti alle rispettive società.

ONVIF® è un marchio di proprietà di Onvif, Inc.

## 3 Norme di sicurezza



**ATTENZIONE!** L'impianto elettrico al quale è collegata l'unità deve essere dotato di un interruttore di protezione bipolare automatico da 20A max. Tale interruttore deve essere di tipo Listed. La distanza minima tra i contatti dell'interruttore di protezione deve essere di 3mm. L'interruttore deve essere provvisto di protezione contro la corrente di guasto verso terra (differenziale) e la sovracorrente (magnetotermico).



**ATTENZIONE!** Parti mobili pericolose. Non avvicinare dita e altre parti del corpo.



**ATTENZIONE!** L'installazione e la manutenzione del dispositivo devono essere eseguite solo da personale tecnico specializzato.



**ATTENZIONE!** Per assicurare la protezione contro il rischio di incendio, sostituire i fusibili con lo stesso tipo e valore. I fusibili devono essere sostituiti solo da personale qualificato.



**ATTENZIONE!** L'installazione è di tipo TNV-1. Non collegare a circuiti SELV.



**ATTENZIONE!** Per ridurre il rischio di incendio usare solamente cavi certificati UL Listed o CSA aventi sezioni maggiori o uguali a 0.14mm<sup>2</sup> (26AWG).

- Il produttore declina ogni responsabilità per eventuali danni derivanti da un uso improprio delle apparecchiature menzionate in questo manuale. Si riserva inoltre il diritto di modificarne il contenuto senza preavviso. Ogni cura è stata posta nella raccolta e nella verifica della documentazione contenuta in questo manuale. Il produttore, tuttavia, non può assumersi alcuna responsabilità derivante dall'utilizzo della stessa. Lo stesso dicasi per ogni persona o società coinvolta nella creazione e nella produzione di questo manuale.

- Prima di eseguire qualsiasi operazione assicurarsi di togliere tensione al prodotto.
- Non utilizzare cavi con segni di usura o invecchiamento.
- Non effettuare per nessun motivo alterazioni o collegamenti non previsti in questo manuale. L'uso di apparecchi non idonei può portare a gravi pericoli per la sicurezza del personale e dell'impianto.
- Utilizzare solo parti di ricambio originali. Pezzi di ricambio non originali potrebbero causare incendi, scariche elettriche o altri pericoli.
- Prima di procedere con l'installazione, controllare che il materiale fornito corrisponda alle specifiche richieste esaminando le etichette di marcatura (4.2 Marcatura del prodotto, pagina 8).
- La categoria di installazione (detta anche categoria di sovratensione) specifica i livelli della tensione transitoria di rete alla quale l'apparato è soggetto. La categoria dipende dal luogo di installazione e dalla presenza di dispositivi di protezione contro le sovratensioni. Un dispositivo per ambienti industriali, connesso ai rami principali dell'impianto di alimentazione è soggetto alla categoria di installazione III. Se questo è il caso, è richiesta una riduzione alla categoria II. Ciò può essere ottenuto utilizzando un trasformatore di isolamento con schermatura connessa a terra tra il primario ed il secondario, o tramite l'impiego di dispositivi di protezione contro le sovratensioni (SPD), UL listed, connessi tra la fase ed il neutro e tra il neutro e terra. I dispositivi SPD UL listed, dovranno essere predisposti per limitare sovratensioni transitorie in modo ripetitivo e per le seguenti condizioni nominali di funzionamento: Tipo 2 (Dispositivi SPD connessi permanentemente alla rete di alimentazione, per installazioni dal lato del carico del dispositivo di servizio); Corrente nominale di scarica (In) 20kA minimi. Si possono utilizzare ad esempio: FERRAZ SHAWMUT, ST23401PG-CN, ST240SPG-CN specificati per 120Vac/240Vac, (In=20kA). La distanza massima tra l'installazione e la riduzione è di 5m.
- Questo dispositivo è stato progettato per essere fissato e collegato in maniera permanente su un edificio o su una struttura adeguata. Il dispositivo deve essere fissato e collegato in maniera permanente prima di effettuare qualsiasi operazione.
- L'impianto elettrico deve essere dotato di un sezionatore di rete prontamente riconoscibile e utilizzabile in caso di necessità.
- Il terminale di terra disponibile nel prodotto deve essere collegato permanentemente alla terra.
- Collegare il dispositivo ad una sorgente d'alimentazione corrispondente a quella indicata nell'etichetta di marcatura. Prima di procedere con l'installazione verificare che la linea elettrica sia opportunamente sezionata. La tensione di alimentazione non deve eccedere i limiti ( $\pm 10\%$ ).
- L'alimentazione deve essere fornita da una sorgente isolata di tipo SELV, 24Vac, 8A derivata da un trasformatore a doppio isolamento UL Listed, opportunamente protetto in uscita.
- L'apparecchiatura comprende parti mobili. Assicurarsi che l'unità venga posizionata in un'area non accessibile durante le normali condizioni di funzionamento.
- Applicare l'etichetta Parti Mobili Pericolose vicino all'unità (Fig. 3, pagina 9).
- Non utilizzare l'apparecchio in presenza di sostanze infiammabili.
- Per la connessione della linea di alimentazione utilizzare l'apposita scatola di connessione (UPTJ BUL). Per ulteriori informazioni fare riferimento al manuale d'uso ed installazione del prodotto.

- Non permettere l'uso dell'apparecchio a bambini o personale non autorizzato.
- La manutenzione del dispositivo deve essere eseguita solo da personale qualificato. Durante le operazioni di manutenzione l'operatore è esposto al rischio di folgorazione o ad altri pericoli.
- Utilizzare solo gli accessori indicati dal costruttore. Qualsiasi intervento non espressamente approvato dal costruttore fa decadere la garanzia.
- Prima di collegare tutti i cavi di segnale verificare che l'unità sia opportunamente collegata al circuito di terra.
- Se il dispositivo deve essere rimosso dall'impianto, scollegare sempre per ultimo il cavo di terra.
- Adottare le dovute precauzioni per evitare di danneggiare l'apparecchiatura con scariche elettrostatiche.
- L'unità è stata realizzata per essere collegata con cavo tripolare. Seguire le indicazioni per un corretto collegamento del circuito di terra descritte nel presente manuale.
- Maneggiare con cura l'unità, forti sollecitazioni meccaniche potrebbero danneggiarla.
- Porre particolare attenzione alle distanze di isolamento tra la linea di alimentazione e tutti gli altri cavi compresi i dispositivi di protezione contro i fulmini.
- È possibile trasportare il dispositivo solo prestando la massima attenzione. Fermate brusche, dislivelli e impatti violenti possono causare danneggiamenti all'oggetto o ferite per l'utente.

## 4 Identificazione

### 4.1 Descrizione e designazione del prodotto

ULISSE RADICAL è il primo sistema PTZ Full HD di rete Videotec pronto all'uso che integra eccezionali combinazioni di ottica e telecamera preconfigurate, Full HD 1080p, 60fps e sensori CMOS da 1/2.8", per video di qualità broadcast notte e giorno di estese aree esterne.

Per rispondere alle più esigenti specifiche di video sorveglianza, questa unità PTZ è equipaggiata con ottiche da 33x dotate di un avanzato autofocus che permette e mantiene automaticamente la messa a fuoco su un soggetto molto lontano con dettagli nitidi.

ULISSE RADICAL è certificato ONVIF Profilo S ed è quindi compatibile con la maggior parte dei VMS sul mercato.

Il software plug-in PTZ ASSISTANT di Videotec supporta qualsiasi VMS con controllo di tutte le funzioni speciali come tergicristallo, pompa, attivazione IR e Autofocus.

L'eccezionale fluidità di movimento è garantita dai potenti motori, anche a una velocità minima di 0.02°/sec.

Le prestazioni rimangono ottimali anche nel buio completo grazie ai potenti illuminatori a LED che possono raggiungere distanze oltre i 300m (con due illuminatori UPTIRN, 10°, 850nm).

ULISSE RADICAL con zoom 33x offre un sistema di compensazione termica e filtro anti riverbero (Visible Cut Filter).

Per le sue caratteristiche di precisione, affidabilità e robustezza, questa telecamera PTZ è la soluzione ideale per il controllo video di estese aree esterne, tra le quali: sorveglianza di frontiere, sorveglianza portuale, sorveglianze perimetrali di lunga distanza, controllo traffico e autostrade, installazioni militari.

## 4.2 Marcatura del prodotto



Sul prodotto è applicata una etichetta conforme alla marcatura CE.

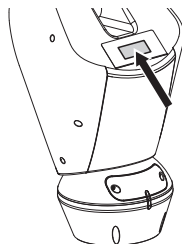


Fig. 1

L'etichetta riporta:

- Codice di identificazione del modello (Codice a barre Extended 3/9).
- Tensione di alimentazione (Volt).
- Frequenza (Hertz).
- Corrente assorbita (Ampere).
- Grado di protezione (IP).
- Numero di serie.

### 4.2.1 Controllo della marcatura

Prima di procedere con l'installazione controllare che il materiale fornito corrisponda alle specifiche richieste, esaminando le etichette di marcatura.

Non effettuare per nessun motivo alterazioni o collegamenti non previsti in questo manuale. L'uso di apparecchi non idonei può portare a gravi pericoli per la sicurezza del personale e dell'impianto.

## 5 Versioni

### 5.1 Illuminatore a LED

 La versione con illuminatori a LED è alimentabile solamente in 24Vac.

Il brandeggio può essere dotato di un supporto per montaggio di 2 illuminatori a LED VIDEOTEC per la visione notturna (illuminatori non inclusi).

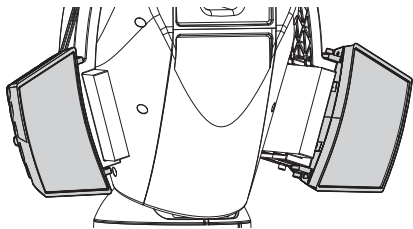





Fig. 2


 Per ulteriori informazioni fare riferimento al relativo capitolo (7.8 Montaggio degli illuminatori a LED, pagina 17).

## 6 Preparazione del prodotto per l'utilizzo

 Qualsiasi intervento non espressamente approvato dal costruttore fa decadere la garanzia.

 Il prodotto non deve essere smontato o manomesso. Le uniche eccezioni sono quelle che riguardano le operazioni di montaggio e manutenzione previste nel presente manuale.

### 6.1 Precauzioni di sicurezza prima dell'utilizzo

 L'apparecchiatura comprende parti mobili. Assicurarsi che l'unità venga posizionata in un'area non accessibile durante le normali condizioni di funzionamento. Applicare l'apposita etichetta fornita assieme all'apparecchio nelle sue vicinanze ed in modo ben visibile.



**ATTENZIONE!**  
Parti mobili pericolose. Non avvicinare dita e altre parti del corpo.

**WARNING!**  
Hazardous moving parts. Keep fingers and other body parts away.

**AVERTISSEMENT!**  
Parties mobiles dangereuses. Ne pas approcher les doigts au d'autres parties du corps.

**ACHTUNG!**  
Gefährliche bewegliche Teile. Finger und andere Körperteile fernhalten.

Fig. 3

## 6.2 Disimballaggio

Alla consegna del prodotto verificare che l'imballo sia integro e non presenti segni evidenti di cadute o abrasioni.

In caso di danni evidenti all'imballo contattare immediatamente il fornitore.

In caso di restituzione del prodotto malfunzionante è consigliato l'utilizzo dell'imballaggio originale per il trasporto.

Conservare l'imballo qualora fosse necessario inviare il prodotto in riparazione.



**Disimballare il tettuccio del dispositivo avendo cura di non danneggiare la custodia.**

### 6.2.1 Rimozione dell'imballo protettivo

Prima di installare il dispositivo è necessario rimuovere l'imballo protettivo.

#### 6.2.1.1 Apertura della custodia

Svitare le viti antiperdita poste sui fianchi e sollevare la parte superiore della custodia.

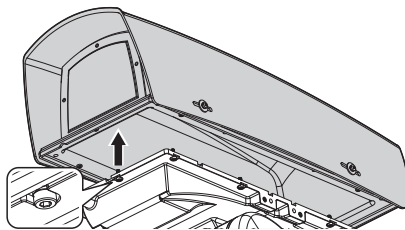


Fig. 4



**Serrare per prime le due viti centrali come illustrato in figura.**

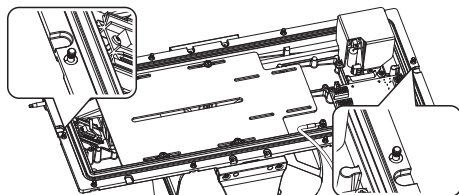


Fig. 5



**Al termine delle operazioni di installazione e cablaggio richiudere il prodotto.**

#### 6.2.1.2 Estrazione dell'imballo protettivo

Dopo aver aperto la custodia, estrarre l'imballaggio protettivo.

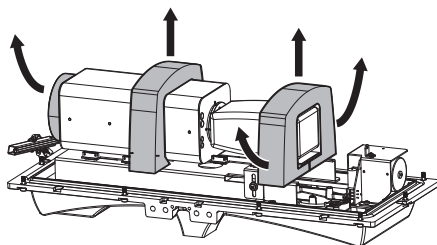


Fig. 6

## 6.3 Contenuto

Controllare che il contenuto sia corrispondente alla lista del materiale sotto elencato:

- Unità di posizionamento
- Base di alimentazione
- Imballo degli accessori:
  - Adattatore seriale
  - Cavo prolunga seriale
  - Chiavi a brugola
  - Distanziali
  - Etichetta
  - Fascette
  - Ferrite
  - Guaina siliconica
  - Guarnizioni di riduzione per pressacavi
  - Manuale di istruzioni
  - Piastra di fissaggio per sacchetto disidratante
  - Viteria
- Imballo dei contrappesi:
  - Contrappesi
  - Supporti per contrappesi
- Tettuccio
- Dotazione per montaggio kit per lavaggio (WASPT):
  - Staffa di sostegno ugello e relativa viteria (ugello e tubazioni sono presenti nella dotazione del kit di lavaggio)

## 6.4 Smaltimento in sicurezza dei materiali di imballaggio

I materiali d'imballo sono costituiti interamente da materiale riciclabile. Sarà cura del tecnico installatore smaltirli secondo le modalità di raccolta differenziata o comunque secondo le norme vigenti nel Paese di utilizzo.

## 6.5 Lavoro preparatorio prima dell'installazione

### 6.5.1 Fissaggio del supporto



**Per installazioni soggette a vibrazioni utilizzare solamente il supporto da parapetto.**

Sono disponibili diversi tipi di supporto (10 Accessori, pagina 31). Scegliere il supporto adeguato all'installazione e seguire tutte le istruzioni nel capitolo indicato.



**Porre particolare attenzione ai sistemi di fissaggio dell'apparecchiatura. Il sistema di fissaggio deve essere in grado di reggere almeno 4 volte il peso dell'intera apparecchiatura.**



**Il dispositivo deve essere montato in posizione verticale. Ogni posizionamento alternativo potrebbe compromettere le prestazioni dell'apparecchiatura.**



**Non montare il dispositivo capovolto.**

### 6.5.2 Passaggio cavi



**I cavi di collegamento non devono essere accessibili dall'esterno.**



**I cavi devono essere opportunamente fissati alla struttura per evitare che l'eccessivo peso ne comporti lo sfilamento accidentale.**



**I cavi utilizzati devono essere conformi al tipo di installazione.**

Introdurre i cavi all'interno del supporto in modo che fuoriescano per circa 50cm.

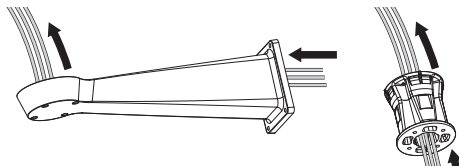


Fig. 7

## 7 Installazione



**Non effettuare per nessun motivo alterazioni o collegamenti non previsti in questo manuale. Il mancato rispetto delle indicazioni fornite nel manuale in merito ai collegamenti può portare a gravi pericoli per la sicurezza del personale e dell'impianto.**



**Non modificare i cablaggi già presenti nel prodotto. Il mancato rispetto di questa indicazione può portare a gravi pericoli per la sicurezza del personale e dell'impianto, oltre a far decadere la garanzia.**



**In caso di utilizzo del kit lavavetro, il supporto per l'ugello deve essere installato prima del posizionamento del brandeggio dei cablaggi. Per ulteriori chiarimenti, fare riferimento al manuale del kit specifico.**

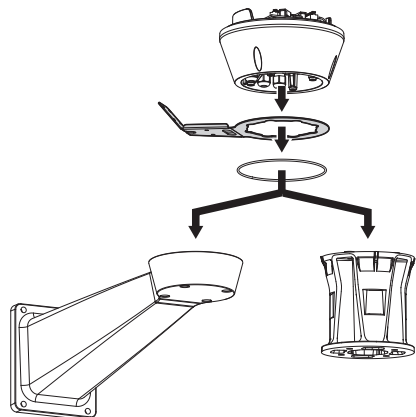


Fig. 8



**All'interno della calotta inferiore è presente un sacchetto disidratante utile per evitare la formazione di umidità nella base ed in corrispondenza alle schede connettori. Rimuovere il sacchetto prima dell'installazione.**

### 7.1 Collegamento dei cavi alla base

Introdurre i cavi all'interno dei pressacavi tenendo la base a circa 20cm dal supporto. Serrare i pressacavi. I pressacavi sono adatti per cavi con diametro compreso tra 5mm e 10mm.

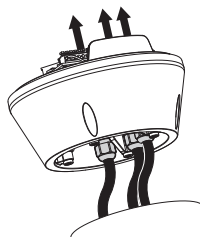


Fig. 9



**Prestare attenzione durante il fissaggio. Coppia di serraggio: 5Nm.**



**Per cavi di diametro da 3mm a 7mm utilizzare gli appositi gommini in dotazione.**

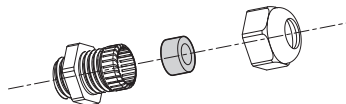


Fig. 10



## 7.2 Fissaggio della base al supporto

**⚠ Utilizzare le viti e le rondelle fornite con la base.**

Dopo aver posizionato la guarnizione (01), fissare la base (02) sul supporto (03) utilizzando le viti (04), le rondelle dentellate (05) e gli anelli per viti (06).

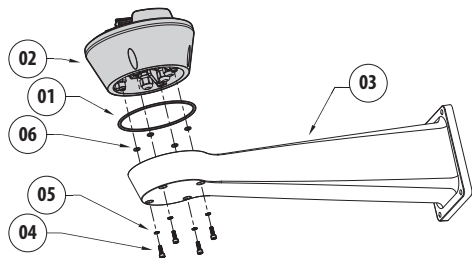


Fig. 11

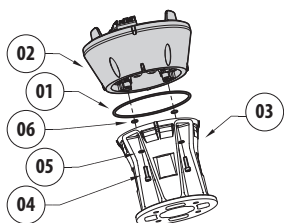


Fig. 12

Allineare le 3 tacche sulla base con quelle presenti sui supporti come illustrato nella figura seguente.

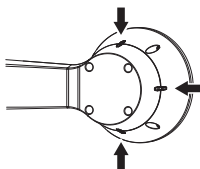


Fig. 13

**⚠ Applicare del frenafili nei fori delle viti (Loctite 243®).**

**⚠ Prestare attenzione durante il fissaggio. Coppia di serraggio: 6Nm.**

## 7.3 Descrizione della scheda connettori

### DESCRIZIONE DELLA SCHEDA CONNETTORI

Connettore/Componente	Funzione
CN1	Alimentazione della scheda
CN4	Cavi di segnale
Ethernet	Ethernet
F1	Fusibile
F2	Fusibile

Tab. 1

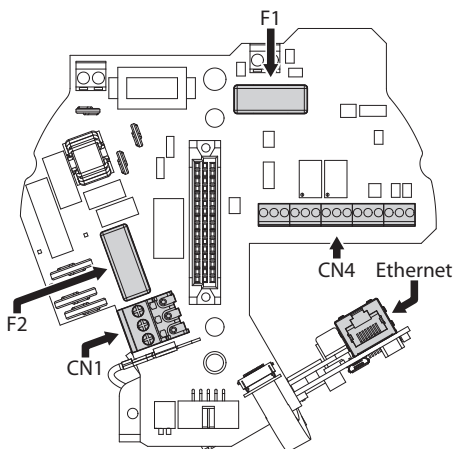


Fig. 14

## 7.4 Collegamento della linea di alimentazione

A seconda della versione, al dispositivo possono essere fornite diverse tensioni di alimentazione. Il valore di tensione di alimentazione è riportato nell'etichetta identificativa del prodotto (4.2 Marcatura del prodotto, pagina 8).

**Eeguire le connessioni elettriche in assenza di alimentazione e con dispositivo di sezionamento aperto.**

**All'atto dell'installazione controllare che le caratteristiche di alimentazione fornite dall'impianto corrispondano a quelle richieste dal dispositivo.**

**Verificare che la sorgente e il cavo di alimentazione siano adeguatamente dimensionati.**

**Il cavo di terra deve essere più lungo degli altri due di circa 10mm per prevenirne il distacco accidentale a causa dello stiramento.**

**Il cavo di alimentazione deve essere coperto con la guaina siliconica (01) presente nella dotazione. La guaina siliconica deve essere fissata con l'apposita fascetta (02).**

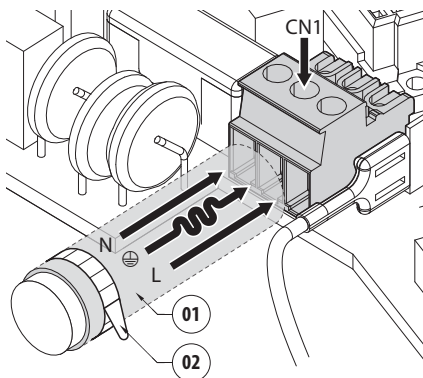


Fig. 15

### 7.4.1 Collegamento della linea di alimentazione in 24Vac

Tagliare a misura i cavi e realizzare i collegamenti. Collegare la linea di alimentazione al seguente morsetto: CN1.

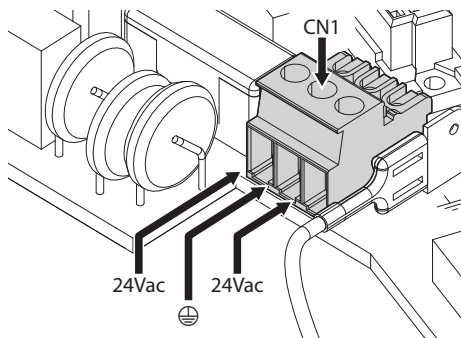


Fig. 16

Collegare i cavi di alimentazione come descritto nella tabella sottostante.

COLLEGAMENTO DELLA LINEA DI ALIMENTAZIONE	
Colore	Morsetti
Alimentazione 24Vac	
Definito dall'installatore	24Vac
Definito dall'installatore	24Vac
Giallo/Verde	⊕

Tab. 2

## 7.4.2 Collegamento della linea di alimentazione in 120Vac e 230Vac

Tagliare a misura i cavi e realizzare i collegamenti. Collegare la linea di alimentazione al seguente morsetto: CN1.

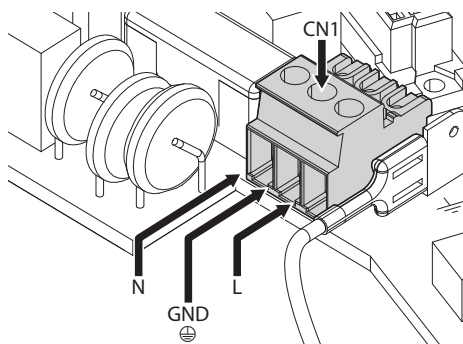


Fig. 17

Collegare i cavi di alimentazione come descritto nella tabella sottostante.

COLLEGAMENTO DELLA LINEA DI ALIMENTAZIONE	
Colore	Morsetti
Alimentazione 230Vac	
Blu	N (Neutro)
Marrone	L (Fase)
Giallo/Verde	⊕
Alimentazione 120Vac	
Blu	N (Neutro)
Marrone	L (Fase)
Giallo/Verde	⊕

Tab. 3

## 7.4.3 Collegamento degli ingressi di allarme, dell'interruttore crepuscolare e dei relè

**⚠ ATTENZIONE!** L'installazione è di tipo TNV-1. Non collegare a circuiti SELV.

**⚠ ATTENZIONE!** Per ridurre il rischio di incendio usare solamente cavi certificati UL Listed o CSA aventi sezioni maggiori o uguali a 0.14mm<sup>2</sup> (26AWG).

### Versione standard

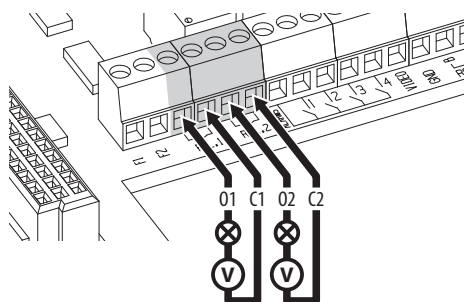


Fig. 18 Collegamento dei contatti dei relè.

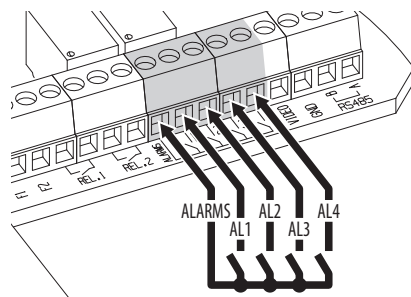


Fig. 19 Collegamento degli allarmi.

### Versione con illuminatori a LED

COLLEGAMENTO DEGLI INGRESSI DI ALLARME, DELL'INTERRUTTORE CREPUSCOLARE E DEI RELÈ	
AL1, AL2, AL3, AL4 e ALARMS	Ingressi di allarme auto-alimentati riferiti al morsetto comune ALARMS
O1-C1 e O2-C2	Contatti puliti di uscita attivabili da allarme o da comando utente

Tab. 4

**i** Collegare l'interruttore crepuscolare ai morsetti ALARMS e AL1. Il contatto di allarme AL1 è dedicato di default all'interruttore crepuscolare.

## 7.5 Collegamento del cavo di rete Ethernet

Collegare il cavo Ethernet al relativo connettore (Ethernet, 7.3 Descrizione della scheda connettori, pagina 13).

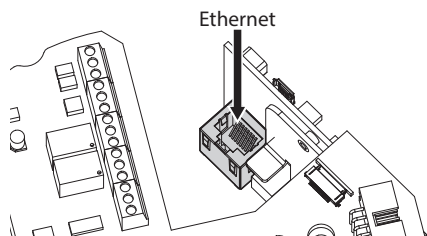


Fig. 20

## 7.6 Fissaggio del corpo superiore

Fissare il corpo superiore (01) alla base (02) tramite le viti di fissaggio (03) dotate di guarnizioni (04). Controllare che sia presente e in buono stato la guarnizione della base (05).

**⚠ Prestare attenzione durante il fissaggio. Coppia di serraggio: 4Nm.**

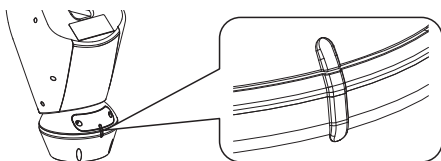
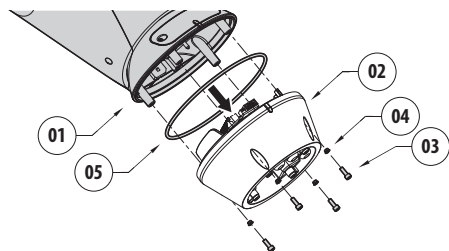


Fig. 21

**i** Esiste un'unica posizione di ancoraggio tra la base e corpo superiore. Allineare le sporgenze laterali per un corretto posizionamento.

## 7.7 Montaggio dei contrappesi

Fissare i contrappesi alla custodia usando le viti e le rondelle in dotazione.

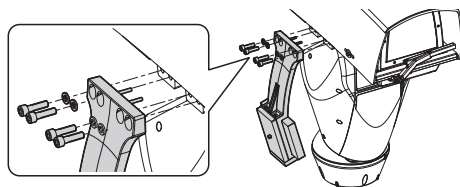


Fig. 22

**⚠ Applicare del frenafletti nei fori delle viti (Loctite 243®).**

**⚠ Prestare attenzione durante il fissaggio. Coppia di serraggio: 16Nm.**

## 7.8 Montaggio degli illuminatori a LED

**!** Per un corretto funzionamento si devono sempre installare entrambi gli illuminatori.

**i** Sul brandeggio è possibile installare esclusivamente illuminatori VIDEOTEC.

### 7.8.1 Rimozione dei contrappesi

Svitare le viti e rimuovere i contrappesi esterni.

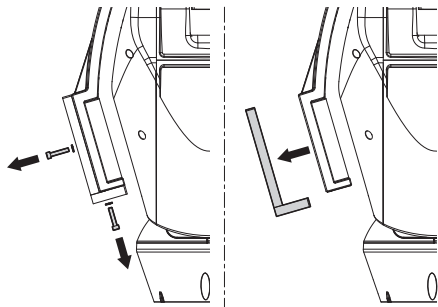


Fig. 23

### 7.8.2 Montaggio dell'illuminatore sulla staffa

Individuare i fori anteriori presenti sulla staffa del contrappeso.

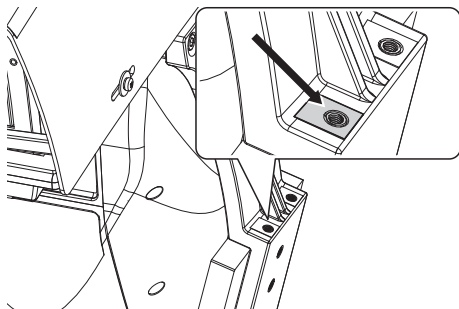


Fig. 24

Posizionare i fissaggi dell'illuminatore (01) su quelli della staffa (02).

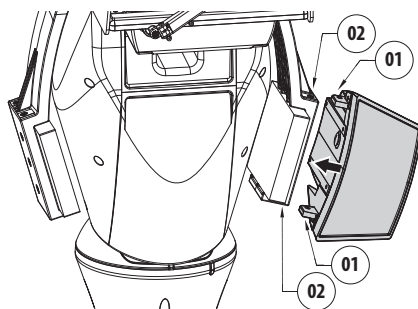


Fig. 25

Avvitare le viti e le rondelle precedentemente rimosse.

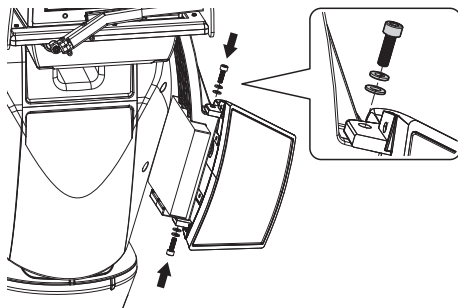


Fig. 26

**!** Prestare attenzione durante il fissaggio.  
Coppia di serraggio: 6Nm.

## 7.9 Collegamento degli illuminatori a LED

Inserire i cavi di alimentazione per almeno 25cm attraverso i pressacavi. Serrare i pressacavi.

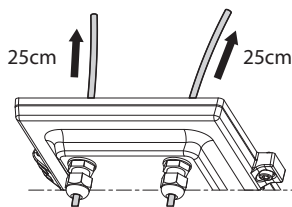


Fig. 27

**!** Per non compromettere la sicurezza e il funzionamento dell'unità non lasciare eccedenza di cavo all'esterno.

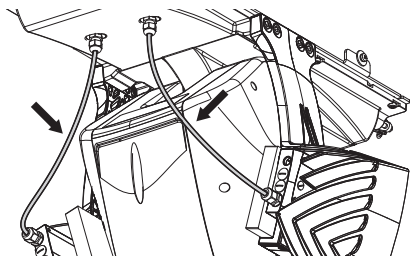


Fig. 28

Collegare i cavi come illustrato in figura.

L'illuminatore sinistro (MASTER) deve essere connesso al connettore J15. L'illuminatore destro (SLAVE) deve essere connesso al connettore J9.

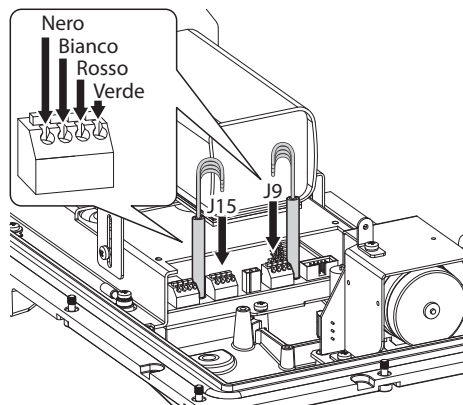


Fig. 29

## 7.10 Regolazione e modalità di attivazione degli illuminatori a LED

Una volta effettuata la regolazione, l'illuminatore di sinistra (MASTER) sincronizza e controlla l'illuminatore di destra (SLAVE).

L'interruttore crepuscolare rileva la luce ambientale e controlla l'accensione e lo spegnimento degli illuminatori quando la luminosità raggiunge il livello impostato dall'utilizzatore.

Quando gli illuminatori a LED sono attivi la telecamera passa in modalità Notturna tramite l'apposito comando ONVIF.

### 7.10.1 Descrizione dell'illuminatore a LED

**!** Per non compromettere la sicurezza e il funzionamento dell'illuminatore non rimuovere la vite trasparente del sensore crepuscolare.

- **Sensore crepuscolare:** Rileva il livello di luminosità.
- **Cavo:** Alimentazione e controllo.
- **Regolatore soglia accensione:** Il potenziometro permette di regolare il livello di sensibilità per l'accensione dell'illuminatore.
- **Regolatore potenza infrarossi:** Il potenziometro permette di regolare la potenza dell'illuminatore.

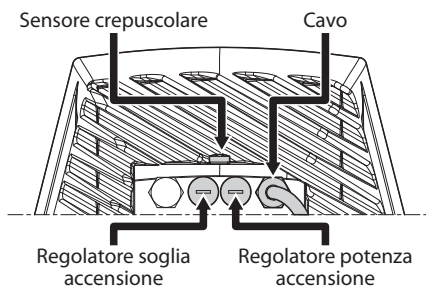


Fig. 30

### 7.10.2 Regolazione della soglia di accensione degli illuminatori a LED

**!** L'illuminatore destro deve sempre essere impostato a luminosità massima.

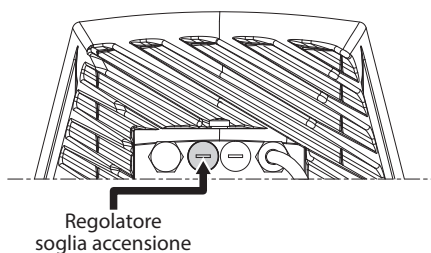


Fig. 31

L'illuminatore ha un sensore crepuscolare integrato che consente l'accensione e lo spegnimento automatico a condizioni luminose prestabilite.

La regolazione del sensore crepuscolare è effettuata in fabbrica ad un livello luminoso prefissato ed idoneo alla maggior parte delle installazioni (circa 50lx). Nel caso si voglia regolare in maniera diversa la soglia di intervento, svitare il tappo in metallo posizionato sul retro dell'illuminatore e provvedere alla regolazione tramite un cacciavite.

Ruotando il trimmer in senso orario la commutazione in modalità notturna è anticipata (ad un valore di luminosità maggiore). Ruotando il trimmer in senso antiorario la commutazione in modalità notturna è ritardata (ad un valore di luminosità inferiore).

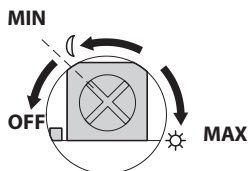


Fig. 32

Attendere le condizioni di luminosità adeguate per l'accensione dell'illuminatore. Ruotare lentamente il trimmer fino all'accensione del LED presente a lato del trimmer. Una volta oltrepassata la soglia di intervento (LED acceso), ruotare leggermente in senso opposto.

**!** Al termine delle regolazioni accertarsi che il tappo di chiusura sia adeguatamente serrato per garantire la tenuta ermetica del prodotto.

### 7.10.3 Regolazione della potenza degli illuminatori a LED

**!** L'illuminatore destro deve sempre essere impostato a potenza minima.

L'illuminatore è regolato in fabbrica per erogare la massima potenza. Qualora non servisse illuminare dettagli lontani o se l'immagine risultasse sovraesposta per l'eccessiva luminosità, diminuire la potenza, ottenendo inoltre un risparmio energetico.

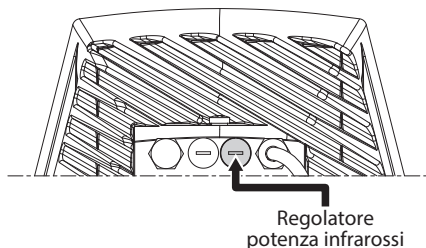


Fig. 33

Svitare il tappo di chiusura ermetica. Ruotare il trimmer in senso orario per aumentare la potenza degli infrarossi e in senso antiorario per diminuirli.

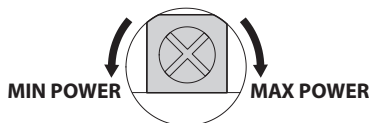


Fig. 34

**!** Al termine delle regolazioni accertarsi che il tappo di chiusura sia adeguatamente serrato per garantire la tenuta ermetica del prodotto.

## 7.11 Fissaggio della spazzola del tergicristallo

Inserire la spazzola sull'albero del tergicristallo.  
Mettere la spazzola nella posizione di riposo.

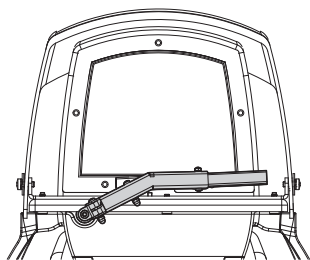


Fig. 35

Fissare il tutto tramite la rondella dentellata e il dado.

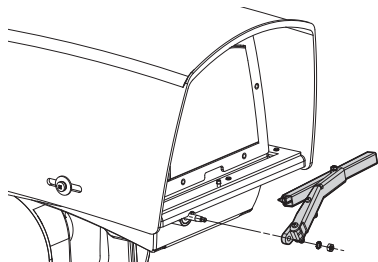


Fig. 36

**i** La regolazione corretta deve permettere alla spazzola di ritornare nella posizione di riposo andando in battuta sulla piastra del corpo.

## 8 Accensione

**⚠** Assicurarsi che l'unità e gli altri componenti dell'impianto siano chiusi in modo idoneo a impedire il contatto con parti sotto tensione.

**⚠** Durante il normale funzionamento la superficie dell'illuminatore può raggiungere temperature elevate. Evitare il contatto diretto e posizionare l'apparecchiatura in luogo non accessibile al personale non autorizzato. Per qualunque operazione di manutenzione spegnere il dispositivo d'illuminazione e lasciarlo raffreddare per almeno 10 minuti.

**⚠** Non sostare nei pressi del dispositivo quando alimentato. Agire sul dispositivo solo in assenza di alimentazione.

**⚠** Accertarsi che tutte le parti siano fissate in maniera solida ed affidabile.

Collegare l'alimentazione elettrica per accendere l'unità.

Scollegare l'alimentazione elettrica per spegnere l'unità.



# 9 Configurazione

## 9.1 Interfaccia web

**i** L'unità è configurata per ottenere l'indirizzo IP da un server DHCP.

**i** **Browser supportati (ultima versione):**  
Microsoft Edge, Google Chrome™, Mozilla Firefox.

**i** Il MAC Address è riportato sull'etichetta presente sulla scheda CPU.

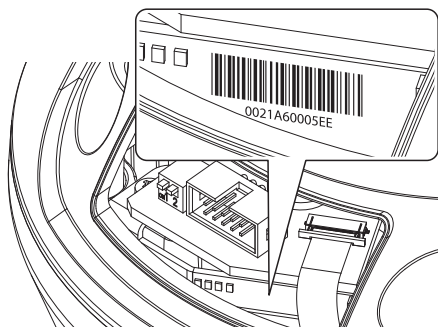


Fig. 37

La prima operazione per configurare il dispositivo consiste nel connettersi alla sua interfaccia web.

L'indirizzo IP acquisito via DHCP è visibile nel file log del server DHCP.

Se il server DHCP non è disponibile, l'unità si configura automaticamente con un indirizzo IP autogenerato nella sottorete 169.254.x.x/16. Configurare l'indirizzo IP del PC come appartenente alla stessa sottorete (esempio: indirizzo IP: 169.254.1.1, subnet mask: 255.255.0.0).

Per ricercare l'indirizzo IP del dispositivo usare un VMS compatibile ONVIF o un network sniffer (IP scan utility).

Per accedere al brandeggio sarà sufficiente collegarsi con un browser all'indirizzo [http://indirizzo\\_ip](http://indirizzo_ip) e effettuare il login al brandeggio con le credenziali predefinite:

- **Username:** admin
- **Password:** admin

### 9.1.1 Pagina Home

Se il login viene effettuato con successo, verrà mostrata l'interfaccia di gestione del prodotto.



Fig. 38

## 9.1.2 Pagina Controlli Utente

Per controllare il dispositivo via browser, selezionare la voce Controlli Utente. Si aprirà una nuova finestra con una tastiera virtuale per inviare i comandi.

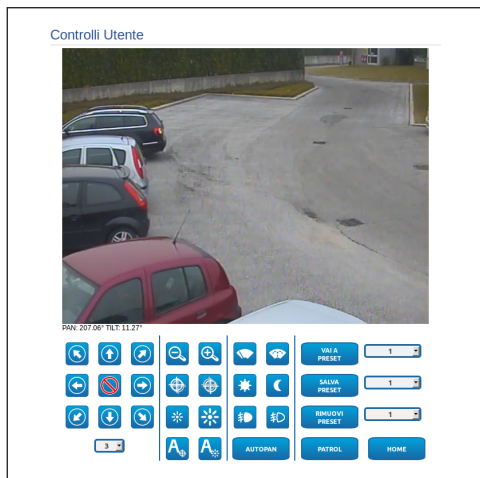


Fig. 39

Nella tastiera virtuale si trovano i seguenti comandi:

- **Selettore velocità:** Permette di selezionare la velocità dei movimenti del brandeggio.



Fig. 40

- **Zoom Wide/Zoom Tele**



Fig. 41

- **Focus near/Focus far/Autofocus**



Fig. 42

- **Iris close/Iris open/Auto iris**



Fig. 43

- **Wiper/Washer**



Fig. 44

- **Day:** Attiva il filtro IR della camera. Se presenti, spegne gli illuminatori a LED.



Fig. 45

- **Night:** Disattiva il filtro IR della camera. Se presenti, accende gli illuminatori a LED.



Fig. 46

- **Visible Cut Filter On:** Abilita il filtro per il riverbero (nei modelli che ne sono equipaggiati). Questo filtro permette di ottenere immagini nitide (in bianco e nero) con condizioni di foschia o in inquadrature in controluce.



Fig. 47

- **Visible Cut Filter Off:** Disabilita il filtro per il riverbero (nei modelli che ne sono equipaggiati).



Fig. 48

- **Autopan:** Attiva il posizionamento ciclico tra 2 preset di pan, tilt e zoom.



Fig. 49

- **Vai a Preset/Salva Preset/Rimuovi Preset**



Fig. 50

- **Patrol:** Attiva la modalità pattugliamento automatico che ripete in maniera sequenziale o casuale i preset di pan, tilt e zoom.



Fig. 51

- **Torna alla Home**



Fig. 52

### 9.1.3 Pagina Parametri Dispositivo

Alla voce del menu Parametri Dispositivo è possibile impostare il nome del dispositivo e visualizzare altre informazioni aggiuntive.

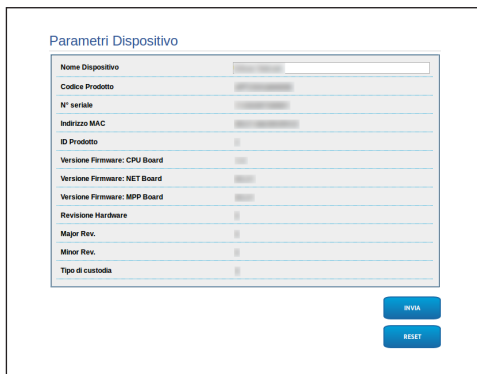


Fig. 53

## 9.1.4 Pagina Statistiche Dispositivo

Alla voce del menu Statistiche Dispositivo sono riportate per la sola consultazione tutte le statistiche raccolte durante il funzionamento del dispositivo.

Statistiche Dispositivo	
Grati Pan	152684
Grati TR	13102
Accessioni	361
Ore di lavoro	389
Temperatura massima custodia (°C)	36
Temperatura minima custodia (°C)	19
Temperatura massima scheda PAN (°C)	61
Temperatura minima scheda PAN (°C)	22
Temperatura massima scheda CPU (°C)	57
Temperatura minima scheda CPU (°C)	22
Temperatura massima scheda NET (°C)	50
Temperatura minima scheda NET (°C)	20

Fig. 54

## 9.1.5 Pagina Configurazione Rete

Alla voce del menu Rete è possibile cambiare l'impostazione di rete del brandeggio. È possibile decidere se il dispositivo debba avere un indirizzo assegnato staticamente, dinamicamente con DHCP o autogenerato. Il dispositivo supporta il protocollo Internet Protocol (IP) in versione 4.



**Con indirizzo autogenerato il dispositivo provvederà automaticamente ad assegnarsi un indirizzo nel range 169.254.0.0/16.**

Nella stessa pagina è possibile configurare 2 DNS e decidere quali meccanismi debbano essere attivi per identificare automaticamente i dispositivi nella rete locale.

Configurazione Rete	
Versione IP	IPv4
Tipo indirizzo	STATICO
Indirizzo IP (IPv4)	192.168.103.121
Subnet Mask (IPv4)	255.255.255.0
Gateway (IPv4)	192.168.103.1
Ricerca automatica DNS	DISABILITATO
Server DNS preferito	8.8.4.4
Server DNS alternativo	8.8.8.8
Date & Time	2013-05-27 14:42:16 UTC
Server NTP	DISABILITATO
PC Sync	ATTIVO
UPnP	ATTIVO
Zeroconf	ATTIVO
Multicast discovery	ATTIVO
WS discovery	ATTIVO

Fig. 55

**Server NTP:** È possibile inoltre specificare se il dispositivo debba sincronizzarsi con un server NTP (Network Time Protocol) esterno.

- **DISABILITATO:** Selezionare questa opzione se non si desidera sincronizzare data e ora del dispositivo.
- **DHCP:** Selezionare questa opzione nel caso si desideri sincronizzare data e ora del dispositivo con quelle di un server NTP (Network Time Protocol) indicato dal server DHCP.
- **STATICO:** Selezionare questa opzione nel caso si desideri sincronizzare data e ora del dispositivo con quelle del server NTP specificato dall'indirizzo statico.

**i** Per un corretto funzionamento del dispositivo è necessario sincronizzarlo con il software VMS utilizzando un server NTP.

## 9.1.6 Pagina Configurazione Utenti

Alla voce del menu Configurazione Utenti è possibile amministrare gli utenti che possono accedere al dispositivo. Gli utenti di tipo Administrator possono accedere alla configurazione completa del dispositivo. Gli utenti di tipo Operator, User e Anonymous hanno accesso limitato alle pagine di gestione.



Fig. 56

**i** Il dispositivo può essere configurato solo da utenti con privilegi di amministratore.

## 9.1.7 Pagina Parametri Movimento

Alla voce del menu Parametri Movimento è possibile controllare via web tutti i parametri del brandeggio.

- **Offset Pan:** Il brandeggio ha una posizione di 0° definita meccanicamente. La funzione Offset Pan permette di definire via software una diversa posizione di 0°.
- **Velocità Massima:** Imposta la velocità manuale massima.
- **Velocità con Zoom:** Tale parametro, se abilitato, riduce automaticamente la velocità di Pan e Tilt in funzione del fattore di Zoom.
- **Fattore di Tilt:** Imposta il fattore di riduzione della velocità manuale dell'asse tilt.
- **Limiti Pan:** Abilita i limiti del Pan.
- **Pan Inizio:** Imposta il limite iniziale del Pan.
- **Pan Fine:** Imposta il limite finale del Pan.
- **Tilt Inizio:** Imposta il limite iniziale del Tilt.
- **Tilt Fine:** Imposta il limite finale del Tilt.

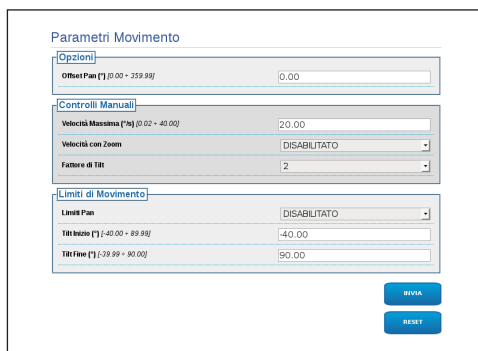


Fig. 57

### 9.1.7.1 Pagina Autopan

Alla voce del menu Autopan è possibile specificare il preset di inizio e di fine dell'autopan.

The screenshot shows a window titled "Autopan" with two input fields: "Preset iniziale (1 - 250)" containing the value "1" and "Preset finale (2 - 250)" containing the value "2". Below the fields are two blue buttons labeled "INVA" and "RESET".

Fig. 58

### 9.1.7.2 Pagina Patrol

Alla voce del menu Patrol è possibile specificare il preset di inizio e di fine del patrol. È inoltre possibile specificare se la scansione dei preset debba avvenire in modo casuale o meno.

The screenshot shows a window titled "Patrol" with three input fields: "Preset iniziale (1 - 250)" containing "1", "Preset finale (2 - 250)" containing "250", and "Modality Random" with a dropdown menu showing "DISABILITATO". Below the fields are two blue buttons labeled "INVA" and "RESET".

Fig. 59

### 9.1.7.3 Pagina Richiamo Movimenti

Alla voce del menu Richiamo Movimenti è possibile specificare un intervallo di tempo di inattività terminato il quale il brandeggio provvederà ad eseguire una delle seguenti funzioni: ritorno alla posizione Home, avvio dell'autopan o avvio del patrol.

The screenshot shows a window titled "Richiamo Movimenti" with two input fields: "Tipo" with a dropdown menu showing "NONE" and "Timeout (20 - 240)" containing the value "60". Below the fields are two blue buttons labeled "INVA" and "RESET".

Fig. 60

### 9.1.8 Pagina Parametri Preset

Alla voce del menu Parametri Preset sono configurabili alcuni parametri relativi ai preset:

- **Velocità Scan:** La velocità in gradi al secondo con cui viene raggiunto un preset su richiesta esplicita dell'operatore.
- **Tipo Di Rampa:** Permette di selezionare le accelerazioni del brandeggio.
- **Velocità Movimenti Default:** La velocità usata nelle operazioni di autopan e patrol.
- **Imponi Velocità di Default:** La velocità di default verrà impostata anche come velocità di scan per tutti i preset.
- **Pausa Default:** Il tempo in secondi di permanenza di default in ogni preset.
- **Imponi Pausa di Default:** La pausa di default verrà impostata per tutti i preset.

The screenshot shows a window titled "Parametri Preset" with several input fields: "Velocità Scan (°/s) (0.02 - 40.00)" containing "20.00", "Tipo di Rampa" with a dropdown menu showing "1", "Velocità Movimenti Default (°/h) (0.02 - 40.00)" containing "20.00", "Imponi velocità di default" with a dropdown menu showing "NO", "Pausa Default (s) (0 - 240)" containing "5", and "Imponi pausa di default" with a dropdown menu showing "NO". Below the fields are two blue buttons labeled "INVA" and "RESET".

Fig. 61

### 9.1.9 Pagina Parametri Preset (Avanzato)

Nella sezione Parametri Preset (Avanzato) è possibile personalizzare i valori di velocità e pausa per ciascun preset, oltre che ad abilitare/disabilitare i preset stessi.

The screenshot shows a window titled "Parametri Preset (Avanzato)" with several input fields: "Preset ID" with a dropdown menu showing "1", "Attivo" with a dropdown menu showing "SI", "Pan" containing "0.00°", "Tilt" containing "0.00°", "Zoom" containing "4095", "Velocità Movimenti (0.02 - 40.00)" containing "20.00", and "Pausa (0 - 240)" containing "5". Below the fields are two blue buttons labeled "INVA" and "RESET".

Fig. 62

## 9.1.10 Pagina I/O Digitali

Alla voce del menu I/O Digitali è possibile configurare i canali digitali presenti nel dispositivo. Segue una breve descrizione dei parametri configurabili per ciascun ingresso digitale.

- **ID Allarme:** Campo utilizzato per selezionare l'ingresso digitale desiderato.
- **Tipo:** Indica lo stato di default dell'ingresso digitale.
- **Azione:** A ciascun ingresso può essere associata un'azione. L'azione viene attivata nel momento in cui il contatto passa in uno stato diverso da quello di default. Di seguito sono elencate le azioni disponibili:
  - **NONE:** Nessuna azione.
  - **SCAN:** Posiziona il brandeggio sul preset selezionato.
  - **PATROL:** Attiva il PATROL.
  - **AUTOPAN:** Attiva l'AUTOPAN.
  - **WIPER:** Attiva il Wiper.
  - **WASHER:** Attiva la sequenza di lavaggio del vetro.
  - **RELE' 1:** Attiva il Relè 1.
  - **RELE' 2:** Attiva il Relè 2.
  - **IR FILT:** Disattiva il Filtro IR della camera. Se presenti, accende gli illuminatori a LED.

Per un controllo del corretto funzionamento degli allarmi, nella pagina web è presente un pallino. Il pallino sarà verde in condizioni normali e rosso quando viene rilevato un allarme.

I/O Digitali	
ID Allarme	1
Tipo	NORMALMENTE APERTO
Azione	NONE

OK RESET

Fig. 63

## 9.1.11 Pagina Washer

Alla voce del menu Impianto di lavaggio è possibile configurare le funzionalità del sistema di lavaggio del dispositivo.

Washer	
Preset upolo (I = 200)	1
Ritardo attivazione tergi (I = 240)	5
Data lavaggi (I = 240)	5
Ritardo disattivazione tergi (I = 240)	5

OK RESET

Fig. 64

## 9.1.12 Pagina Parametri Camera



**Il cambio dei dati nella sezione "Protocollo ed autenticazione" potrebbero rendere inaccessibile la telecamera. I dati impostati in fabbrica consentono il corretto accesso al sistema.**



**Si raccomanda di non modificare i dati nella sezione "Caratteristiche Lenti" per non pregiudicare il corretto funzionamento del sistema. Il solo campo utile per l'utente finale è "Autofocus".**

In questa sezione è possibile visualizzare i dati relativi ai diversi profili ONVIF esportati dalla camera.

**Parametri Camera**

**Protocollo e Autenticazione**

Protocollo: ONVIF PROFILE S

Nome utente: service

Password: \*\*\*\*

Reinserire la password: \*\*\*\*

---

**Profili di Streaming**

ID Profilo: 0

Profilo: media\_profile1

Codec: H.264

Risoluzione: 1920 x 1080

Limite framerate: 30 fps

Limite bitrate: 6000 kbps

GOP: 30 frames

Zoom abilitato: No

---

**Caratteristiche Lenti**

Lenti: MOTORIZZATE

Fattore di zoom (Z > 50): 1

Intervalle posizionamento lenti (D > 255): 20

Tipo di motore: POLARITÀ INVERSA

Polarità di rotazione dello Zoom: POSITIVA

Polarità di rotazione del Focus: POSITIVA

Polarità di rotazione dell'Iris: POSITIVA

Sonda IR: ESTERNA

Autofocus: TRIGGER MANUALE

Fig. 65

Per modificare le impostazioni della telecamera selezionare il pulsante VTunnel o semplicemente il pulsante Camera nel menu strumenti (9.1.13 Pagina Strumenti, pagina 28).

## 9.1.13 Pagina Strumenti



**In caso di reset il PTZ viene ripristinato alle condizioni di fabbrica. Per accedere al sistema seguire le indicazioni del relativo capitolo (9.1 Interfaccia web, pagina 21).**

Alla voce del menù Strumenti è possibile reimpostare i valori predefiniti per tutta la configurazione del dispositivo o solo per alcune sezioni specifiche.

In questa sezione è inoltre possibile:

- Aggiornare il firmware del dispositivo.
- Riavviare il dispositivo.
- Scaricare l'applicativo VTunnel per abilitare la connessione con la camera IP indispensabile per accedere alla pagina web della stessa (9.2 VTunnel, pagina 30).
- Accedere alle pagine web della telecamera (9.3 Camera, pagina 30).

**Strumenti**

Rimozione di tutti i preset.

Reset dei Parametri di Movimento, dei Parametri del Washer e degli IO digitali ai valori di default.

Reset delle impostazioni di autenticazione.

Reset delle impostazioni di rete.

Reset di tutte le impostazioni.

Aggiornamento del firmware del dispositivo.  No file selected.

Riavvio del dispositivo.

Scaricare ed eseguire il programma VTunnel per accedere alla pagina della camera.

Accedi alle pagine web della telecamera.

Fig. 66



## 9.1.14 Factory Default



**Se la password di accesso al brandeggio non è più disponibile, è possibile ripristinare le impostazioni di fabbrica tramite un tasto di Reset, situato all'interno del prodotto.**



**Per la ricerca e l'identificazione del brandeggio seguire le indicazioni del relativo capitolo (9.1 Interfaccia web, pagina 21). In questo caso però le credenziali di accesso al sistema sono quelle della telecamera e non del brandeggio. Nel caso in cui le credenziali siano quelle di default della telecamera (impostate da Videotec) esse sono:**

**Login: service**

**Password: Videotec2020-**

Per ripristinare le impostazioni di fabbrica relative alla rete, all'accesso utenti e alla configurazione della camera seguire la procedura:

- Alimentare l'unità.
- Aprire lo sportellino dei DIP-switch.
- Localizzare il DIP-switch 4 (01). Portare lo switch 1 verso il basso, valore 1 (ON).
- Attendere lo spegnimento temporaneo dei LED (02).
- Riportare lo switch 1 verso l'alto, valore 0 (OFF).
- Chiudere lo sportellino dei connettori.
- Seguire le indicazioni del paragrafo 9.1 per la ricerca dell'indirizzo (9.1 Interfaccia web, pagina 21).

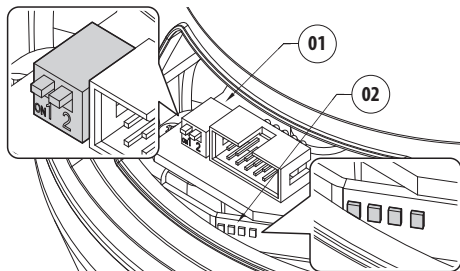


Fig. 67

I parametri necessari sono:

- Il protocollo IP usato per comunicare con la telecamera (ONVIF PROFILE S).
- Il tipo di lenti installate (MOTORIZZATA).
- Le credenziali necessarie per connettersi alla telecamera IP (nome utente: "service"; password: "Videtotec2020-").
- Riavviare il dispositivo.
- Se impostato ancora in DHCP il prodotto potrebbe aver cambiato indirizzo.

Fig. 68

## 9.2 VTTunnel

**i** **L'applicativo funziona solo con Java™. Se Java™ non è stato precedentemente installato scaricare l'ultima versione dal sito [www.java.com](http://www.java.com).**

**i** **L'applicativo può collegarsi solo alla prima interfaccia di rete attiva. Lasciare connesso solo il cavo di rete collegato al brandeggio.**

**i** **L'esecuzione dell'applicativo richiede i privilegi di amministrazione del computer. Potrebbe apparire a monitor il messaggio You have to execute Javaw as administrator. In questo caso sarà necessario modificare le proprietà di esecuzione del file javaw.exe situato nella cartella di installazione di Java.**

Per potersi connettere all'interfaccia web della telecamera è necessario utilizzare l'applicativo VTTunnel, avviabile dalla voce di menù Strumenti.

All'avvio dell'applicativo verrà mostrato un elenco di dispositivi collegati in rete. Per collegarsi alla camera è necessario selezionare il brandeggio desiderato e premere il tasto Connect.

Una volta stabilita la connessione, la pagina web della telecamera IP sarà raggiungibile all'indirizzo 192.0.0.64 .

Terminate le operazioni sulla telecamera, si potrà chiudere la connessione premendo il tasto Disconnect. È possibile collegarsi ad una sola telecamera alla volta, quindi è necessario disconnettersi dal brandeggio prima di poter operare su un'altra unità di posizionamento.

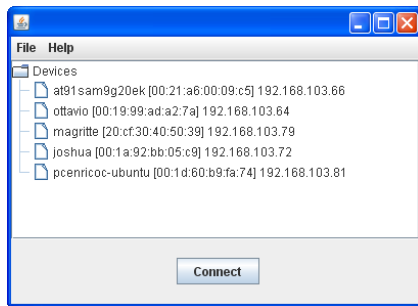


Fig. 69

**i** **Se durante la configurazione della telecamera vengono modificati i parametri di streaming video è necessario riavviare il brandeggio.**

## 9.3 Camera

**i** **Per informazioni dettagliate fare riferimento al manuale della telecamera, scaricabile dal web.**

**i** **Per accedere al menu della telecamera, il brandeggio non deve avere indirizzo autogenerato o in DHCP.**

Accedere alla pagina web della telecamera.

I dati di default di accesso alla camera sono:

- Login: "service"
- Password: "Videotec2020-"

## 10 Accessori

**i** Per ulteriori dettagli sulla configurazione e l'utilizzo fare riferimento al manuale del relativo accessorio.

### 10.1 Impianto di lavaggio

Il prodotto può essere dotato di una pompa esterna che fornisce acqua per la pulizia del vetro.

Quando si invia il comando il brandeggio si posiziona con la finestra di fronte all'ugello (9.1.2 Pagina Controlli Utente, pagina 22). Vengono attivati la pompa ed il tergicristallo per un tempo determinato. Alla fine della procedura il brandeggio ritorna nella posizione iniziale.

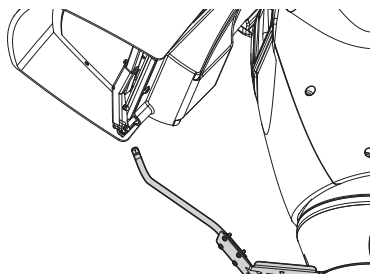


Fig. 70

#### 10.1.1 Collegamento dell'impianto di lavaggio

**!** **ATTENZIONE!** L'installazione è di tipo TNV-1. Non collegare a circuiti SELV.

**!** **ATTENZIONE!** Per ridurre il rischio di incendio usare solamente cavi certificati UL Listed o CSA aventi sezioni maggiori o uguali a  $0.14\text{mm}^2$  (26AWG).

**!** **Tutti i cavi di segnale devono essere raggruppati con una fascetta.**

COLLEGAMENTO DELL'IMPIANTO DI LAVAGGIO	
Morsetti	Descrizione
O1-C1	Contatto pulito per attivazione dell'impianto di lavaggio.

Tab. 5

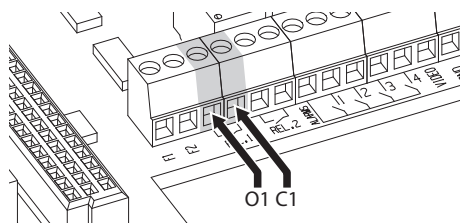


Fig. 71

## 10.2 Supporto da parete

Supporto per montaggio a parete con passaggio interno cavi.

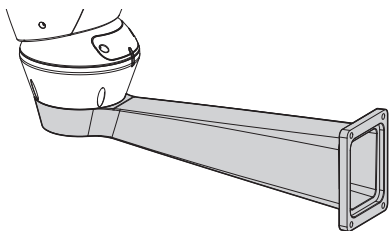


Fig. 72

## 10.3 Supporto da parapetto

Supporto per montaggio a parapetto con passaggio interno cavi.

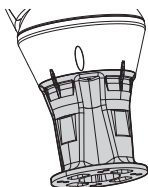


Fig. 73

## 10.4 Alimentatore con controllo degli illuminatori

Scatola stagna con alimentatore e controllo degli illuminatori.

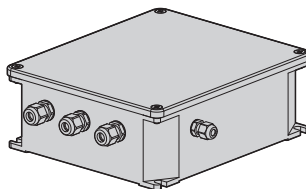


Fig. 74 Versione della scatola standard.

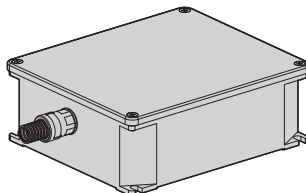




Fig. 75 Versione della scatola certificata UL.




**Per ulteriori informazioni fare riferimento al relativo capitolo (7.4.3 Collegamento degli ingressi di allarme, dell'interruttore crepuscolare e dei relè, pagina 15).**

## 11 Manutenzione

 **ATTENZIONE!** L'installazione e la manutenzione del dispositivo devono essere eseguite solo da personale tecnico specializzato.

 La manutenzione deve essere eseguita solo da personale qualificato ad intervenire su circuiti elettrici.

### 11.1 Sostituzione dei fusibili

 **Eeguire la manutenzione in assenza di alimentazione e con il dispositivo di sezionamento aperto.**

In caso di necessità sostituire il fusibile illustrato in figura (7.3 Descrizione della scheda connettori, pagina 13).

SOSTITUZIONE DEI FUSIBILI		
Tensione	Fusibile F1	Fusibile F2
24Vac, 50/60Hz	F 6.3A H 250V 5x20	T 8A H 250V 5x20
120Vac, 50/60Hz	F 6.3A H 250V 5x20	T 4A H 250V 5x20
230Vac, 50/60Hz	F 6.3A H 250V 5x20	T 2A H 250V 5x20

Tab. 6

## 12 Pulizia

### 12.1 Pulizia della finestra e delle parti in plastica

 **Evitare alcool etilico, solventi, idrocarburi idrogenati, acidi forti e alcali. L'utilizzo di detti prodotti danneggia in modo irreparabile la superficie trattata.**

Si consiglia di utilizzare un panno morbido con sapone neutro diluito con acqua o prodotti specifici per la pulizia delle lenti degli occhiali.

## 13 Informazioni sullo smaltimento e il riciclo

La Direttiva Europea 2012/19/UE sui Rifiuti di Apparecchiature Elettriche ed Elettroniche (RAEE) prevede che questi apparecchi non debbano essere smaltiti nel normale flusso dei rifiuti solidi urbani, ma che vengano raccolti separatamente per ottimizzare il flusso di recupero e riciclaggio dei materiali che li compongono ed impedire potenziali danni per la salute e per l'ambiente dovuti alla presenza di sostanze potenzialmente pericolose.



**Il simbolo del bidone barrato è riportato su tutti i prodotti per ricordarlo.**

I rifiuti possono essere conferiti agli appositi centri di raccolta, oppure, possono essere consegnati gratuitamente al distributore dove è stata acquistata l'apparecchiatura all'atto di acquisto di una nuova equivalente o senza obbligo di un acquisto nuovo per le apparecchiature di dimensioni minori di 25cm.

Per ulteriori informazioni sulla corretta dismissione di questi apparecchi ci si può rivolgere al servizio pubblico preposto.

## 14 Risoluzione dei problemi



**Per qualunque problematica non descritta o se i problemi elencati di seguito dovessero persistere, contattare il centro di assistenza autorizzato.**

<b>PROBLEMA</b>	<b>Il prodotto non si accende.</b>
CAUSA	Errato cablaggio, rottura dei fusibili.
SOLUZIONE	Verificare la corretta esecuzione delle connessioni. Verificare la continuità dei fusibili e, in caso di guasto, sostituirli con i modelli indicati.
<b>PROBLEMA</b>	<b>Durante l'accensione il brandeggio rimane bloccato.</b>
CAUSA	La temperatura ambiente è molto bassa.
SOLUZIONE	Attendere il termine della procedura di preriscaldamento.
<b>PROBLEMA</b>	<b>La telecamera non mette a fuoco correttamente</b>
CAUSA	La telecamera ha perso le impostazioni
SOLUZIONE	Contattare l'assistenza per la procedura guidata di backfocus.
<b>PROBLEMA</b>	<b>A basse temperature lo streaming video non è raggiungibile, molte voci dei menù sono disattivate.</b>
CAUSA	Il sistema è ancora in fase di deicing (la durata tipica è da 1 a 2 ore)
SOLUZIONE	Dal menu strumenti cliccare sul pulsante RIAVVIA. Se la temperatura ambiente è troppo bassa l'unità rimane bloccata.

## 15 Dati tecnici

### 15.1 Generale

Top mount (OTT)

Trasmissione per mezzo di cinghia dentata

Slip-ring

Finecorsa elettronici

Assenza di gioco meccanico

Sensori ottici per feedback su posizionamento assoluto

Tergicristallo integrato

Telecamera ed ottica preinstallate

### 15.2 Meccanica

Costruzione in pressofusione di alluminio e tecnopolimero

Verniciatura a polveri di epossipoliestere, colore RAL9002

Rotazione orizzontale: 360°, rotazione continua

Zoom 33x:

- Rotazione verticale: da -20° fino a +45°
- Velocità orizzontale (variabile): da 0.02°/s fino a 20°/s
- Velocità verticale (variabile): da 0.02°/s fino a 20°/s

Accuratezza del richiamo delle posizioni di preset: 0.02°

Pressacavi: 3xM16

Peso unitario: 30kg

### 15.3 Elettrico

Tensione di alimentazione/Corrente assorbita:

- 230Vac, 0.4A, 50/60Hz
- 120Vac, 0.8A, 50/60Hz
- 24Vac, 4A (8A con illuminatori a LED), 50/60Hz

Potenza assorbita (illuminatori spenti):

- 24W, brandeggio fermo (stand-by), riscaldamento spento
- 100W, brandeggio in movimento, riscaldamento acceso

Potenza assorbita (illuminatori accesi):

- 150W, brandeggio in movimento, riscaldamento acceso, illuminatori alla minima potenza
- 190W, brandeggio in movimento, riscaldamento acceso, illuminatori alla massima potenza

4 ingressi di allarme autoalimentati

2 contatti puliti: 30Vdc max oppure 30Vac, @ 1A

### 15.4 Comunicazioni

Connettore: RJ45, 10BASE-T/100BASE-T

Protocollo: ONVIF, Profilo S (TCP/IPv4, UDP/IPv4, HTTP, NTP, DHCP, WS-DISCOVERY, QoS, RTSP, RTCP, RTP)

## 15.5 Telecamere

Day/Night Full HD, 60fps, sensore CMOS 1/2.8"

Pixel Effettivi: 2 Megapixel

Illuminazione Minima, colore (ICR-OFF):

- 0.041 lx 1/25s F3.0, 50 IRE

Illuminazione Minima, B/W (ICR-ON):

- 0.005 lx 1/25s F3.0, 50 IRE

Zoom 33x:

- Campo visivo orizzontale: da 20.51° (wide end) fino a 0.65° (tele end)
- Campo visivo verticale: da 11.58° (wide end) fino a 0.36° (tele end)

S/N Ratio: più di 55 dB

Modalità HDR: 110 dB WDR (misurato in base a IEC 62676 Parte 5)

Impostazioni immagine regolabili: Contrasto, saturazione, luminosità

Bilanciamento del bianco: da 2500K fino a 10000K, 4 modalità automatiche (base, standard, lampada al sodio, colore dominante), modalità Manuale e Hold

Livello ALC: Regolabile

Saturazione: Regolabile da picco a media

Shutter: Shutter elettronico automatico (AES, Automatic Electronic Shutter); Shutter fisso (da 1/25 [30] fino a 1/15000)selezionabile; Shutter predefinito

Day/Night: Auto (punti di commutazione regolabili), a colori, monocromatico

Nitidezza: Livello di incremento della nitidezza selezionabile

Compensazione del Controluce: On/Off/Intelligent Auto Exposure (IAE)

Ottimizzazione contrasto: On/Off

Riduzione disturbi: Intelligent Dynamic Noise Reduction con regolazioni temporali e spaziali separate

Intelligent Defog

Video Content Analysis Intelligent Video Analytics

Modalità scena: 10 modalità predefinite con pianificatore: Interno, Esterno, Traffico, Scarsa illuminazione, EA intelligente, Vibrazione, Bitrate basso, Sport e gioco, Negozi, Riconoscimento targhe (LPR)

Oscuramento zone

## 15.6 Ottiche

Zoom 33x, 15.2-500mm, F3.0 (Sistema di compensazione termica e filtro anti riverbero -Visibile Cut Filter)

## 15.7 Ambiente

Installazione per interni ed esterni

Temperatura di esercizio

- Funzionamento continuo: da -40°C fino a +60°C
- Funzionamento non continuo (temperatura massima assoluta per brevi periodi): +65°C
- Cold start (ottiche 33x): -30°C

Immunità agli impulsi: fino a 2kV tra linea e linea, fino a 4kV tra linea e terra (Classe 4)

Umidità relativa: da 10% fino a 95% (senza condensa)

## 15.8 Certificazioni

Sicurezza elettrica (CE): EN60950-1, IEC60950-1, EN62368-1, IEC62368-1

Compatibilità elettromagnetica (CE): EN50130-4, EN61000-6-4, EN55022 (Classe A), FCC Part 15 (Classe A)

Installazione all'esterno (CE): EN60950-22, IEC60950-22

Sicurezza fotobiologica (CE): EN62471 (illuminatori a LED)

Grado di protezione IP: EN60529, IP66

Resistenza alla nebbia salina: EN50130-5, EN60068-2-52

Certificazione EAC

Conforme NDAA



# 16 Disegni tecnici



Le misure indicate sono espresse in millimetri.

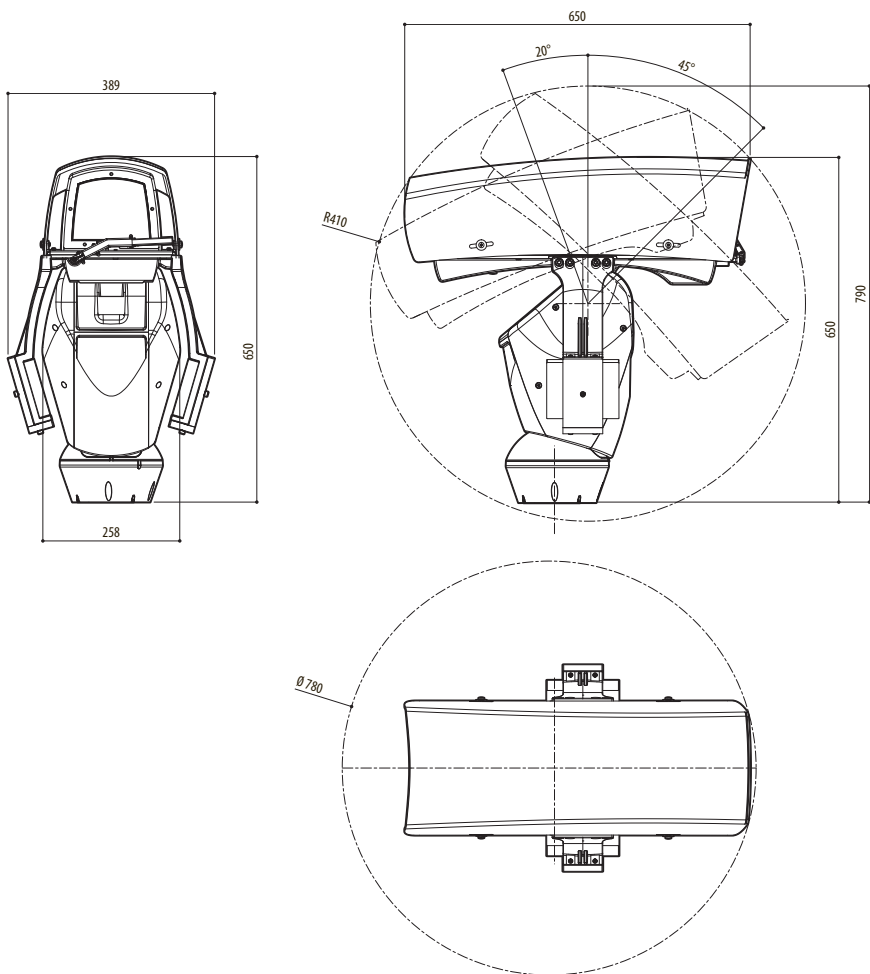
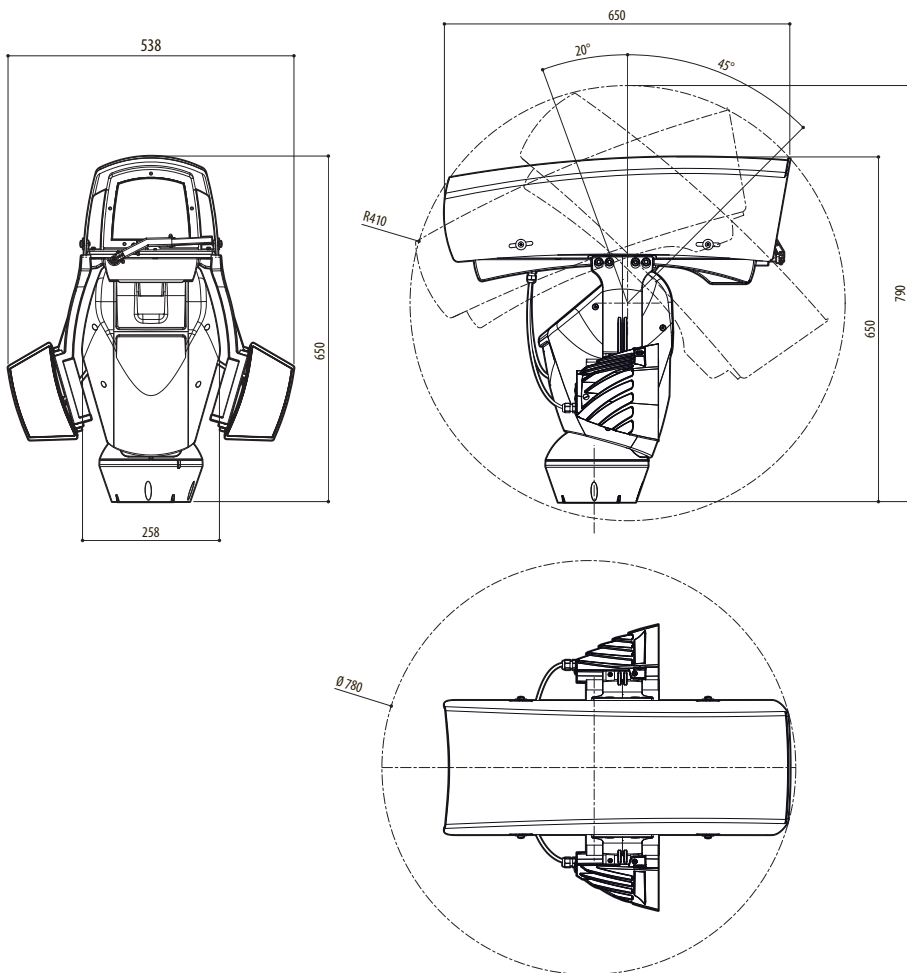


Fig. 76 ULISSE RADICAL, Zoom 33x.



**Fig. 77** ULISSE RADICAL, Zoom 33x, versione con predisposizione per il montaggio di due illuminatori a LED.

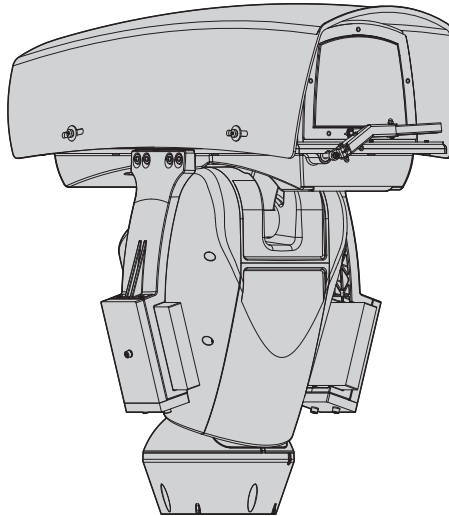


**Headquarters Italy Videotec s.r.l.**  
 Via Friuli, 6 - I-36015 Schio (VI) - Italy  
 Tel. +39 0445 697411 - Fax +39 0445 697414  
 Email: [info@videotec.com](mailto:info@videotec.com)  
[www.videotec.com](http://www.videotec.com)

MNVCUPKHL\_2222\_IT

# ULISSE RADICAL

PTZ HD pour longues distances avec caméra et objectif à haute performance





# Sommaire

<b>1 À propos de ce mode d'emploi .....</b>	<b>5</b>
1.1 Conventions typographiques .....	5
<b>2 Notes sur le copyright et informations sur les marques de commerce .....</b>	<b>5</b>
<b>3 Normes de sécurité.....</b>	<b>5</b>
<b>4 Identification.....</b>	<b>8</b>
4.1 Description et désignation du produit.....	8
4.2 Marquage du produit.....	8
4.2.1 Contrôle du marquage .....	8
<b>5 Versions .....</b>	<b>9</b>
5.1 Projecteur à LED.....	9
<b>6 Préparation du produit en vue de l'utilisation.....</b>	<b>9</b>
6.1 Précautions de sécurité avant l'utilisation.....	9
6.2 Déballage .....	10
6.2.1 Retrait de l'emballage de protection .....	10
6.2.1.1 Ouverture du caisson.....	10
6.2.1.2 Extraction de l'emballage de protection .....	10
6.3 Contenu .....	11
6.4 Élimination sans danger des matériaux d'emballage .....	11
6.5 Opérations à effectuer avant l'installation .....	11
6.5.1 Fixation du support.....	11
6.5.2 Passage des câbles .....	11
<b>7 Installation .....</b>	<b>12</b>
7.1 Connexion des câbles à la base.....	12
7.2 Fixage de la base au support .....	13
7.3 Description de la carte de connexion .....	13
7.4 Connexion de la ligne d'alimentation.....	14
7.4.1 Connexion de la ligne d'alimentation en 24Vac.....	14
7.4.2 Raccordement de la ligne d'alimentation en 120Vac et 230Vac.....	15
7.4.3 Branchement des entrées d'alarme, de l'interrupteur crépusculaire et des relais .....	15
7.5 Branchement du câble de réseau Ethernet .....	16
7.6 Fixation du corps supérieur .....	16
7.7 Montage du contrepoids.....	16
7.8 Montage des projecteurs à LED .....	17
7.8.1 Retrait des contrepoids.....	17
7.8.2 Montage du projecteur sur l'étrier.....	17
7.9 Branchement des projecteur à LED .....	18
7.10 Réglage et modalité d'activation des projecteurs à LED.....	18
7.10.1 Description du projecteur à LED.....	18
7.10.2 Réglage du seuil d'allumage des projecteurs à LED .....	19
7.10.3 Réglage de la puissance des projecteurs à LED .....	19
7.11 Fixation du balai essuie-glace .....	20
<b>8 Allumage .....</b>	<b>20</b>

<b>9 Configuration</b>	<b>21</b>
9.1 Interface web	21
9.1.1 Page Home	21
9.1.2 Page Contrôles Utilisateur	22
9.1.3 Page Paramètres Dispositif	23
9.1.4 Page Statistiques du Dispositif	24
9.1.5 Page Configuration Réseau	24
9.1.6 Page Configuration Utilisateurs	25
9.1.7 Page Paramètres de Mouvement	25
9.1.7.1 Page Autopan	26
9.1.7.2 Page Patrol	26
9.1.7.3 Page Rappel Mouvements	26
9.1.8 Page Paramètres Preset	26
9.1.9 Page Paramètres Preset (Avancé)	26
9.1.10 Page I/O Numériques	27
9.1.11 Page Washer	27
9.1.12 Page Paramètres Caméra	28
9.1.13 Page Instruments	28
9.1.14 Factory Default	29
9.2 VTTunnel	30
9.3 Caméra	30
<b>10 Accessoires</b>	<b>31</b>
10.1 Système de lavage	31
10.1.1 Branchement du système de lavage	31
10.2 Support fixation murale	32
10.3 Support fixation sol	32
10.4 Alimentateur avec contrôle des projecteurs	32
<b>11 Entretien</b>	<b>33</b>
11.1 Remplacement des fusibles	33
<b>12 Nettoyage</b>	<b>33</b>
12.1 Nettoyage de la fenêtre et des parties en plastique	33
<b>13 Informations sur l'élimination et le recyclage</b>	<b>34</b>
<b>14 Dépannage</b>	<b>34</b>
<b>15 Données techniques</b>	<b>35</b>
15.1 Généralités	35
15.2 Mécanique	35
15.3 Électrique	35
15.4 Communications	35
15.5 Caméras	36
15.6 Optiques	36
15.7 Environnement	36
15.8 Certifications	36
<b>16 Dessins techniques</b>	<b>37</b>

# 1 À propos de ce mode d'emploi

Avant d'installer et d'utiliser ce produit, lire attentivement toute la documentation fournie. Garder le manuel à portée de main pour des consultations successives.

## 1.1 Conventions typographiques



**DANGER!**  
Risque élevé.  
Risque de choc électrique. Sauf indication contraire, sectionner l'alimentation avant de procéder à toute opération.



**DANGER!**  
Surface à température élevée.  
Évitez le contact. La température des surfaces est élevée et leur contact peut provoquer des blessures corporelles.



**DANGER!**  
Danger mécanique.  
Risque d'écrasement ou de cisaillement.



**ATTENTION!**  
Risque moyen.  
Opération extrêmement importante en vue d'un fonctionnement correct du système.  
Lire avec attention les opérations indiquées et s'y conformer rigoureusement.



**REMARQUE**  
Description des caractéristiques du système.  
Il est conseillé de procéder à une lecture attentive pour une meilleure compréhension des phases suivantes.

## 2 Notes sur le copyright et informations sur les marques de commerce

Les noms de produit ou de sociétés cités sont des marques de commerce ou des marques de commerce enregistrées.

ONVIF® est une marque enregistrée d'Onvif, Inc.

## 3 Normes de sécurité



**ATTENTION!** Le circuit électrique auquel l'unité est reliée doit être équipé d'un interrupteur de protection bipolaire automatique de 20A max. Cet interrupteur doit être de type Listed. La distance minimale entre les de l'interrupteur de protection contacts doit être de 3mm. L'interrupteur doit être équipé de protection contre le courant de défaut vers la terre (différentiel) et le surintensité (magnétothermique).



**ATTENTION!** Parties mobiles dangereux. Ne pas approcher les doigts ou d'autres parties du corps.



**ATTENTION!** L'installation et l'entretien du dispositif doivent être effectués exclusivement par un personnel technique qualifié.



**ATTENTION!** Pour assurer la protection contre le risque d'incendie, remplacer les fusibles avec le même type et valeur. Les fusibles doivent être remplacés seulement par un personnel qualifié.



**ATTENTION!** L'installation est du type TNV-1. Ne pas la connecter à des circuits SELV.



**ATTENTION!** Pour réduire les risques d'incendie, utiliser uniquement des câbles certifiés UL Listed ou CSA de sections égales ou supérieures à 0.14mm<sup>2</sup> (26AWG).

- Le fabricant décline toute responsabilité pour les dommages éventuels dus à une utilisation non appropriée des appareils mentionnés dans ce manuel. On réserve en outre le droit d'en modifier le contenu sans préavis. La documentation contenue dans ce manuel a été rassemblée et vérifiée avec le plus grand soin. Le fabricant, cependant, ne peut assumer aucune responsabilité dérivant de l'emploi de celle là. La même chose vaut pour chaque personne ou société impliquées dans la création et la production de ce manuel.

- Sectionner l'alimentation avant de procéder à toute opération.
- Ne pas utiliser de câbles usés ou endommagés.
- Ne procéder sous aucun prétexte à des modifications ou des connexions non prévues dans ce manuel. L'utilisation d'appareils non adéquats peut comporter des dangers graves pour la sécurité du personnel et de l'installation.
- Utiliser uniquement des pièces de rechange d'origine. Les pièces non d'origine peuvent être source d'incendies, de choc électrique ou autres.
- Avant de procéder à l'installation, contrôler que le matériel fourni correspond à la commande et examiner les étiquettes de marquage (4.2 Marquage du produit, page 8).
- La catégorie d'installation (ou catégorie de surtension) spécifie les niveaux de la tension de secteur correspondant à l'appareil. La catégorie dépend du lieu d'installation et du dispositif de protection contre les surtensions installé. En cas d'environnement industriel directement connecté aux circuits de dérivation du système d'alimentation, l'équipement est classé dans la catégorie d'installation III. Dans ce cas, un déclassement à la catégorie II est nécessaire. Peut être obtenu au moyen d'un transformateur d'isolement avec blindage électrostatique entre le primaire et le secondaire ou en utilisant des dispositifs de protection contre les surtensions (SPD), UL listed, entre la phase et le neutre et entre le neutre et la terre. Les dispositifs SPD UL cités doivent être prévus pour limiter les surtensions transitoires en mode répétitif et pour les conditions nominales de fonctionnement suivantes: Type 2 (dispositifs SPD reliés en permanence au côté charge du côté du dispositif de protection contre les surintensités) ; courant nominal de décharge (In) 20kA min. Exemples d'utilisation possible : FERRAZ SHAWMUT, ST23401PG-CN, ST240SPG-CN spécifiés pour 120Vac/240Vca, (In=20kA). La distance maximale entre installation et réduction est de 5m.
- Cet appareil est conçu pour être fixé et relié de manière permanente sur un bâtiment ou une structure adéquate. L'appareil doit être fixé et relié de manière permanente avant d'effectuer toute opération.
- L'installation électrique doit être équipée d'un sectionneur de réseau facile à reconnaître et à utiliser en cas de nécessité.
- La borne de terre disponible dans le produit doit être connecté en permanence à la terre.
- Raccorder le système à une source d'alimentation conforme à celle figurant sur l'étiquette de marquage du produit. Avant de procéder à l'installation, vérifier que la ligne électrique est sectionnée. La tension d'alimentation doit être comprise dans les limites ( $\pm 10\%$ ).
- Alimenter le dispositif avec une source isolée de type SELV, 24Vac, 8A dérivée d'un transformateur à double isolation UL Listed, opportunément protégé à la sortie.
- L'appareil comprend des parties mobiles. S'assurer que l'unité est positionnée dans une zone non accessible pendant le fonctionnement.
- Appliquer l'étiquette Parties mobiles dangereuses près de l'unité. (Fig. 3, page 9).
- Ne pas utiliser l'appareil en présence de substances inflammables.
- Pour raccorder la ligne d'alimentation utiliser le boîtier de connexion spécifique (UPTJBUL). Pour plus d'informations, se référer au manuel d'utilisation et d'installation du produit.



- Ne pas laisser l'appareil à portée des enfants ou de personnes non autorisées.
- L'entretien du dispositif doit uniquement être effectué par un personnel qualifié. Durant les opérations d'entretien, l'opérateur est exposé au risque d'électrocution ou autres.
- Utiliser uniquement les accessoires indiqués par le fabricant. Toute modification non approuvée expressément par le fabricant entraînera l'annulation de la garantie.
- Avant de brancher tous les câbles de signalisation, vérifier que l'unité est correctement branché à la terre.
- En cas de transfert du dispositif de l'installation, toujours débrancher le câble de terre en dernier.
- Adopter les précautions utiles pour éviter d'endommager l'appareil à la suite de décharges électrostatiques.
- L'unité a été réalisée pour un branchement avec câble tri-polaire. Se conformer aux indications fournies dans ce manuel pour un branchement correct du circuit de terre.
- Manipuler avec soin l'unité, toute sollicitation mécanique importante risque de l'endommager.
- Accorder une attention particulière aux distances d'isolement entre la ligne d'alimentation et tous les autres câbles, dispositifs de protection contre la foudre compris.
- En cas de transport du dispositif, faire preuve d'une attention extrême. Tout arrêt brusque, dénivellations et chocs violents risque de l'endommager et d'entraîner des blessures.

## 4 Identification

### 4.1 Description et désignation du produit

ULISSE RADICAL est le premier système PTZ Full HD réseau Videotec prêt à l'usage avec combinaisons d'optique et caméra préconfigurées exceptionnelles, Full HD 1080p, 60fps et capteurs CMOS da 1/2,8", pour vidéos de qualité broadcast nuit et jour d'espaces extérieurs étendus.

Pour répondre aux spécifications les plus exigeantes de vidéosurveillance, cette unité PTS est équipée d'optiques 33x avec autofocus évolué qui permet et conserve automatiquement la mise au point sur un sujet très distant avec des détails clairs.

ULISSE RADICAL est certifié ONVIF Profil S, il est donc compatible avec la plupart des VMS sur le marché.

Le software plug-in PTZ ASSISTANT de Videotec supporte tous les VMS avec le contrôle de toutes les fonctions spéciales telles que essuie-glace, lave-glace, IR et Auto Focus.

L'exceptionnelle fluidité de mouvement est assurée par de puissants moteurs, même à une vitesse minimale de 0.02°/s.

Les prestations restent optimales même dans l'obscurité la plus totale grâce aux puissants projecteurs à LED qui peuvent atteindre des distances de plus de 300m (avec deux projecteurs UPTIRN, 10°, 850nm).

ULISSE RADICAL avec le zoom 33x offre un système de compensation thermique et un filtre anti-éblouissement (Visible Cut Filter).

Pour ses caractéristiques de précision, de fiabilité et de robustesse, cette caméra PTZ est la solution idéale pour le contrôle vidéo de vastes zones externes, comme: la surveillance des frontières, la surveillance portuaire, les surveillances des périmètres de longue distance, le contrôle de la circulation et des autoroutes, des installations militaires.

## 4.2 Marquage du produit



Une étiquette conforme au marquage CE est apposée sur le produit.

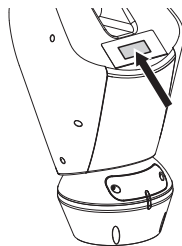


Fig. 1

L'étiquette indique:

- Code d'identification du modèle (Code barres Extended 3/9).
- Tension d'alimentation (Volt).
- Fréquence (Hertz).
- Courant absorbé (Ampères).
- Degré de protection (IP).
- Numéro de série.

### 4.2.1 Contrôle du marquage

Avant de procéder à l'installation, contrôler que le matériel fourni correspond à la commande et examiner les étiquettes de marquage.

Ne procéder sous aucun prétexte à des modifications ou des connexions non prévues dans ce manuel. L'utilisation d'appareils non adéquats peut comporter des dangers graves pour la sécurité du personnel et de l'installation.

## 5 Versions

### 5.1 Projecteur à LED

 La version avec projecteurs à LED peut être alimentée uniquement en 24Vac.

La tourelle peut être munie d'un support pour l'utilisation de 2 projecteurs à LED VIDEOTEC pour vision nocturne (projecteurs à prévoir en plus).

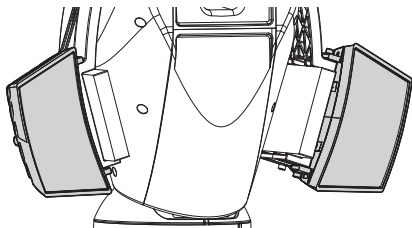





Fig. 2


 Pour d'autres renseignements se référer à le chapitre relatif (7.8 Montage des projecteurs à LED, page 17).

## 6 Préparation du produit en vue de l'utilisation

 Toute modification non approuvée expressément par le fabricant entraînera l'annulation de la garantie.

 Le produit ne doit pas être démonté ni trafiqué. Les seules exceptions concernent les opérations de montage et d'entretien prévues dans ce manuel.

### 6.1 Précautions de sécurité avant l'utilisation

 L'appareil comprend des parties mobiles. S'assurer que l'unité est positionnée dans une zone non accessible pendant le fonctionnement. Appliquer l'étiquette fournie avec l'appareil près de l'objet et en position visible.



**ATTENZIONE!**  
Parti mobili pericolose. Non avvicinare dita e altre parti del corpo.

**WARNING!**  
Hazardous moving parts. Keep fingers and other body parts away.

**AVERTISSEMENT!**  
Parties mobiles dangereuses. Ne pas approcher les doigts au d'autres parties du corps.

**ACHTUNG!**  
Gefährliche bewegliche Teile. Finger und andere Körperteile fernhalten.

Fig. 3

## 6.2 Déballage

Lors de la livraison du produit, vérifier que l'emballage est en bon état et l'absence de tout signe évident de chute ou d'abrasion.

En cas de dommages évidents, contacter immédiatement le fournisseur.

En cas de retour du produit défectueux, il est conseillé d'utiliser l'emballage original pour le transport.

Conserver l'emballage en cas de nécessité d'expédition du produit pour réparation.

**i** **Déballer le toit pare-soleil du dispositif en ayant soin de ne pas endommager le caisson.**

### 6.2.1 Retrait de l'emballage de protection

Avant d'installer le dispositif, il faut enlever l'emballage de protection.

#### 6.2.1.1 Ouverture du caisson

Dévisser les vis anti-fuite situées sur les côtés et soulever la partie supérieure du caisson.

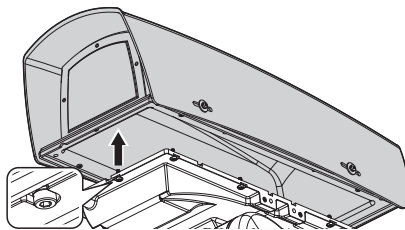


Fig. 4

**i** **D'abord serrer les vis centrales comme illustré en figure.**

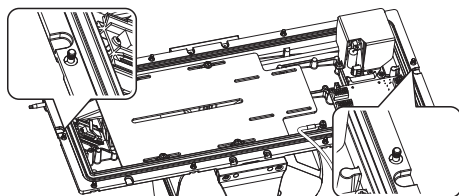


Fig. 5

**i** **Au terme des opérations d'installation et de câblage, refermer le produit.**

#### 6.2.1.2 Extraction de l'emballage de protection

Après avoir ouvert le caisson, extraire l'emballage de protection.

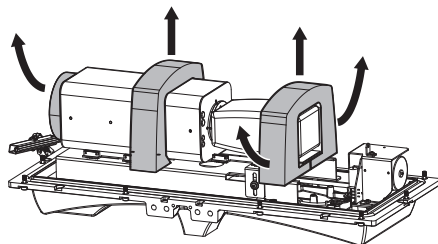


Fig. 6

## 6.3 Contenu

Contrôler que le contenu correspond à la liste matériel indiquée ci-dessous:

- Unité de positionnement
- Base d'alimentation
- Emballage des accessoires:
  - Adaptateur sériel
  - Rallonge sérielle
  - Clés Allen
  - Entretoises
  - Étiquette
  - Colliers
  - Ferrite
  - Gaine en silicone
  - Joints de réduction pour presse-étoupes
  - Manuel d'instructions
  - Plaque de fixation pour sachet déshydratant
  - Vis
- Emballage des contrepoids:
  - Contrepoids
  - Supports pour contrepoids
- Double toit
- Kit d'outils pour le montage du système de lavage (WASPT):
  - Support de la buse avec vis (la buse et les tuyaux sont inclus dans le kit de lavage)

## 6.4 Élimination sans danger des matériaux d'emballage

Le matériel d'emballage est entièrement composé de matériaux recyclables. Le technicien chargé de l'installation est tenu de l'éliminer conformément aux dispositions en matière de collecte sélective et selon les normes en vigueur dans le pays d'utilisation.

## 6.5 Opérations à effectuer avant l'installation

### 6.5.1 Fixation du support



**En cas d'installations soumises aux vibrations, utiliser seulement le support fixation sol.**

Plusieurs types de supports sont disponibles (10 Accessoires, page 31). Choisir le support convenable à l'installation et suivre toutes les instructions dans le chapitre suggéré.



**Accorder une attention particulière aux systèmes de fixation de l'appareil. Le système de fixation doit pouvoir supporter au moins 4 fois le poids de l'équipement complet.**



**L'appareil doit être monté en position verticale. Tout autre position compromettrait le bon fonctionnement du système.**



**Il est impératif de ne pas monter la tête en bas.**

### 6.5.2 Passage des câbles



**Les câbles de connexion ne doivent pas être accessibles de l'extérieur.**



**Les câbles doivent être adéquatement fixés à la structure afin d'éviter que le poids excessif provoque son extraction accidentelle.**



**Les câbles utilisés doivent être conformes au type d'installation.**

Passer les câbles à l'intérieur du support jusqu'à ce qu'ils dépassent d'environ 50cm.

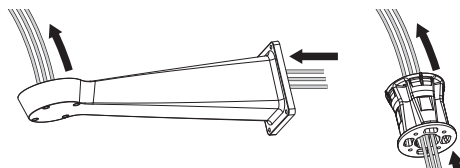


Fig. 7

## 7 Installation



**Ne procéder sous aucun prétexte à des modifications ou des connexions non prévues dans ce manuel. L'utilisation d'appareils inadéquats peut comporter des risques sérieux pour les appareils et la sécurité du personnel.**



**Ne pas modifier les câblages du produit. La non observation de cette indication peut entraîner des risques graves pour la sécurité du personnel de l'installation et annuler la garantie.**



**En cas d'utilisation du kit de lavage du verre, le support pour la buse doit être installé avant le positionnement de la tourelle et des câblages. Pour plus d'informations, se référer au manuel du kit correspondant.**

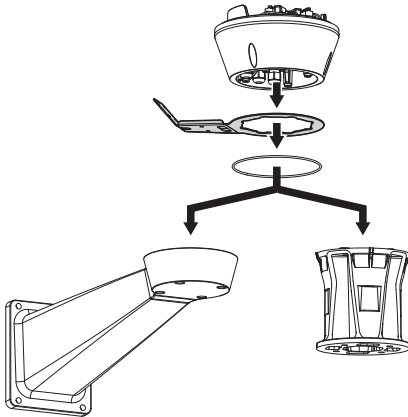


Fig. 8



**La calotte inférieure contient un sachet déshydratant qui permet d'éviter la formation d'humidité dans la base et à hauteur des cartes des connecteurs. Enlever le sachet avant l'installation.**

### 7.1 Connexion des câbles à la base

Passer les câbles dans les presse-câbles en maintenant la base à environ 20cm du support. Serrer les presse-étoupes. Les presse-étoupes sont adaptés pour câbles avec un diamètre compris entre 5mm et 10mm.

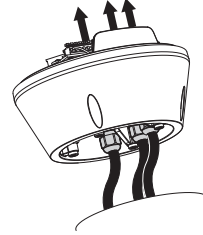


Fig. 9



**Faire attention pendant la fixation. Couple de serrage: 5Nm.**



**Pour de cables de diamètre de 3mm à 7mm utiliser les joints en dotation.**

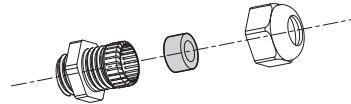


Fig. 10

## 7.2 Fixage de la base au support

**⚠ Utiliser les vis et les rondelles fournies avec la base.**

Après avoir positionné le joint (01), fixer la base (02) au support (03) en utilisant les vis (04), les rondelles à dents (05) et les bagues pour vis (06).

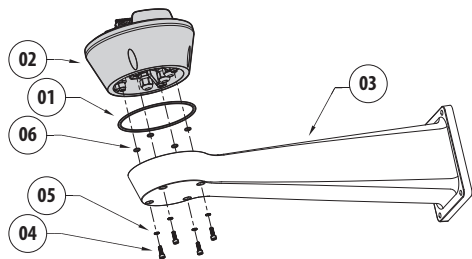


Fig. 11

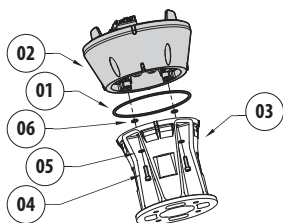


Fig. 12

Aligner les 3 encoches de la base avec celles des supports comme sur la figure suivante.

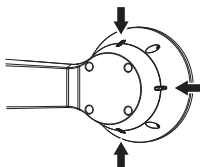


Fig. 13

**⚠ Appliquer sur les trous des vis un produit de freinage du filet (Loctite 243®).**

**⚠ Faire attention pendant la fixation. Couple de serrage: 6Nm.**

## 7.3 Description de la carte de connexion

DESCRIPTION DE LA CARTE DE CONNEXION

Connecteur/ Composant	Fonction
CN1	Alimentation de la carte
CN4	Câbles de signal
Ethernet	Ethernet
F1	Fusible
F2	Fusible

Tab. 1

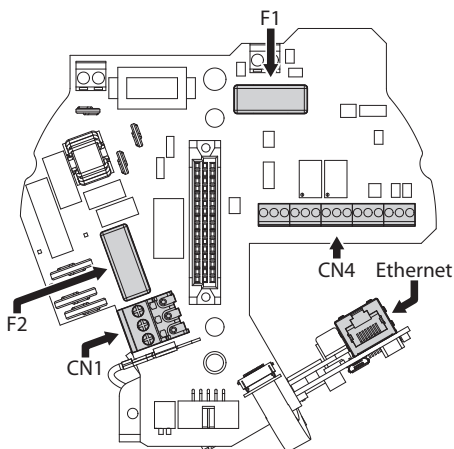


Fig. 14

## 7.4 Connexion de la ligne d'alimentation

Selon la version, différentes tensions d'alimentation peuvent être fournies au dispositif. La valeur de tension d'alimentation est reportée sur l'étiquette d'identification du produit (4.2 Marquage du produit, page 8).



**Il faut effectuer les connexions électriques en absence d'alimentation et lorsque le dispositif de sectionnement est ouvert.**



**Contrôler que les sources d'alimentation et les câbles de branchement sont en mesure de supporter la consommation du système.**



**Vérifier que la source et le câble d'alimentation sont adéquatement dimensionnés.**



**Le câble de terre doit être plus long des deux autres d'environ 10mm pour éviter tout détachement accidentel.**



**Le câble d'alimentation doit en outre être couvert de la gaine en silicone (01) fournie. La gaine en silicone doit être fixée au moyen du collier prévu (02).**

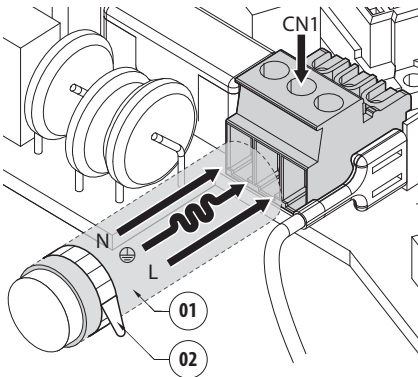


Fig. 15

### 7.4.1 Connexion de la ligne d'alimentation en 24Vac

Couper les câbles à la longueur nécessaire et procéder aux connexions. Connecter la ligne d'alimentation avec la borne: CN1.

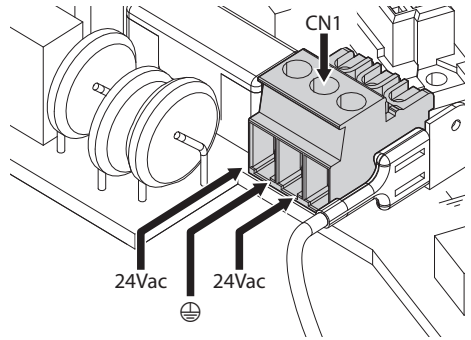


Fig. 16

Connecter les câbles d'alimentation comme décrit dans le tableau ci-dessous.

CONNEXION DE LA LIGNE D'ALIMENTATION

Couleur	Bornes
Alimentation 24Vac	
Défini par l'installateur	24Vac
Défini par l'installateur	24Vac
Jaune/Vert	⊕

Tab. 2



## 7.4.2 Raccordement de la ligne d'alimentation en 120Vac et 230Vac

Couper les câbles à la longueur nécessaire et procéder aux connexions. Connecter la ligne d'alimentation avec la borne: CN1.

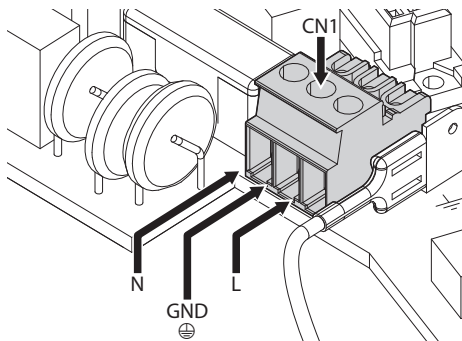


Fig. 17

Connecter les câbles d'alimentation comme décrit dans le tableau ci-dessous.

CONNEXION DE LA LIGNE D'ALIMENTATION	
Couleur	Bornes
Alimentation 230Vac	
Bleue	N (Neutre)
Marron	L (Phase)
Jaune/Vert	⊕
Alimentation 120Vac	
Bleue	N (Neutre)
Marron	L (Phase)
Jaune/Vert	⊕

Tab. 3

## 7.4.3 Branchement des entrées d'alarme, de l'interrupteur crépusculaire et des relais

**ATTENTION!** L'installation est du type TNV-1. Ne pas la connecter à des circuits SELV.

**ATTENTION!** Pour réduire les risques d'incendie, utiliser uniquement des câbles certifiés UL Listed ou CSA de sections égales ou supérieures à 0.14mm<sup>2</sup> (26AWG).

### Version standard

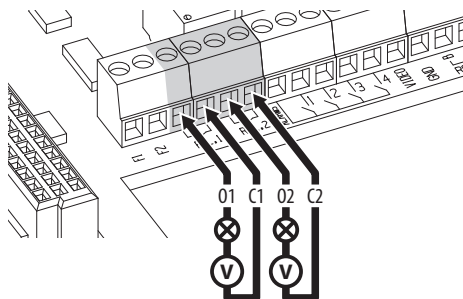


Fig. 18 Branchement des contacts des relais.

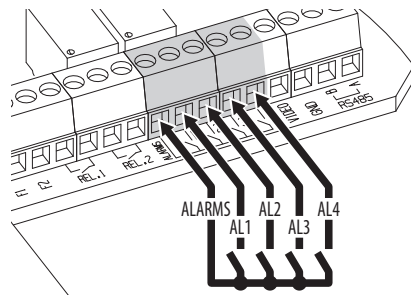


Fig. 19 Branchement des alarmes.

### Version avec projecteurs à LED

BRANCHEMENT DES ENTRÉES D'ALARME, DE L'INTERRUPTEUR CRÉPUSCULAIRE ET DES RELAIS	
AL1, AL2, AL3, AL4 e ALARMS	Entrées d'alarme à alimentation automatique se rapportant à la borne commune ALARMS
O1-C1 e O2-C2	Contacts secs de sortie activantes par alarme ou commande utilisateur

Tab. 4

**i** Branchez l'interrupteur crépusculaire aux bornes ALARMS et AL1. Le contact d'alarme AL1 est dédié par défaut à l'interrupteur crépusculaire.

## 7.5 Branchement du câble de réseau Ethernet

Brancher le câble Ethernet au connecteur correspondant (Ethernet, 7.3 Description de la carte de connexion, page 13).

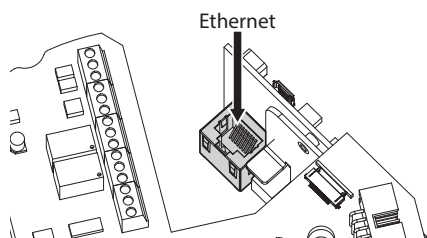


Fig. 20

## 7.6 Fixation du corps supérieur

Fixer le corps supérieur (01) à la base (02) au moyen des vis de fixation (03) pourvues de joints (04). Contrôler que le joint de la base est en place et en bon état (05).

**⚠** Faire attention pendant la fixation. Couple de serrage: 4Nm.

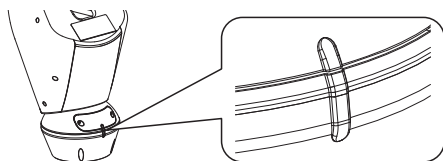
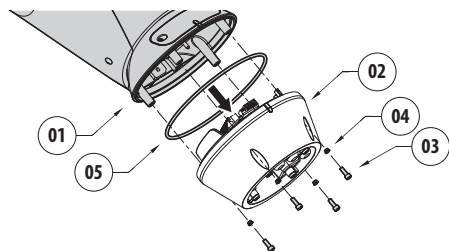


Fig. 21

**i** Une seule position de fixation entre la base et le corps supérieur est possible. Aligner les saillies latérales pour s'assurer que le positionnement soit correct.

## 7.7 Montage du contre poids

Fixer les contre poids au caisson au moyen des vis et des rondelles fournies.

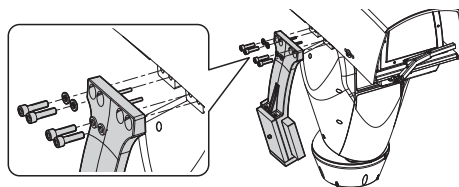


Fig. 22

**⚠** Appliquer sur les trous des vis un produit de freinage du filet (Loctite 243®).

**⚠** Faire attention pendant la fixation. Couple de serrage: 16Nm.

## 7.8 Montage des projecteurs à LED

**!** Pour en correct fonctionnement les deux projecteurs doivent toujours être montés ensemble.

**i** Seuls des projecteurs VIDEOTEC peuvent être installés sur la tourelle.

### 7.8.1 Retrait des contrepoids

Dévisser les vis et retirer les contrepoids externes.

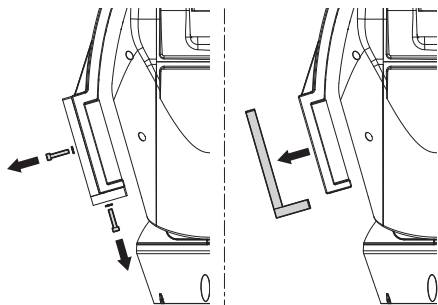


Fig. 23

### 7.8.2 Montage du projecteur sur l'étrier

Repérer les trous antérieurs présents sur l'étrier du contrepoids.

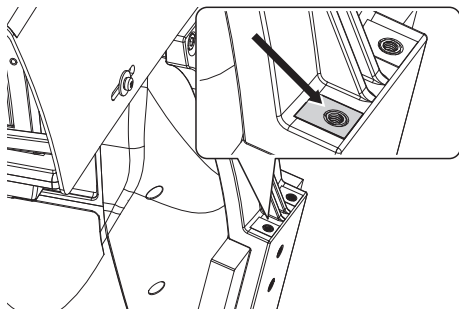


Fig. 24

Positionner les fixations du projecteur (01) sur celles de l'étrier (02).

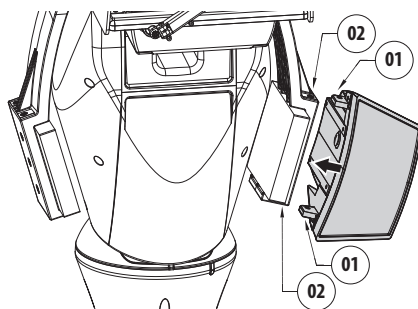


Fig. 25

Visser les vis et les rondelles enlevées auparavant.

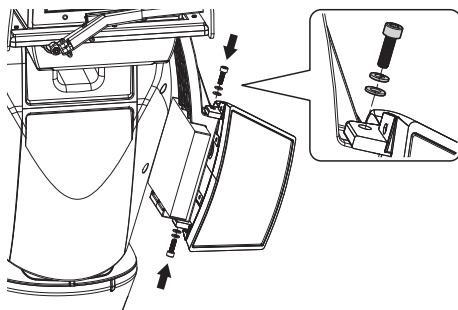


Fig. 26

**!** Faire attention pendant la fixation. Couple de serrage: 6Nm.

## 7.9 Branchement des projecteur à LED

Introduire les câbles d'alimentation de 25 cm au moins à travers les presse-étoupes. Serrer les presse-étoupes.

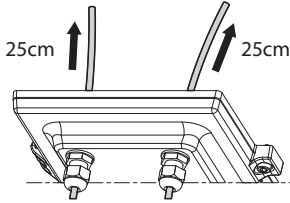


Fig. 27



**Pour garantir la sécurité et le fonctionnement de l'unité, ne pas laisser du câble excédentaire à l'extérieur.**

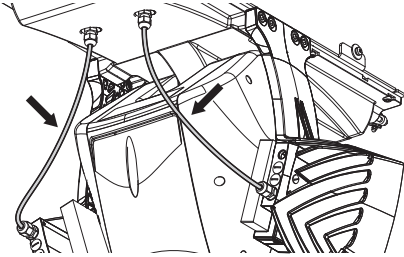


Fig. 28

Brancher les câbles comme illustré en figure.

Le projecteur de gauche (MASTER) doit être connecté au connecteur J 15. Le projecteur de droite (SLAVE) doit être connecté au connecteur J9.

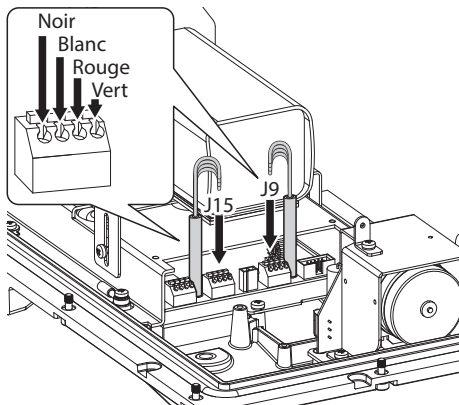


Fig. 29

## 7.10 Réglage et modalité d'activation des projecteurs à LED

Une fois effectué le réglage, le projecteur de gauche (MASTER) synchronise et contrôle le projecteur de droite (SLAVE).

L'interrupteur crépusculaire détecte la lumière ambiante et gère l'allumage et l'extinction des projecteurs lorsque la luminosité atteint le niveau réglé par l'utilisateur.

Lorsque les projecteurs à LED sont actifs, la caméra passe en mode nuit par la commande ONVIF prévue à cet effet.

### 7.10.1 Description du projecteur à LED



**Pour ne pas compromettre la sécurité et le fonctionnement du projecteur, ne pas enlever la vis transparente du capteur crépusculaire.**

- **Capteur crépusculaire:** Détecte le niveau de luminosité.
- **Câble:** Alimentation et contrôle.
- **Régulateur du seuil d'allumage:** Le potentiomètre permet de régler le niveau de sensibilité pour l'allumage du projecteur.
- **Régulateur puissance infrarouges:** Le potentiomètre permet de régler la puissance du projecteur.

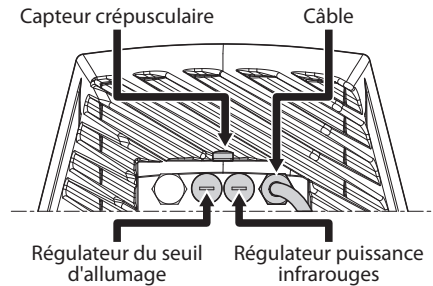


Fig. 30

## 7.10.2 Réglage du seuil d'allumage des projecteurs à LED

**⚠ Le projecteur de droite doit toujours être configuré à la luminosité maximum.**

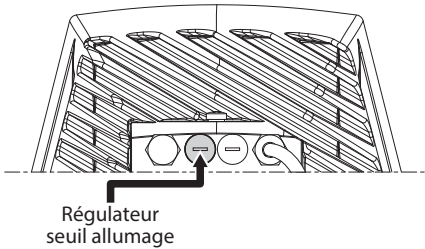


Fig. 31

Le projecteur a un capteur crépusculaire intégrée qui permet un allumage et un arrêt automatique à conditions lumineuses préétablies.

Le réglage du capteur crépusculaire est effectué en usine à un niveau lumineux fixé et approprié à la plupart des installations (environ 50lx). Si l'on souhaite régler différemment le seuil d'intervention, dévisser le bouchon situé à l'arrière du projecteur et effectuer le réglage avec un tournevis.

En tournant le bouton de réglage dans le sens des aiguilles d'une montre, la commutation en mode nocturne est avancée (à une valeur de luminosité supérieure.) En tournant le bouton de réglage dans le sens inverse des aiguilles d'une montre, la commutation en mode nocturne est retardée (à une valeur de luminosité inférieure.)

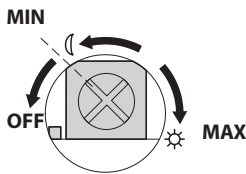


Fig. 32

Attendre les conditions de luminosité appropriées pour allumer le projecteur. Tourner lentement le trimmer jusqu'à ce que la LED présente sur le côté s'allume. Une fois que le seuil d'intervention (LED allumée) est dépassé, tourner légèrement dans le sens contraire.

**⚠ Au terme des réglages, vérifier que le bouchon de fermeture soit bien serré pour garantir l'étanchéité hermétique du produit.**

## 7.10.3 Réglage de la puissance des projecteurs à LED

**⚠ Le projecteur de droite doit toujours être configuré à la puissance minimum.**

Le projecteur est réglé en usine afin de distribuer la puissance maximale. S'il ne fallait pas éclairer des sujets éloignés ou si l'image était surexposée à cause de la luminosité excessive, effectuer le réglage de la puissance pour l'abaisser et pour obtenir une économie énergétique.

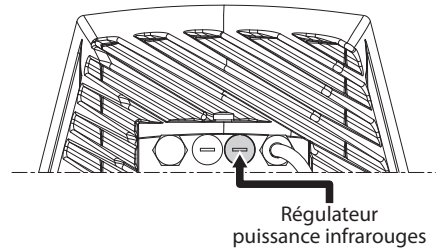


Fig. 33

Dévisser tout d'abord le bouchon de fermeture hermétique. Tourner le trimmer, dans le sens horaire pour augmenter la puissance des infrarouges et dans le sens antihoraire pour l'abaisser.



Fig. 34

**⚠ Au terme des réglages, vérifier que le bouchon de fermeture soit bien serré pour garantir l'étanchéité hermétique du produit.**

## 7.11 Fixation du balai essuie-glace

Insérer le balai sur l'arbre de l'essuie-glace  
Placer le balai en position de repos.

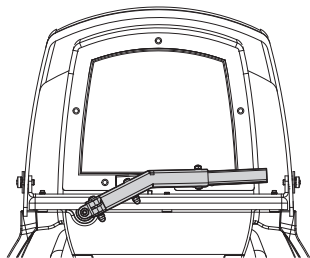


Fig. 35

Fixer l'ensemble avec rondelle denté.

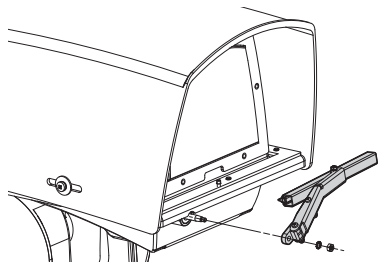


Fig. 36

**i** Un réglage correct doit permettre au balai de revenir en position de repos en entrant en contact avec la plaque de la structure.

## 8 Allumage



S'assurer que l'unité et les autres composants de l'installation sont fermés correctement afin d'éviter le contact avec des parties sous tension.



Durant le fonctionnement normal, la surface du projecteur peut atteindre des températures élevées. Éviter le contact direct et positionner l'appareil dans un endroit non accessible au personnel non autorisé. Avant de la toucher, éteindre le dispositif d'illumination et le laisser refroidir durant 10 minutes minimum.



Ne pas rester en proximité de l'appareil lorsqu'il est sous tension. N'intervenir sur le dispositif que hors tension.



Ne pas stationner à proximité du dispositif sous tension. N'intervenir sur le dispositif qu'avec l'alimentation coupée.

Il suffit de brancher l'alimentation électrique pour allumer l'unité.

Débrancher l'alimentation électrique pour éteindre l'unité.

# 9 Configuration

## 9.1 Interface web

**i** L'appareil est configuré pour obtenir l'adresse IP depuis un serveur DHCP.

**i** Logiciels de navigation supportés (la dernière version): Microsoft Edge, Google Chrome™, Mozilla Firefox.

**i** L'adresse MAC est indiquée sur étiquette présente sur la carte CPU.

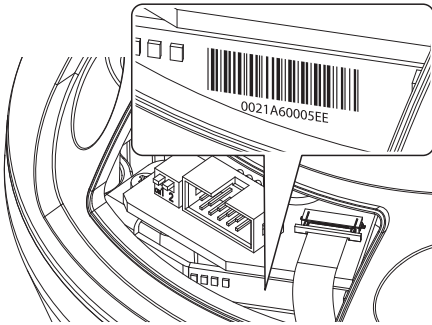


Fig. 37

La première opération pour configurer le dispositif consiste en la connexion à son interface web.

L'adresse IP acquise via DHCP est visible dans le fichier journal du serveur DHCP.

En cas d'indisponibilité du serveur DHCP, l'appareil se configure automatiquement avec une adresse IP autogénérée dans le sous-réseau 169.254.x.x/16. Configurez l'adresse IP du PC comme appartenant au même sous-réseau (exemple: adresse IP: 169.254.1.1, subnet mask: 255.255.0.0).

Pour rechercher l'adresse IP du dispositif, utiliser un VMS compatible ONVIF ou un renifleur de réseau (IP scan utility).

Pour accéder à la tourelle il suffira de se connecter avec un browser à l'adresse `http://adresse_ip` et d'effectuer le login à la tourelle avec les données prédéfinies:

- **Username:** admin
- **Mot de passe:** admin

### 9.1.1 Page Home

Si le login est effectué avec succès, on pourra voir l'interface de gestion de le produit.



Fig. 38

## 9.1.2 Page Contrôles Utilisateur

Pour contrôler le dispositif par browser, sélectionner la mention Contrôle Utilisateur. Une nouvelle fenêtre s'ouvrira, avec un clavier virtuel pour sélectionner les commandes.

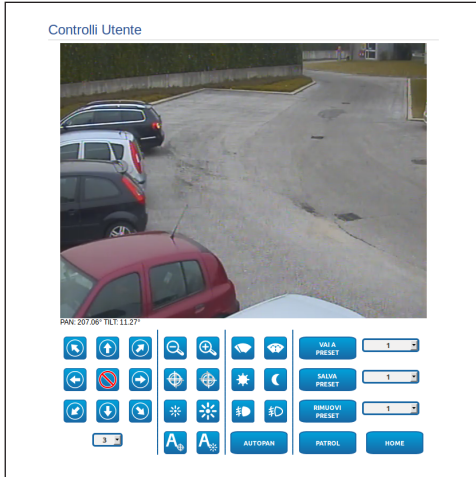


Fig. 39

Sur le clavier virtuel, se trouve les commandes suivantes :

- **Sélecteur vitesse:** Il permet de sélectionner la vitesse des mouvements de la tourelle.



Fig. 40

- **Zoom Wide/Zoom Tele**



Fig. 41

- **Focus near/Focus far/Autofocus**



Fig. 42

- **Iris close/Iris open/Auto iris**



Fig. 43

- **Wiper/Washer**



Fig. 44

- **Day:** Activer le filtre IR de la chambre. Si présents, éteint les projecteurs à LED.



Fig. 45

- **Night:** Désactiver le filtre IR de la chambre. Si présents, allume les projecteurs à LED.



Fig. 46

- **Visible Cut Filter On:** Active le filtre pour la réverbération (dans les modèles qui en sont équipés). Ce filtre permet d'obtenir des images nettes (en noir et blanc) en présence de brouillard ou de cadrages en contre-jour.



Fig. 47

- **Visible Cut Filter Off:** Désactive le filtre pour la réverbération (dans les modèles qui en sont équipés).



Fig. 48



- **Autopan:** Active le positionnement cyclique entre 2 prépositions prédéfinies de débattement horizontal, vertical et zoom.



Fig. 49

- **Recall Présélection/Sauvegarder Présélection/Éliminer la Présélection**

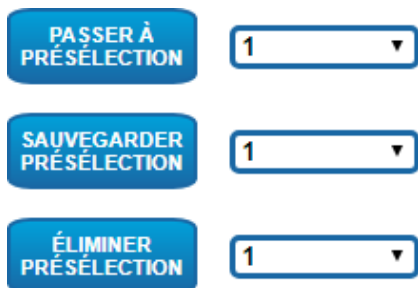


Fig. 50

- **Patrol:** Active la patrouille automatique qui permet de répéter de façon séquentielle ou aléatoire les prépositions prédéfinies de débattement horizontal, vertical et zoom.



Fig. 51

- **Revenir à la page d'accueil**



Fig. 52

### 9.1.3 Page Paramètres Dispositif

A la mention du menu Paramètres Dispositif il est possible de configurer le nom de le dispositif et d'afficher d'autres informations supplémentaire.

Paramètres du dispositif	
Nom du dispositif	<input type="text"/>
Code produit	<input type="text"/>
Numéro de série	<input type="text"/>
Adresse MAC	<input type="text"/>
ID du produit	<input type="text"/>
Micrologiciel Version: CPU Board	<input type="checkbox"/>
Micrologiciel Version: NET Board	<input type="checkbox"/>
Micrologiciel Version: MPP Board	<input type="checkbox"/>
Révision du hardware	<input type="checkbox"/>
Révision majeure	<input type="checkbox"/>
Révision mineure	<input type="checkbox"/>
Type de coffret	<input type="checkbox"/>

Fig. 53

## 9.1.4 Page Statistiques du Dispositif

L'entrée du menu Statistiques du dispositif indique pour la seule consultation toutes les statistiques recueillies pendant le fonctionnement de l'appareil.

Statistiques du dispositif	
Degrés Pan	3364
Degrés TB	1482
Affichage	134
Heures de travail	29
Température maximum du coffret (°C)	40
Température maximum de la fiche PAR (°C)	65454
Température minimum de la fiche PAR (°C)	55
Température maximum de la fiche CPU (°C)	22
Température minimum de la fiche CPU (°C)	47
Température maximum de la fiche CPU (°C)	20
Température maximum de la fiche NET (°C)	40
Température minimum de la fiche NET (°C)	19
Période d'affichage des phases IR	0

Fig. 54

## 9.1.5 Page Configuration Réseau

A la mention du menu Réseau il est possible de changer la configuration de réseau de la tourelle. Il est possible de décider si le dispositif doit avoir une adresse attribuée de manière statique, dynamique avec DHCP, ou auto-générée. Le dispositif supporte le protocole Internet Protocol (IP) dans la version 4.



**Avec adresse auto-générée, le dispositif s'attribue automatiquement une adresse dans la gamme 169.254.0.0/16.**

Toujours sur la même page, il est possible de configurer 2 DNS et de décider quels mécanismes doivent être actifs pour identifier automatiquement les dispositifs dans le réseau local.

Configuration réseau	
Version IP	IPv4
Type d'adresse	STATIQUE
Adresse IP (IPv4)	192.168.103.121
Masque de sous-réseau (IPv4)	255.255.255.0
Passerelle (IPv4)	192.168.103.1
Recherche automatique DNS	DÉSACTIVÉ
Serveur DNS préféré	8.8.4.4
Serveur DNS alternatif	8.8.8.8
Date & Time	2013-05-27 14:42:58 UTC
Serveur NTP	DÉSACTIVÉ
PC Sync	ACTIF
UPNP	ACTIF
Zerocast	ACTIF
Découverte multidéterminante	ACTIF
Découverte WS	ACTIF

Fig. 55

**Server NTP:** Il est également possible de mentionner si le dispositif doit se synchroniser avec un serveur NTP (Network Time Protocol) externe.

- **DÉSACTIVÉ:** Sélectionner cette option si on ne souhaite pas synchroniser date et heure du dispositif.
- **DHCP:** Sélectionner cette option au cas où on souhaite synchroniser date et heure du dispositif avec celles d'un serveur NTP (Network Time Protocol) indiqué par le serveur DHCP.
- **STATIQUE:** Sélectionner cette option si la date et l'heure du dispositif doivent être synchronisées avec celles du serveur NTP indiqué par l'adresse statique.

**i** Pour un fonctionnement correct du dispositif, il faut le synchroniser au logiciel VMS en utilisant un serveur NTP.

### 9.1.6 Page Configuration Utilisateurs

A la mention du menu Configuration Utilisateurs il est possible d'administrer les utilisateurs qui peuvent accéder à le dispositif. Les utilisateurs de type Administrateur peuvent accéder à la configuration complète du dispositif. Les utilisateurs du type Operator, User et Anonymous ont un accès limité aux pages de gestion.

Fig. 56

**i** Le dispositif peut être configuré uniquement par un utilisateur avec les droits d'administrateur.

### 9.1.7 Page Paramètres de Mouvement

A la mention du menu Paramètres Mouvement il est possible de contrôler par web tous les paramètres de la tourelle.

- **Offset Pan:** La tourelle a une position de 0° définie mécaniquement. La fonction Offset Pan permet de définir une position différente de 0° à l'aide du logiciel.
- **Vitesse Maximale:** Configure la vitesse manuelle maximale.
- **Vitesse avec Zoom:** L'activation de ce paramètre réduit automatiquement la vitesse de Pan et Tilt en fonction du facteur de Zoom.
- **Facteur Tilt:** Configure le facteur de réduction de la vitesse manuelle de l'axe tilt.
- **Limites Pan:** Valide les limites de Pan.
- **Pan Début:** Configure la limite initiale de Pan.
- **Pan Fin:** Configure la limite finale de Pan.
- **Tilt Début:** Configure la limite initiale de Tilt.
- **Tilt Fin:** Configure la limite finale de Tilt.

Fig. 57

### 9.1.7.1 Page Autopan

A la mention du menu Autopan il est possible d'indiquer le preset de début et de fin de l'autopan.

Fig. 58

### 9.1.7.2 Page Patrol

A la mention du menu Patrol il est possible d'indiquer le preset de début et de fin du patrol. Il est possible d'indiquer si l'analyse des preset doit avoir lieu de façon causale ou non.

Fig. 59

### 9.1.7.3 Page Rappel Mouvements

A la mention du menu Rappel Mouvements il est possible d'indiquer un intervalle de temps d'inactivité au-delà duquel la tourelle effectuera une des suivantes fonctions: retour à la position Home, mise en marche de l'autopan ou mise en marche du patrol.

Fig. 60

### 9.1.8 Page Paramètres Preset

A la mention du menu Paramètres Preset on peut configurer certains paramètres concernant les preset:

- **Vitesse Scan:** La vitesse en degrés à la seconde, avec laquelle un preset est atteint, sur demande explicite de l'opérateur.
- **Type de rampe:** Permet de sélectionner les accélérations de la tourelle.
- **Vitesse Mouvements par Défaut:** La vitesse utilisée dans les opérations d'autopan et patrol.
- **Imposer Vitesse par Défaut:** La vitesse par défaut sera configurée aussi comme vitesse de scan pour tous les preset.
- **Pause par Défaut:** Le temps en secondes de permanence par défaut de chaque preset.
- **Imposer Pause par Défaut:** La pause par défaut sera configurée pour tous les preset.

Fig. 61

### 9.1.9 Page Paramètres Preset (Avancé)

Dans la section Paramètres Preset (Avancé) il est possible de personnaliser les valeurs de vitesse et pause pour chaque preset, en plus que d'activer/désactiver les preset mêmes.

Fig. 62

### 9.1.10 Page I/O Numériques

Dans la carte I/O Numériques il est possible de configurer les canaux numériques présents dans le dispositif. Il y a ci-dessous une courte description des paramètres configurables pour chaque entrée numérique.

- **ID Alarme:** Champ utilisé pour sélectionner l'entrée numérique souhaitée.
- **Type:** Indique l'état par défaut de l'entrée numérique.
- **Action:** À chaque entrée, une action peut être associée. L'action est activée dès que le contact passe dans un état différent de celui par défaut. Les actions disponibles sont énumérées ci-dessous :
  - **NONE:** Aucune action.
  - **SCAN:** Positionner la tourelle sur la position sélectionnée.
  - **PATROL:** Activer le PATROL.
  - **AUTOPAN:** Activer l'AUTOPAN.
  - **WIPER:** Activer le Wiper.
  - **WASHER:** Activer la séquence de lavage de la vitre.
  - **RELAIS 1:** Activer le Relais 1.
  - **RELAIS 2:** Activer le Relais 2.
  - **IR FILT:** Désactiver le Filtre IR de la chambre. Si présents, allume les projecteurs à LED.

Pour un contrôle du fonctionnement correct des alarmes, dans la page web se trouve un petit rond. Le petit rond sera vert dans les conditions normales et rouge quand une alarme est détectée.

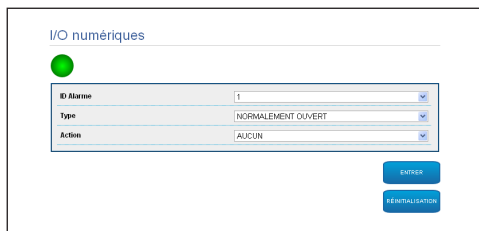


Fig. 63

### 9.1.11 Page Washer

Dans la rubrique du menu Installation de lavage, vous pouvez configurer les fonctionnalités du système de lavage du dispositif.

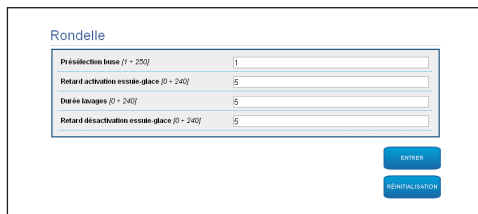


Fig. 64

## 9.1.12 Page Paramètres Caméra



**Le changement des données dans la section « Protocole et authentification » pourrait rendre la caméra inaccessible. Les données configurées en usine permettent un accès correct au système.**



**Il est recommandé de ne pas modifier les données dans la section «Caractéristiques des objectifs» afin de ne pas altérer le fonctionnement du système. Le seul champ utile pour l'utilisateur final est "Auto focus".**

Dans cette section, il est également possible de visualiser les données relatives aux différents profils ONVIF exportés par la chambre.

**Paramètres caméra**

**Protocole et Authentification**

Protocole: ONVIF PROFILES S

Nom utilisateur: service

Mot de passe: \*\*\*\*

Réinsérer le mot de passe: \*\*\*\*

**Profils de streaming**

ID Profil: 0

Profil: media\_profile1

Codec: H.264

Résolution: 1920 x 1080

Limite framerate: 30 fps

Limite bitrate: 8000 kbps

GOP: 30 frames

Zoom activé: Non

**Caractéristiques des objectifs**

Objectifs: MOTORISES

Facteur de zoom (z = 50): 1

Gamme de positionnement des objectifs (0 = 250): 20

Type de moteur: INVERSION DE POLARITÉ

Polarité de rotation du Zoom: POSITIVE

Polarité de rotation du Focus: POSITIVE

Polarité de rotation de l'Iris: POSITIVE

Sonde IR: EXTERNE

Auto Focus: DÉCLENCHÉMENT MANUEL SEULEMENT

ENTRER

RESET

Fig. 65

Pour modifier les paramètres de la caméra, sélectionner le bouton VTTunnel ou simplement le bouton Caméra dans le menu Outils (9.1.13 Page Instruments, page 28).

## 9.1.13 Page Instruments



**En cas de réinitialisation, le PTZ se rétablit aux conditions par défaut. Pour accéder au système, suivre les indications du chapitre correspondant (9.1 Interface web, page 21).**

A la mention du menu Instruments il est possible de reconfigurer les valeurs prédéfinies pour toute la configuration de la tourelle ou seulement pour certaines sections spécifiques.

Dans cette section, il est en outre possible :

- Mettre à jour le firmware du dispositif.
- Redémarrer le dispositif.
- Télécharger le logiciel VTTunnel pour activer la connexion avec la chambre IP, indispensable pour accéder à la page web de celle-ci. (9.2 VTTunnel, page 30).
- Accéder aux pages web de la caméra (9.3 Caméra, page 30).

Outils

RÉINITIALISATION POSITIONNEMENT: élimination de toutes les présélections.

RÉINITIALISATION PARAMÈTRES: Réinitialisation des paramètres de Mouvement, des Paramètres de la roulette et des ID numériques aux valeurs de défaut.

RÉINITIALISATION UTILISATEURS: Réinitialisation données d'identification.

RÉINITIALISATION RESEAU: Réinitialisation des réglages de réseau.

RÉINITIALISATION DECT: Réinitialisation de tous les réglages.

METTRE À JOUR LE FIRMWARE: Mise à jour des micrologiciels du dispositif. Browse... No file selected.

REDÉMARRER: Redémarrage du dispositif.

VTTUNNEL: Télécharger et exécuter le programme VTTunnel pour avoir accès à la page de la caméra.

CAMERA: Accéder aux pages Web de la caméra

Fig. 66

## 9.1.14 Factory Default



**Si le mot de passe d'accès à l'oscillation n'est plus disponible, il est possible de rétablir les programmations d'usine à travers une touche de Réinitialisation se trouvant à l'intérieur du produit.**



**Pour rechercher l'identification de l'oscillation, suivre les indications du chapitre correspondant (9.1 Interface web, page 21). Dans ce cas cependant les données d'accès au système sont celle de la caméra et non de l'oscillation. Si les données sont celles par défaut de la caméra (configurées par Videotec), elles sont :**

**Login: service**

**Password: Videotec2020-**

Pour restaurer les configurations d'usine relatives au réseau, à l'accès utilisateurs et à la configuration de la chambre, suivre la procédure:

- Allumer l'unité.
- Ouvrir le volet du commutateur DIP.
- Localiser le commutateur DIP 4 (01). Porter le commutateur 1 vers le bas, valeur 1 (ON).
- Attendre l'extinction temporaire des LED (02).
- Reporter le commutateur 1 vers le haut, valeur 0 (OFF).
- Fermer le module des connecteurs.
- Suivre les indications du paragraphe 9.1 pour la recherche de l'adresse (9.1 Interface web, page 21).

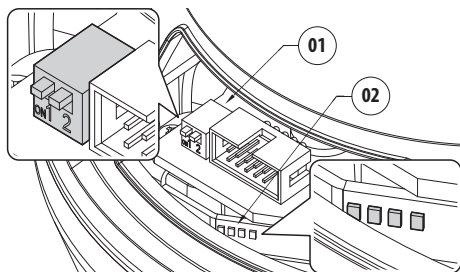


Fig. 67

Les paramètres nécessaires sont les suivants :

- Le protocole IP utilisé pour communiquer avec la caméra (ONVIF PROFILE S).
- Le type de lentilles installées (MOTORISÉE).
- Les données nécessaires pour se connecter à la caméra IP (nom utilisateur : « service »; mot de passe : « Videotec2020- »).
- Redémarrer le dispositif.
- Si toujours configuré dans DHCP, le produit peut avoir changé d'adresse.

Fig. 68

## 9.2 VTTunnel

**i** Le logiciel fonctionne seulement avec Java™. Si Java™ n'a pas été précédemment installé, télécharger la dernière version du site [www.java.com](http://www.java.com).

**i** Le logiciel peut se connecter seulement à la première interface de réseau actif. Ne laisser connecté que le câble de réseau, relié à la tourelle.

**i** L'exécution du logiciel requiert les privilèges d'administration de l'ordinateur. Le message `You have to execute Javaw as administrator` pourrait apparaître sur le moniteur. Dans ce cas, il sera nécessaire de modifier les propriétés d'exécution du fichier `javaw.exe` situé dans le dossier d'installation de Java.

Afin de connecter la caméra IP, vous devez utiliser le programme de VTTunnel, démarrable du menu Instruments.

Au lancement du programme, sera montrée une liste des dispositifs en réseau. Pour se connecter à la chambre, il est nécessaire de sélectionner la tourelle souhaitée et d'appuyer sur la touche Connect.

Une fois que la connexion est établie, la page Web de la caméra IP sera atteinte à l'adresse 192.0.0.64.

Lorsque les opérations sur la caméra seront terminées, vous pouvez fermer la connexion en cliquant sur le touche Disconnect. Il est possible de se connecter à une caméra à la fois et donc nécessaire de se déconnecter de la tourelle avant d'agir sur un'autre unité de positionnement.

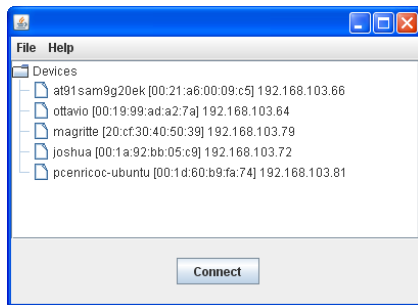


Fig. 69

**i** Si pendant la configuration de la caméra, les paramètres de streaming vidéo sont modifiés, il faut redémarrer la tourelle.

## 9.3 Caméra

**i** Pour des informations détaillées, consulter le manuel de la caméra téléchargeable sur internet.

**i** Pour accéder au menu de la caméra, l'oscillation ne doit pas avoir d'adresse auto-générée ou en DHCP.

Accéder à la page internet de la caméra.

Les données d'accès par défaut à la caméra sont :

- Login: "service"
- Password: "Videotec2020-"



# 10 Accessoires

**i** Pour de plus amples informations sur la configuration et l'utilisation, consulter le manuel de l'accessoire correspondant.

## 10.1 Système de lavage

Le produit peut être équipé d'une pompe externe qui fournit l'eau pour nettoyer la vitre.

Lorsque l'on envoie la commande, la tourelle se positionne avec la vitre devant la buse (9.1.2 Page Contrôles Utilisateur, page 22). La pompe et l'essuie-glace sont validés pendant une durée déterminée. À la fin de la procédure la tourelle revient dans sa position initiale.

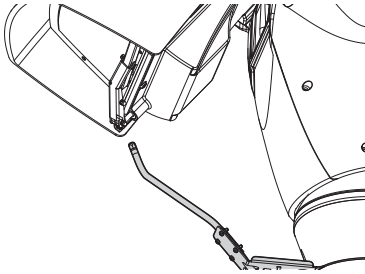


Fig. 70

### 10.1.1 Branchement du système de lavage

**!** ATTENTION! L'installation est du type TNV-1. Ne pas la connecter à des circuits SELV.

**!** ATTENTION! Pour réduire les risques d'incendie, utiliser uniquement des câbles certifiés UL Listed ou CSA de sections égales ou supérieures à 0.14mm<sup>2</sup> (26AWG).

**!** Tous les câbles de signalisation doivent également être regroupés avec un collier.

BRANCHEMENT DU SYSTÈME DE LAVAGE	
Bornes	Description
O1-C1	Contact sec pour activation du système de lavage.

Tab. 5

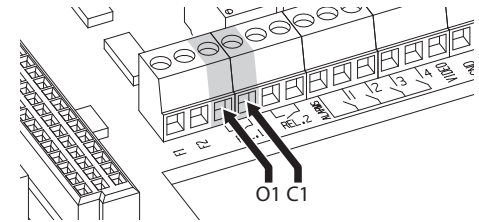


Fig. 71

## 10.2 Support fixation murale

Support mural avec passage interne des câbles.

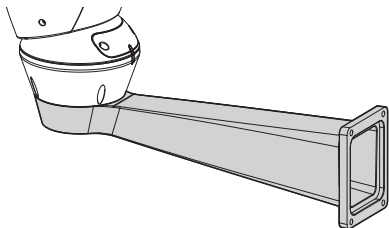


Fig. 72

## 10.3 Support fixation sol

Support de fixation au sol avec passage interne des câbles.



Fig. 73

## 10.4 Alimentateur avec contrôle des projecteurs.

Boîte étanche avec alimentateur et contrôle des projecteurs.

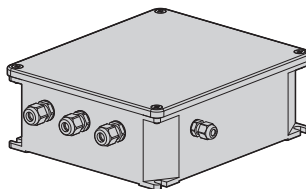


Fig. 74 Version du boîtier standard.

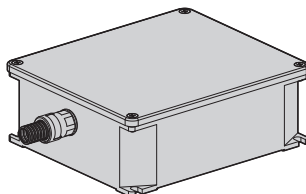


Fig. 75 Version du boîtier certifié UL.



**Pour d'autres renseignements se référer à le chapitre relatif (7.4.3 Branchement des entrées d'alarme, de l'interrupteur crépusculaire et des relais, page 15).**

## 11 Entretien



**ATTENTION!** L'installation et l'entretien du dispositif doivent être effectués exclusivement par un personnel technique qualifié.



L'entretien doit être uniquement effectué par un personnel qualifié en matière de circuits électriques.

### 11.1 Remplacement des fusibles



**Il faut effectuer l'entretien en absence d'alimentation et lorsque le dispositif de sectionnement ouvert.**

En cas de nécessité remplacer le fusible illustrée sur la figure (7.3 Description de la carte de connexion, page 13).

REPLACEMENT DES FUSIBLES		
Tension	Fusible F1	Fusible F2
24Vac, 50/60Hz	F 6.3A H 250V 5x20	T 8A H 250V 5x20
120Vac, 50/60Hz	F 6.3A H 250V 5x20	T 4A H 250V 5x20
230Vac, 50/60Hz	F 6.3A H 250V 5x20	T 2A H 250V 5x20

Tab. 6

## 12 Nettoyage

### 12.1 Nettoyage de la fenêtre et des parties en plastique



**On doit éviter alcool éthylique, solvants, hydrocarbures hydro-génés, acides forts et alcali. L'emploi de ce type de produits abîme d'une façon irréparable la surface traitée.**

Il est conseillé d'utiliser un chiffon souple avec des savons neutres dilués avec de l'eau ou des produits spécifiques pour le nettoyage des verres des lunettes.

## 13 Informations sur l'élimination et le recyclage

La Directive Européenne 2012/19/UE sur les déchets d'équipements électriques et électroniques (DEEE) exige que ces dispositifs ne doivent pas être éliminés dans le flux normal de déchets solides municipaux, mais ils doivent être collectés séparément afin d'optimiser le flux de récupération et de recyclage des matériaux qu'ils contiennent et pour réduire l'impact sur la santé humaine et l'environnement en raison de la présence de substances potentiellement dangereuses.



**Le symbole de la poubelle sur roues barrée d'une croix figure sur tous les produits pour le rappeler.**

Les déchets peuvent être livrés aux centres de collecte appropriés ou peuvent être livrés gratuitement au distributeur où vous avez acheté l'équipement, au moment de l'achat d'un nouvel dispositif équivalent ou sans obligation d'achat pour un équipement de taille inférieure de 25cm.

Pour plus d'informations sur l'élimination correcte de ces dispositifs, vous pouvez contacter le service public responsable.

## 14 Dépannage



**Pour toute problématique que ce soit non décrite ou si les problèmes énumérés ci-après persistent, contacter le centre d'assistance autorisé.**

<b>PROBLÈME</b>	<b>Le produit ne s'allume pas.</b>
CAUSE	Câblage incorrect, rupture des fusibles.
SOLUTION	Vérifier les connexions. Vérifier la continuité des fusibles et les remplacer avec les modèles indiqués en cas de panne.
<b>PROBLÈME</b>	<b>Durant la mise en service, la tourelle reste bloquée.</b>
CAUSE	La température ambiante est très basse.
SOLUTION	Attendre la fin de la procédure de préchauffage.
<b>PROBLÈME</b>	<b>La caméra ne fait pas une mise au point correcte</b>
CAUSE	La caméra a perdu les programmations
SOLUTION	Contactez l'assistance pour la procédure guidée de backfocus.
<b>PROBLÈME</b>	<b>À basses températures, le streaming vidéo n'est pas accessible, de nombreuses options des menus sont désactivées.</b>
CAUSE	Le système est encore en phase de deicing (durée typique de 1 à 2 heures)
SOLUTION	Dans le menu Outils, cliquer sur le bouton REDÉMARRER. Si la température ambiante est trop basse, l'unité reste bloquée.

## 15 Données techniques

### 15.1 Généralités

Caisson positionné en partie supérieure (OTT)

Transmission par courroie dentée de haute précision

Slip-ring

Fins de course électroniques

Aucun jeu mécanique

Capteurs optiques pour positionnement absolu

Essuie-glace intégré

Caméra et objectif préinstallés

### 15.2 Mécanique

Fabriqué en fonte d'aluminium et en technopolymère

Vernissage avec poudres époxypolyester, couleur RAL9002

Rotation horizontale: 360°, rotation continue

Zoom 33x:

- Rotation verticale: de -20° jusqu'à +45°
- Vitesse horizontale (variable): de 0.02°/s jusqu'à 20°/s
- Vitesse verticale (variable): de 0.02°/s jusqu'à 20°/s

Précision du rappel des positions de preset: 0.02°

Presse-étoupes: 3xM16

Poids net: 30kg

### 15.3 Électricité

Tension d'alimentation/Courant absorbé:

- 230Vac, 0.4A, 50/60Hz
- 120Vac, 0.8A, 50/60Hz
- 24Vac, 4A (8A avec projecteurs à LED), 50/60Hz

Puissance absorbée (projecteurs éteints):

- 24W, tourelle à l'arrêt (stand-by), chauffage éteint
- 100W, tourelle en mouvement, chauffage allumé

Puissance absorbée (projecteurs allumés):

- 150W, tourelle en mouvement, chauffage allumé, projecteurs à la puissance minimum
- 190W, tourelle en mouvement, chauffage allumé, projecteurs à la puissance maximum

4 sorties d'alarmes auto-alimentées

2 contacts secs: 30Vdc max ou 30Vac, @ 1A

### 15.4 Communications

Connecteur: RJ45, 10BASE-T/100BASE-T

Protocole: ONVIF, Profil S (TCP/IPv4, UDP/IPv4, HTTP, NTP, DHCP, WS-DISCOVERY, QoS, RTSP, RTCP, RTP)

## 15.5 Caméras

Day/Night Full HD, 60fps, capteur CMOS 1/2.8"

Pixels effectifs: 2 Megapixel

Éclairage minimum, couleur (ICR-OFF):

- 0.041 lx 1/25s F3.0, 50 IRE

Éclairage minimum, B/W (ICR-ON):

- 0.005 lx 1/25s F3.0, 50 IRE

Zoom 33x:

- Angle de vision horizontal: de 20.51° (wide end) jusqu'à 0.65° (tele end)
- Angle de vision verticale: de 11.58° (wide end) jusqu'à 0.36° (tele end)

S/N Ratio: plus de 55 dB

mode HDR: 110 dB WDR (Mesurée selon la norme IEC 62676 Partie 5)

Paramètres d'image réglables: Contraste, saturation, luminosité

Équilibrage du blanc: de 2500K jusqu'à 10000K, 4 modes automatiques (base, standard, lampe au sodium, couleur dominante), mode Manuel et mode Fixe

Niveau ALC: Réglable

Saturation: Réglable de maximal à moyen

Shutter: Shutter électronique automatique (AES, Automatic Electronic Shutter); Shutter Fixe (de 1/25 [30] jusqu'à 1/15000)sélectionnable; Shutter par défaut

Day/Night: Auto (points de commutation réglables), couleur, monochrome

Netteté: Possibilité de régler le niveau d'optimisation de la netteté

Compensation du contrejour : On/Off/Intelligent Auto Exposure (IAE)

Optimisation contraste : On/Off

Réduction perturbations : Intelligent Dynamic Noise Reduction avec réglages temporels et spatiaux séparés

Intelligent Defog

Video Content Analysis Intelligent Video Analytics

Modes scène : 10 modes prédéfinis avec programmeur : Intérieur, Extérieur, Trafic, Faible éclairage, EA intelligent, Vibration, Bitrate bas, Sport et jeu, Boutiques, Reconnaissance plaques (LPR)

Occultation zones

## 15.6 Optiques

Zoom 33x, 15.2-500mm, F3.0 (Système de compensation thermique et filtre anti-éblouissement - Visible Cut Filter)

## 15.7 Environnement

Installation d'intérieur et d'extérieur

Température de fonctionnement

- Fonctionnement continu: de -40°C jusqu'à +60°C
- Fonctionnement non continu (température maximale absolue pendant de brèves périodes): +65°C
- Cold start (objectifs 33x): -30°C

Protection contre les impulsions: jusqu'à 2kV entre ligne et ligne, jusqu'à 4kV entre ligne et terre (Classe 4)

Humidité relative: de 10% jusqu'à 95% (sans condensation)

## 15.8 Certifications

Sécurité électrique (CE): EN60950-1, IEC60950-1, EN62368-1, IEC62368-1

Compatibilité électromagnétique (CE): EN50130-4, EN61000-6-4, EN55022 (Classe A), FCC Part 15 (Classe A)

Installation à l'extérieur (CE): EN60950-22, IEC60950-22

Sécurité photobiologique (CE): EN62471 (projecteurs à LED)

Degré de protection IP: EN60529, IP66

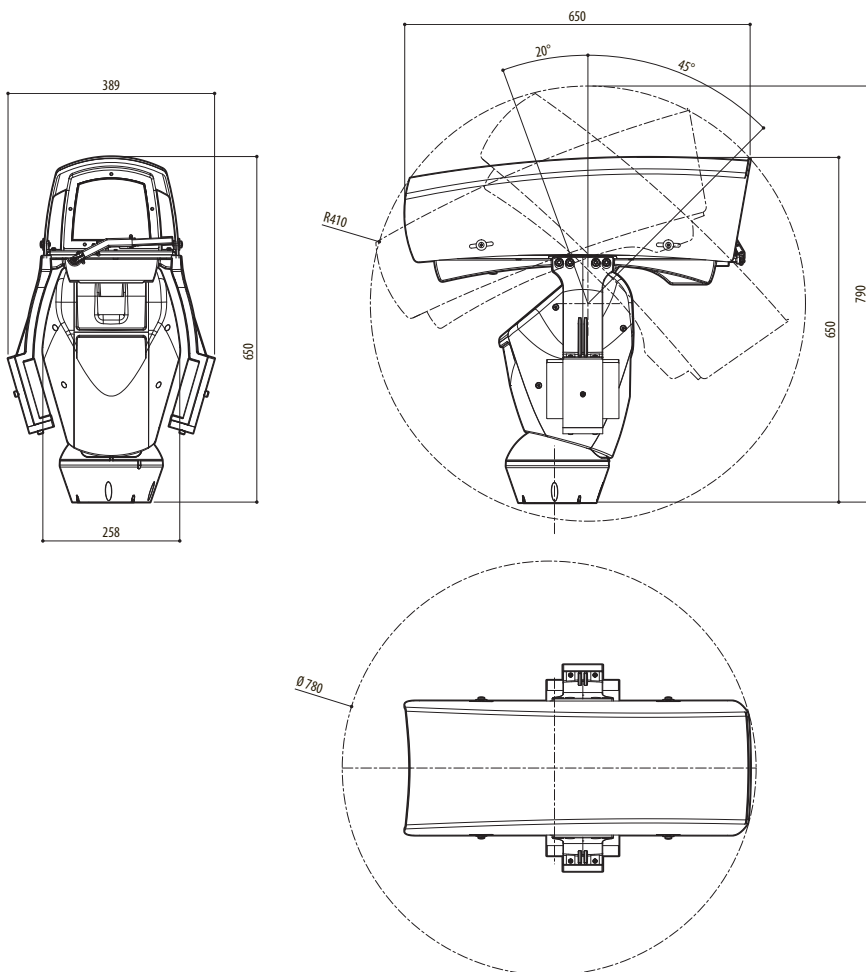
Résistant à la brume saline: EN50130-5, EN60068-2-52

Certification EAC

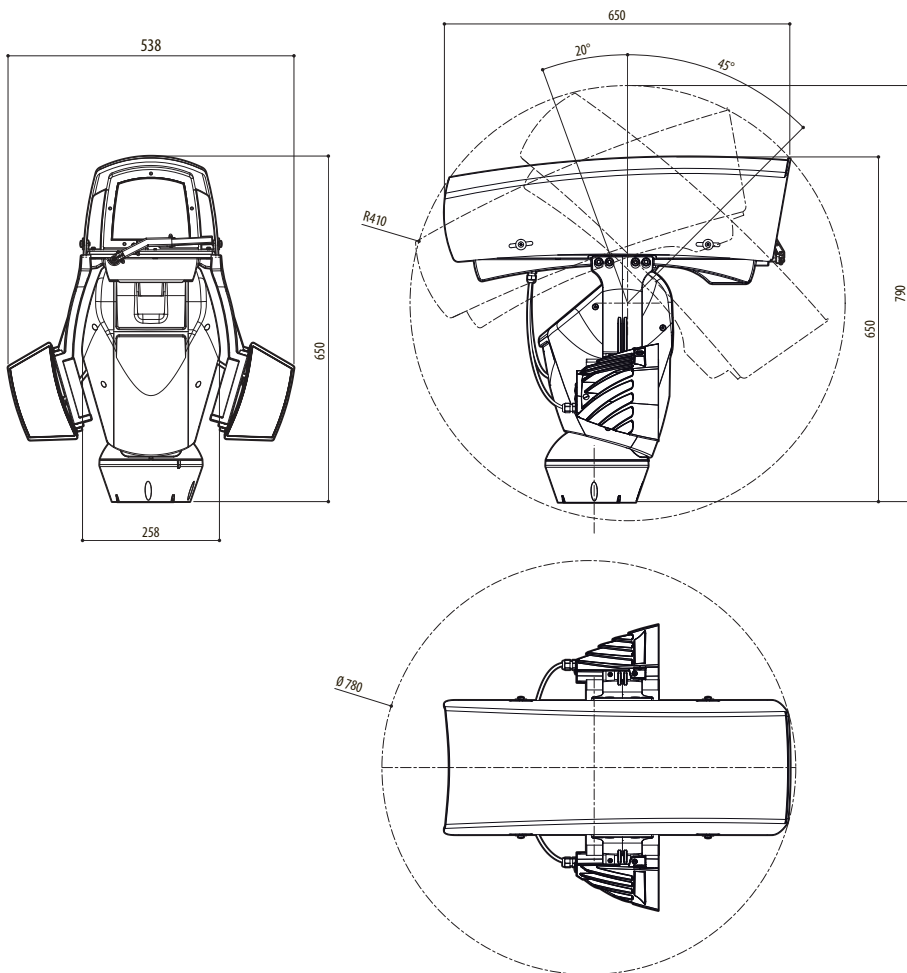
conforme NDAA

# 16 Dessins techniques

**i** Les tailles indiquées sont en millimètres.



**Fig. 76** ULISSE RADICAL, Zoom 33x.



**Fig. 77** ULISSE RADICAL, Zoom 33x, version avec prédisposition pour le montage des deux projecteurs à LED.



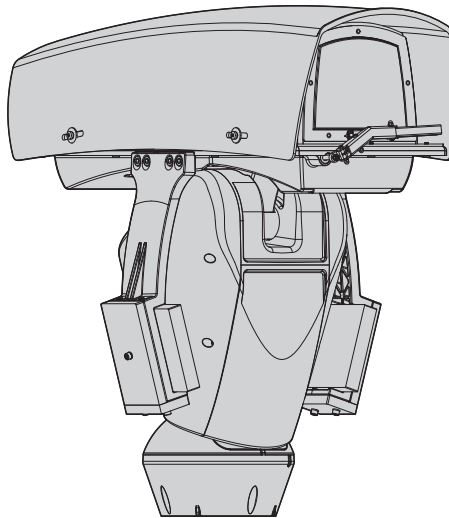
**Headquarters Italy Videotec s.r.l.**  
 Via Friuli, 6 - I-36015 Schio (VI) - Italy  
 Tel. +39 0445 697411 - Fax +39 0445 697414  
 Email: [info@videotec.com](mailto:info@videotec.com)  
[www.videotec.com](http://www.videotec.com)





# ULISSE RADICAL

Langstrecken HD PTZ mit Höchstleistungskamera und -objektiv





# Inhaltsverzeichnis

<b>1 Allgemeines</b> .....	<b>5</b>
1.1 Schreibweisen.....	5
<b>2 Anmerkungen zum Copyright und Informationen zu den Handelsmarken</b> .....	<b>5</b>
<b>3 Sicherheitsnormen</b> .....	<b>5</b>
<b>4 Identifizierung</b> .....	<b>8</b>
4.1 Beschreibung und Bezeichnung des Produktes .....	8
4.2 Kennzeichnung des Produkts .....	8
4.2.1 Prüfung der Kennzeichnung.....	8
<b>5 Versionen</b> .....	<b>9</b>
5.1 LED- Scheinwerfer.....	9
<b>6 Vorbereitung des Produktes auf den Gebrauch</b> .....	<b>9</b>
6.1 Sicherheitsvorkehrungen vor dem Gebrauch .....	9
6.2 Entfernen der Verpackung .....	10
6.2.1 Entfernung der Schutzverpackung .....	10
6.2.1.1 Öffnen des Gehäuses .....	10
6.2.1.2 Herausziehen der Schutzverpackung .....	10
6.3 Inhalt .....	11
6.4 Sichere Entsorgung der Verpackungsmaterialien .....	11
6.5 Auf die Installation vorbereitende Tätigkeiten .....	11
6.5.1 Befestigung der Halterung .....	11
6.5.2 Kabelführung .....	11
<b>7 Installation</b> .....	<b>12</b>
7.1 Anschließen der Kabel an die Basis .....	12
7.2 Befestigung der Basis an der Halterung.....	13
7.3 Beschreibung der Karte Anschlüsse .....	13
7.4 Anschluss der Stromversorgung.....	14
7.4.1 Anschluss der Stromversorgungslinie 24Vac .....	14
7.4.2 Anschluss der Versorgungsleitung in 120Vac und 230Vac.....	15
7.4.3 Anschluss der Alarmeingänge, der Dämmerungsschalter und der Relais.....	15
7.5 Anschluss des Ethernet-Kabels .....	16
7.6 Befestigung des oberen Körpers .....	16
7.7 Aufbau der Gegengewichte .....	16
7.8 Montage der Scheinwerfer mit LED.....	17
7.8.1 Entfernen der Gegengewichte.....	17
7.8.2 Montage des Scheinwerfers auf den Bügel .....	17
7.9 Anschluss der LED-Scheinwerfer .....	18
7.10 Einstellung und Aktivierungsarten der LED-Scheinwerfer .....	18
7.10.1 Beschreibung des LED-Scheinwerfers .....	18
7.10.2 Einstellung der Einschaltsschwelle der LED-Scheinwerfer.....	19
7.10.3 Einstellung der Leistung der LED-Scheinwerfer .....	19
7.11 Befestigung des Wischerblattes .....	20
<b>8 Einschaltung</b> .....	<b>20</b>

<b>9 Konfiguration</b> .....	<b>21</b>
9.1 Web-Schnittstelle .....	21
9.1.1 Home Seite.....	21
9.1.2 Benutzersteuerung Seite .....	22
9.1.3 Geräteparameter Seite.....	23
9.1.4 Gerätestatistiken Seite .....	24
9.1.5 Netzwerk-Konfiguration Seite.....	24
9.1.6 Benutzer-Konfiguration Seite.....	25
9.1.7 Bewegungsparameter Seite .....	25
9.1.7.1 Autopan Seite .....	26
9.1.7.2 Patrol Seite.....	26
9.1.7.3 Bewegungsanforderung Seite.....	26
9.1.8 Preset-Parameter Seite.....	26
9.1.9 Preset-Parameter Seite (Fortgeschritten).....	26
9.1.10 Digitale I/O Seite.....	27
9.1.11 Washer Seite.....	27
9.1.12 Kamera-Parameter Seite.....	28
9.1.13 Werkzeuge Seite .....	28
9.1.14 Factory Default.....	29
9.2 VTTunnel.....	30
9.3 Kamera .....	30
<b>10 Zubehör</b> .....	<b>31</b>
10.1 Waschanlage.....	31
10.1.1 Anschluss der Waschanlage .....	31
10.2 Wandhalterung .....	32
10.3 Halterung für Brüstungsmontage.....	32
10.4 Netzteil mit Steuerung der Scheinwerfer.....	32
<b>11 Wartung</b> .....	<b>33</b>
11.1 Wechsel der Sicherungen .....	33
<b>12 Reinigung</b> .....	<b>33</b>
12.1 Reinigung des Fensters und der Kunststoffteile.....	33
<b>13 Informationen bezüglich Entsorgung und Recycling</b> .....	<b>34</b>
<b>14 Problemlösung</b> .....	<b>34</b>
<b>15 Technische Daten</b> .....	<b>35</b>
15.1 Allgemeines .....	35
15.2 Mechanik.....	35
15.3 Elektrik .....	35
15.4 Kommunikation.....	35
15.5 Kamera.....	36
15.6 Optiken .....	36
15.7 Umgebung .....	36
15.8 Zertifizierungen.....	36
<b>16 Technische Zeichnungen</b> .....	<b>37</b>

# 1 Allgemeines

Vor der Installation und Anwendung dieses Produkts ist die gesamte mitgelieferte Dokumentation aufmerksam zu lesen. Zum späteren Nachschlagen das Handbuch in Reichweite aufbewahren.

## 1.1 Schreibweisen



### GEFAHR!

**Erhöhte Gefährdung.**  
Stromschlaggefahr. Falls nichts anderes angegeben, unterbrechen Sie die Stromversorgung, bevor die beschriebenen Arbeiten durchgeführt werden.



### GEFAHR!

**Heiße Oberfläche.**  
Nicht berühren. Die Oberflächen sind heiß und können bei Berührung zu Verbrennungen führen.



### GEFAHR!

**Gefahr mechanischer Natur.**  
Quetsch- oder Scherkantengefahr.



### ACHTUNG!

**Mittlere Gefährdung.**  
Der genannte Vorgang hat große Bedeutung für den einwandfreien Betrieb des Systems. Es wird gebeten, sich die Verfahrensweise durchzulesen und zu befolgen.



### ANMERKUNG

**Beschreibung der Systemmerkmale.**  
Eine sorgfältige Lektüre wird empfohlen, um das Verständnis der folgenden Phasen zu gewährleisten.

## 2 Anmerkungen zum Copyright und Informationen zu den Handelsmarken

Die angeführten Produkt- oder Firmennamen sind Handelsmarken oder eingetragene Handelsmarken.

ONVIF® ist ein eingetragenes Markenzeichen von Onvif, Inc.

# 3 Sicherheitsnormen



**ACHTUNG! Die elektrische Anlage, an der die Einheit angeschlossen ist, muss mit einem automatischen zweipoligen Schutzschalter 20A max ausgestattet sein. Dieser Schalter muss vom Typ Listed sein. Zwischen den Schutzschalter Kontakten muss mindestens ein Abstand von 3mm vorhanden sein. Der Schalter muss eine Schutzeinrichtung gegen Erde Fehlerstrom (Differenzial) und gegen Überstrom haben (magnetothermisch).**



**ACHTUNG! Gefährliche Loseile. Finger und andere Körperteile fernhalten.**



**ACHTUNG! Die Installation und Wartung der Vorrichtung ist technischen Fachleuten vorbehalten.**



**ACHTUNG! Damit ein ständiger Brandschutz garantiert wird, sind die Sicherungen nur in dem gleichen Typ und Wert zu ersetzen. Die Sicherungen sind nur von Fachleuten zu ersetzen.**



**ACHTUNG! Die Anlage gehört zum Typ TNV-1. Nicht an Kreisläufe SELV anschließen.**



**ACHTUNG! Zur Senkung der Brandgefahr dürfen nur UL Listed oder CSA zertifizierte Kabel benutzt werden, die mindestens dem Querschnitt 0.14mm<sup>2</sup> (26AWG) entsprechen.**

- Der Hersteller lehnt jede Haftung für eventuelle Schäden ab, die aufgrund unsachgemäßer Anwendung der in diesem Handbuch erwähnten Geräte entstanden ist. Ferner behält er sich das Recht vor, den Inhalt ohne Vorkündigung abzuändern. Die Dokumentation in diesem Handbuch wurde sorgfältig ausgeführt und überprüft. Der Hersteller kann dennoch keine Haftung für die Verwendung übernehmen. Dasselbe gilt für jede Person oder Gesellschaft, die bei der Schaffung oder Produktion von diesem Handbuch miteinbezogen ist.

- Unterbrechen Sie die Stromversorgung, bevor die beschriebenen Arbeiten durchgeführt werden.
- Es dürfen keine Kabel mit Verschleiß- oder Alterungsspuren verwendet werden.
- Unter keinen Umständen dürfen Veränderungen oder Anschlüsse vorgenommen werden, die in diesem Handbuch nicht genannt sind. Der Gebrauch ungeeigneten Geräts kann die Sicherheit des Personals und der Anlage schwer gefährden.
- Es dürfen nur Original-Ersatzteile verwendet werden. Nicht originale Ersatzteile können zu Bränden, elektrischen Entladungen oder anderen Gefahren führen.
- Vor der Installation ist anhand des Kennzeichnungsschildes nachzuprüfen, ob das gelieferte Material die gewünschten Eigenschaften (4.2 Kennzeichnung des Produkts, Seite 8).
- Die Installationskategorie (auch als Überspannungskategorie bezeichnet) gibt den Pegel der Netzspannungsstöße an, denen die Ausrüstung ausgesetzt ist. Die Kategorie hängt vom Installationsort der Ausrüstung und von den externen Schutzvorrichtungen gegen Spannungsstöße ab. Ausrüstungen in einer gewerblichen Umgebung, die direkt mit den Hauptzweigen der Versorgungsanlage verbunden sind, gehören zur Installationskategorie III. In diesem Fall ist eine Abstufung auf Installationskategorie II erforderlich. Alternativ können UL listed Überspannungsschutzvorrichtungen (SPD) von Fase zu Nullleiter und von Nullleiter zur Erde geführt werden. UL-gelistete Überspannungsschutzvorrichtungen sind für die wiederholte Begrenzung kurzzeitig auftretender Spannungsspitzen und für die folgenden nominellen Betriebsbedingungen auszulegen: Typ 2 (Dauerhaft angeschlossene Überspannungsschutzvorrichtungen für die Installation auf der Ladungsseite der Hilfseinrichtung); Nennentladestrom (In) 20kA min. Benutzt werden können beispielsweise: FERRAZ SHAWMUT, STT2240SPG-CN, STT2BL240SPG-CN, spezifiziert für 120Vac/240Vac, (In=20kA). Der maximale Abstand zwischen dem Einbau und der Abkürzung ist 5m.
- Die Einrichtung ist für die dauerhafte Befestigung und Verbindung in ein Gebäude oder eine andere geeignete Struktur konzipiert. Vor jeder Operation muss die Einrichtung dauerhaft befestigt und verbunden werden.
- Die elektrische Anlage muss mit einem Netztrennschalter versehen sein, der im Bedarfsfall sofort erkannt und gebraucht werden kann.
- Der im Gerät verfügbare Erdungsanschluss muss ständig geerdet sein.
- Vorgeschrieben ist der Anschluss an eine Versorgungsquelle, deren Eigenschaften den Angaben auf dem Kennzeichnungsschild entsprechen. Vor der Installation ist zu prüfen, ob die Stromleitung sachgerecht abgetrennt ist. Die Versorgungsspannung darf die Toleranzen ( $\pm 10\%$ ) nicht überschreiten.
- Die Vorrichtung mit einer isolierten Quelle Typ SELV 24Vac, 8A versorgen, von einem Transformator mit doppelter Isolierung UL Listed kommend, der entsprechend am Ausgang geschützt ist.
- Das Gerät umfasst bewegliche Teile. Stellen Sie sicher, dass die Einheit an einer Stelle positioniert wird, die unter normalen Betriebsbedingungen nicht zugänglich ist.
- Bringen Sie das Schildchen Gefährliche Bewegungsteile in der Nähe der Einrichtung an. ( Abb. 3, Seite 9).
- Das Gerät nicht in der Nähe entzündlicher Stoffe benutzen.
- Für den Anschluss der Versorgungsleitung den entsprechenden Anschlusskasten verwenden (UPTJBUL). Für weitere Informationen siehe Bedienungs- und Installationshandbuch des Produktes.

- Kindern oder unbefugten Personen ist der Gebrauch des Gerätes zu untersagen.
- Die Wartung der Einrichtung ist Fachleuten vorbehalten. Während der Wartungsarbeiten ist die tätige Person der Gefahr von Stromschlägen und anderen Gefahren ausgesetzt.
- Verwenden Sie nur vom Hersteller empfohlenes Zubehör. Jede vom Hersteller nicht ausdrücklich genehmigte Veränderung führt zum Verfall der Gewährleistungsrechte.
- Vor dem Anschluss sämtlicher Signalkabel ist zu prüfen, ob die Einrichtung sachgerecht mit dem Erdungskreis verbunden ist.
- Wenn die Einrichtung von der Anlage getrennt werden muss, ist das Erdungskabel stets zuletzt abzuklemmen.
- Vermeiden Sie durch gebotene Vorkehrungen, dass das Gerät durch elektrostatische Entladungen beschädigt wird.
- Die Einheit ist dafür ausgelegt, über ein dreipoliges Kabel angeschlossen zu werden. Folgen Sie den Anleitungen in diesem Handbuch für den korrekten Anschluss des Erdungskreises.
- Die Einrichtung ist vorsichtig zu handhaben, starke mechanische Beanspruchungen könnten sie beschädigen.
- Achten Sie besonders auf die Isolierabstände zwischen der Versorgungsleitung und allen anderen Kabeln einschließlich der Vorrichtungen zum Schutz gegen Blitzeinschlag.
- Die Einrichtung darf nur mit größter Vorsicht transportiert werden. Ruckartige Haltemanöver, Höhenunterschiede und starke Aufpralle können das Objekt schädigen oder den Benutzer verletzen.

## 4 Identifizierung

### 4.1 Beschreibung und Bezeichnung des Produktes

ULISSE RADICAL ist das erste einsatzbereite PTZ Full HD System des Videotec-Netzwerks, das außergewöhnliche vorab konfigurierte Optik- und Kamerakombinationen integriert, Full HD 1080p, 60fps und CMOS Sensoren mit 1/2.8" für Videos mit Broadcastqualität Tag und Nacht größerer externer Bereiche.

Um den anforderungsvollsten Spezifikationen der Videoüberwachung nachzukommen, ist diese PTZ-Einheit mit 33x-Optiken mit erweitertem Autofocus, der automatisch die Fokussierung bei einem weit entfernten Subjekt mit scharfen Einzelheiten beibehält, ausgestattet.

ULISSE RADICAL ist ONVIF, Profil S, zertifiziert und ist daher mit den meisten VMS auf dem Markt kompatibel.

Der PTZ ASSISTANT-Plug-in-Software von Videotec unterstützt jede VMS mit der Steuerung aller Sonderfunktionen wie Wischer, Wascher, IR, Autofokus.

Die außergewöhnliche Bewegungsfähigkeit ist von den leistungsfähigen Motoren auch bei einer minimalen Geschwindigkeit von 0.02°/sec. garantiert.

Die Performance bleibt optimal auch bei völliger Dunkelheit dank den leistungsfähigen LED-Scheinwerfern, die Entfernungen über 300m (mit zwei UPTIRN- Scheinwerfer, 10°, 850nm) erreichen können.

ULISSE RADICAL mit 33x-Zoom bietet ein thermisches Ausgleichsystem und einen Visible Cut Filter.

Dank ihrer Präzision, Zuverlässigkeit und Robustheit, ist diese PTZ-Kamera die ideale Lösung für die Videoüberwachung von weiten Außenbereichen, darunter: Überwachung von Grenzen, Hafen, Bereichen mit weiter Entfernung, Verkehr und Autobahnen, militärischen Anlagen.

## 4.2 Kennzeichnung des Produkts



Auf dem Produkt befindet sich ein Etikett, das mit der CE-Kennzeichnung übereinstimmt.

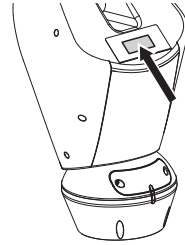


Abb. 1

Das Schildchen nennt:

- Identifizierungscode des Modells (Strichcode Extended 3/9).
- Versorgungsspannung (Volt).
- Frequenz (Hertz).
- Stromaufnahme (Ampere).
- Schutzart (IP).
- Seriennummer.

### 4.2.1 Prüfung der Kennzeichnung

Vor Beginn der Installationsarbeiten ist zu kontrollieren, ob das gelieferte Material den jeweiligen Anforderungen entspricht. Zu erkennen ist dies anhand der Kennzeichnungsschilder.

Unter keinen Umständen dürfen Veränderungen oder Anschlüsse vorgenommen werden, die in diesem Handbuch nicht genannt sind. Der Gebrauch ungeeigneten Geräts kann die Sicherheit des Personals und der Anlage schwer gefährden.



## 5 Versionen

### 5.1 LED- Scheinwerfer

 Die Version mit LED- Scheinwerfern kann nur mit einer Spannung von 24Vac betrieben werden.

Der S-N-Kopf kann mit einer Halterung für 2 VIDEOTEC LED- Scheinwerfer für die Nachtüberwachung (Scheinwerfer nicht eingeschlossen).

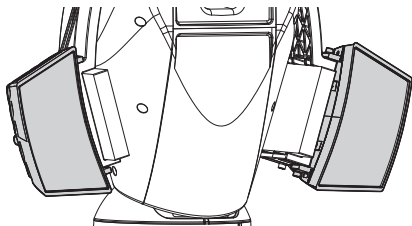




Abb. 2


 Für weitere Infos bitte entsprechendes Kapitel beachten (7.8 Montage der Scheinwerfer mit LED, Seite 17).

## 6 Vorbereitung des Produktes auf den Gebrauch

 Jede vom Hersteller nicht ausdrücklich genehmigte Veränderung führt zum Verfall der Gewährleistungsrechte.

 Das Produkt darf nicht zerlegt oder manipuliert werden. Ausnahmen sind nur die Montage- und Wartungsarbeiten, die laut dieser Anleitung vorgesehen sind.

### 6.1 Sicherheitsvorkehrungen vor dem Gebrauch

 Das Gerät umfasst bewegliche Teile. Stellen Sie sicher, dass die Einheit an einer Stelle positioniert wird, die unter normalen Betriebsbedingungen nicht zugänglich ist. Bringen Sie das im Lieferumfang des Gerätes enthaltene Schildchen in der Nähe des Objektes an gut sichtbarer Stelle an.



**ATTENZIONE!**  
Parti mobili pericolose. Non avvicinare dita e altre parti del corpo.

**WARNING!**  
Hazardous moving parts. Keep fingers and other body parts away.

**AVERTISSEMENT!**  
Parties mobiles dangereuses. Ne pas approcher les doigts au d'autres parties du corps.

**ACHTUNG!**  
Gefährliche bewegliche Teile. Finger und andere Körperteile fernhalten.

Abb. 3

## 6.2 Entfernen der Verpackung

Bei der Lieferung des Produktes ist zu prüfen, ob die Verpackung intakt ist oder offensichtliche Anzeichen von Stürzen oder Abrieb aufweist.

Bei offensichtlichen Schadensspuren an der Verpackung muss umgehend der Lieferant verständigt werden.

Im Falle der Rückgabe des nicht korrekt funktionierenden Produktes empfiehlt sich die Verwendung der Originalverpackung für den Transport.

Bewahren Sie die Verpackung auf für den Fall, dass das Produkt zur Reparatur eingesendet werden muss.

**i** Die Haube der Vorrichtung Einrichtung vorsichtig auspacken, damit das Gehäuse keinen Schaden nimmt.

### 6.2.1 Entfernung der Schutzverpackung

Vor der Geräteinstallation, soll die Schutzverpackung entfernt werden.

#### 6.2.1.1 Öffnen des Gehäuses

Die lecksicheren Schrauben an den Seiten lösen, den oberen Teil des Gehäuses anheben.

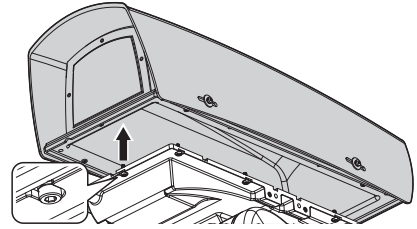


Abb. 4

**i** Die beiden zentralen Schrauben als erstes festziehen wie in der Abbildung dargestellt.

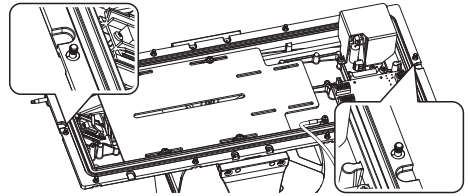


Abb. 5

**i** Nach Beendigung der Installation und der Verkabelung das Produkt wieder schließen.

#### 6.2.1.2 Herausziehen der Schutzverpackung

Nach Öffnen des Gehäuse, die Schutzverpackung herausziehen.

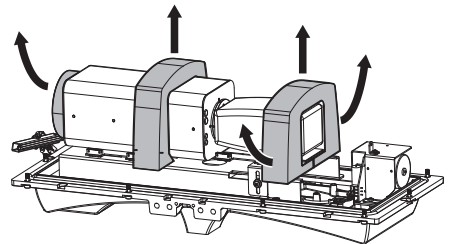


Abb. 6

## 6.3 Inhalt

Prüfen Sie, ob der Inhalt mit der nachstehenden Materialliste übereinstimmt:

- Positionierungseinheit
- Basis für Netzstromversorgung
- Zubehör Packung:
  - Serieller Adapter
  - Seriellles Verlängerungskabel
  - Innensechskantschlüssel
  - Abstandsstücke
  - Schildchen
  - Kabelbinder
  - Ferrit
  - Silikonummantelung
  - Reduzierdichtungen für Kabelverschraubungen
  - Bedienungsanleitung
  - Befestigungsplatte für Beutelchen
  - Schrauben
- Gegengewichte Packung:
  - Gegengewichte
  - Halterungen für Gegengewichte
- Sonnenschutzdach
- Werkzeugsatz zur Montage des Waschsystems (WASPT):
  - Düsenhalterung mit Schrauben (Düse und Rohre sind im Waschset enthalten)

## 6.4 Sichere Entsorgung der Verpackungsmaterialien

Die Verpackungsmaterialien sind vollständig wiederverwertbar. Es ist Sache des Installationstechnikers, sie getrennt, auf jeden Fall aber nach den geltenden Vorschriften des Anwendungslandes zu entsorgen.

## 6.5 Auf die Installation vorbereitende Tätigkeiten

### 6.5.1 Befestigung der Halterung



**Im Falle von Installationen, die Vibrationen ausgesetzt sind, nur die Brüstungshalterung verwenden.**

Verschiedene Halterungen sind (10 Zubehör, Seite 31). Das geeignetste für die Installation auswählen und alle Angaben aus diesem Kapitel befolgen.



**Besondere Aufmerksamkeit verlangen die Befestigungssysteme des Gerätes. Das Befestigungssystem muss in der Lage sein, mindestens das 4-fache Gewicht des gesamten Geräts zu tragen.**



**Die Einrichtung muss in senkrechter Lage montiert werden. Jede andere Stellung könnte die Leistungen des Gerätes beeinträchtigen.**



**Den Schwenk-Neige-Kopf nicht umgekehrt montieren.**

### 6.5.2 Kabelführung



**Die Verbindungskabel dürfen von außen nicht zugänglich sein.**



**Die Kabel müssen passend an der Struktur befestigt werden, um zu vermeiden, dass ein übermäßiges Gewicht zu einem versehentlichen Herabgleiten führt.**



**Die verwendeten Kabel müssen der Anlagenart angemessen sein.**

Die Kabel so in die Halterung einführen, dass sie ungefähr 50cm hervorschauen.

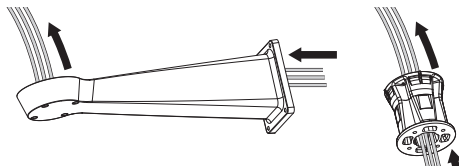


Abb. 7

## 7 Installation



Unter keinen Umständen dürfen **Veränderungen oder Anschlüsse vorgenommen werden, die in diesem Handbuch nicht genannt sind. Die Missachtung der Angaben, die das Handbuch zu den Anschlüssen macht, kann die Sicherheit von Personen und die Sicherheit der Anlage stark gefährden.**



Die **Vorverkabelungen des Produktes dürfen nicht verändert werden. Die Missachtung dieses Verbotes kann die Sicherheit des Personals und der Anlage stark gefährden und führt sie zum Verlust der Gewährleistungsrechte.**



Falls das **Scheibenreinigungsset** verwendet wird, muss die Halterung für die Düse vor der Positionierung des Schwenk-Neige-Kopfes und der Kabel installiert werden. Weitere Informationen können dem Handbuch des Bausatzes entnommen werden.

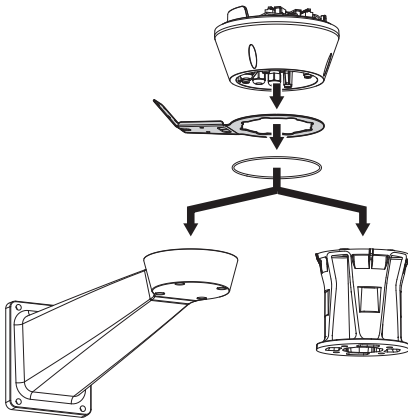


Abb. 8



Im Innern der unteren Haube befindet sich ein Beutelchen, das der Bildung von Feuchtigkeit in der Basis und an den Anschlussplatinen entgegenwirkt. Den Beutel vor der Installation entfernen.

### 7.1 Anschließen der Kabel an die Basis

Die Kabel in den Kabelschellen einführen, während die Basis etwa 20cm von der Halterung entfernt gehalten wird. Die Kabelverschraubungen festziehen. Alle Kabelverschraubungen sind für Kabel mit einem Durchmesser von 5mm bis 10mm geeignet.

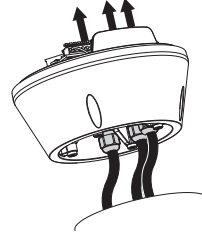


Abb. 9



**Auf die Befestigung achten. Anzugsdrehmoment: 5Nm.**



Für Kabel mit Durchmesser von 3mm bis 7mm die im Lieferumfang enthaltenen Gummidichtungen benutzen.

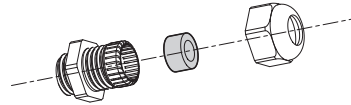


Abb. 10

## 7.2 Befestigung der Basis an der Halterung

**⚠ Verwenden Sie die mit der Basis gelieferten Schrauben und Unterlegscheiben.**

Nach der Positionierung der Dichtung (01), die Basis (02) mit den Schrauben (04), den Zahnscheiben (05) und den Ringen für Schrauben (06) an der Halterung (03) befestigen.

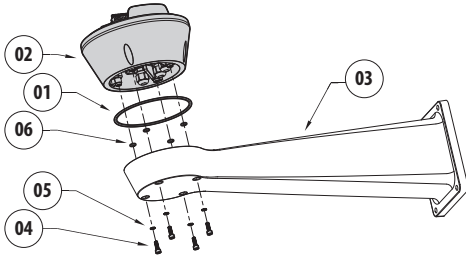


Abb. 11

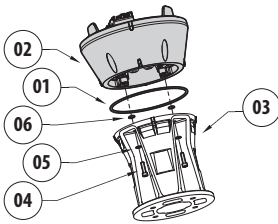


Abb. 12

Die 3 Markierungen auf der Basis an den Markierungen auf den Halterungen ausrichten, wie in der folgenden Abbildung dargestellt.

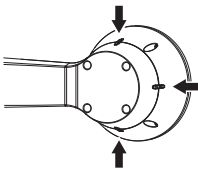


Abb. 13

**⚠ Auf das Loch der Schrauben ein Gewindegewissungsmittel auftragen (Loctite 243®).**

**⚠ Auf die Befestigung achten. Anzugsdrehmoment: 6Nm.**

## 7.3 Beschreibung der Karte Anschlüsse

### BESCHREIBUNG DER KARTE ANSCHLÜSSE

Verbinder/ Komponente	Funktion
CN1	Platinenversorgung
CN4	Signalkabel
Ethernet	Ethernet
F1	Sicherung
F2	Sicherung

Tab. 1

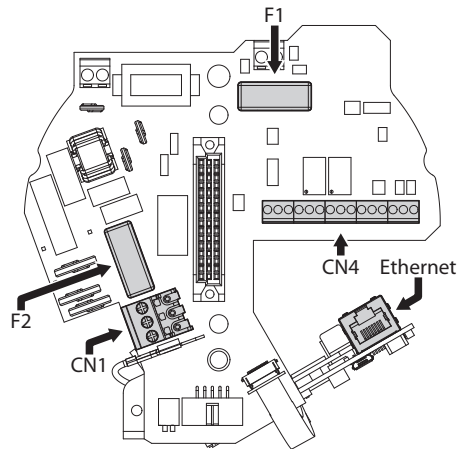


Abb. 14

## 7.4 Anschluss der Stromversorgung

Je nach Version kann die Vorrichtung mit unterschiedlichen Versorgungsspannungen geliefert werden. Der Wert der Versorgungsspannung ist auf dem Kenndatenschildchen des Produktes angegeben. (4.2 Kennzeichnung des Produkts, Seite 8).

**⚠ Die elektrischen Anschlüsse nur durchführen, wenn die Stromversorgung abgetrennt und die Trennvorrichtung offen ist.**

**⚠ Im Zuge der Installation ist zu prüfen, ob die Merkmale der von der Anlage bereitgestellten Versorgung mit den erforderlichen Merkmalen der Einrichtung übereinstimmen.**

**⚠ Prüfen Sie, ob die Quelle und das Versorgungskabel sachgerecht bemessen sind.**

**⚠ Das Erdungskabel muss um etwa 10mm länger sein, als die anderen beiden Kabel, um das ungewollte Lösen durch Ziehen des Kabels zu verhindern.**

**⚠ Ferner muss das Versorgungskabel von einer Silikonummantelung (01) überzogen sein, die im Lieferumfang enthalten ist. Die Silikonummantelung soll mit dem zugehörigen Binder fixiert werden (02).**

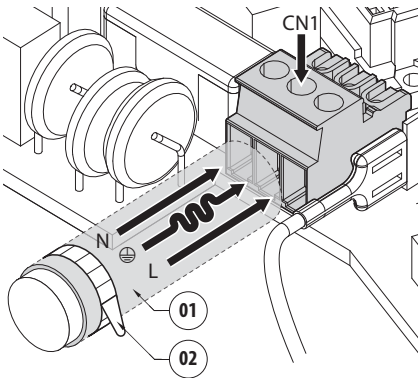


Abb. 15

### 7.4.1 Anschluss der Stromversorgungslinie 24Vac

Die Kabel zuschneiden und die unten beschriebenen Anschlüsse vornehmen. Die Versorgungsleitung am Klemmen anschließen: CN1.

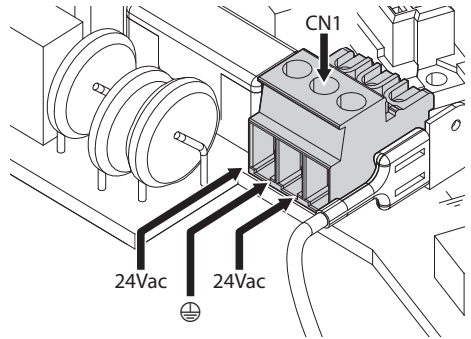


Abb. 16

Die Versorgungskabel sind nach der folgenden Tabelle anzuschließen.

ANSCHLUSS DER STROMVERSORGUNG	
Farbe	Klemmen
Stromversorgung 24Vac	
Vom Installateur festgelegt.	24Vac
Vom Installateur festgelegt.	24Vac
Gelb/Grün	⊕

Tab. 2

## 7.4.2 Anschluss der Versorgungsleitung in 120Vac und 230Vac

Die Kabel zuschneiden und die unten beschriebenen Anschlüsse vornehmen. Die Versorgungsleitung am Klemmen anschließen: CN1.

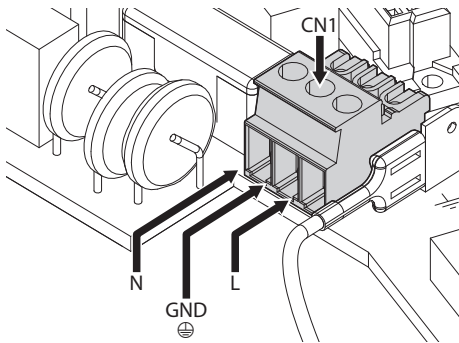


Abb. 17

Die Versorgungskabel sind nach der folgenden Tabelle anzuschließen.

ANSCHLUSS DER STROMVERSORGUNG	
Farbe	Klemmen
Netzteil 230Vac	
Blau	N (Nullleiter)
Braun	L (Phase)
Gelb/Grün	⊕
Netzteil 120Vac	
Blau	N (Nullleiter)
Braun	L (Phase)
Gelb/Grün	⊕

Tab. 3

## 7.4.3 Anschluss der Alarmeingänge, der Dämmerungsschalter und der Relais

**⚠ ACHTUNG!** Die Anlage gehört zum Typ TNV-1. Nicht an Kreisläufe SELV anschließen.

**⚠ ACHTUNG!** Zur Senkung der Brandgefahr dürfen nur UL Listed oder CSA zertifizierte Kabel benutzt werden, die mindestens dem Querschnitt 0.14mm<sup>2</sup> (26AWG) entsprechen.

### Standardmodell

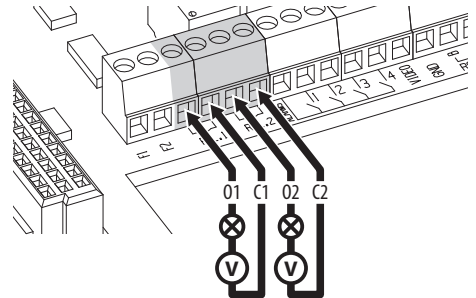


Abb. 18 Anschluss der Relaiskontakte.

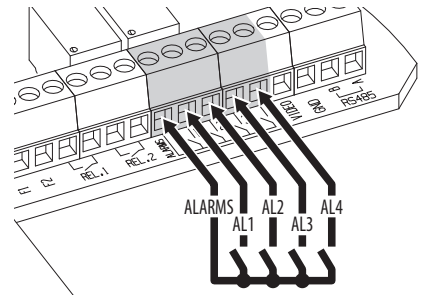


Abb. 19 Anschluss der Alarme.

### Version mit LED- Scheinwerfern

ANSCHLUSS DER ALARMEINGÄNGE, DER DÄMMERUNGSSCHALTER UND DER RELAIS	
AL1, AL2, AL3, AL4 e ALARMS	Eigenbetriebene Alarmeingänge in Bezug auf die gemeinsame Klemme ALARMS
O1-C1 e O2-C2	Potentialfreie Ausgangskontakte, die durch Alarm oder Benutzerbefehl ansprechbar sind

Tab. 4

**i** Den Dämmerungsschalter an die Klemmen ALARMS und AL1 anschließen. Der Kontakt des Alarms AL1 ist standardmäßig auf die Dämmerungsschalter ausgerichtet.

## 7.5 Anschluss des Ethernet-Kabels

Das Ethernetkabel mit dem entsprechenden Steckanschluss verbinden. (Ethernet, 7.3 Beschreibung der Karte Anschlüsse, Seite 13).

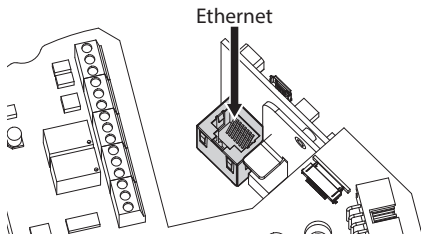


Abb. 20

## 7.6 Befestigung des oberen Körpers

Den oberen Körper (01) mit den Spannschrauben (03) und Dichtungen (04) an der Basis (02) befestigen. Prüfen Sie, ob die Dichtung (05) der Basis vorhanden und in einwandfreiem Zustand ist.

**!** Auf die Befestigung achten.  
Anzugsdrehmoment: 4Nm.

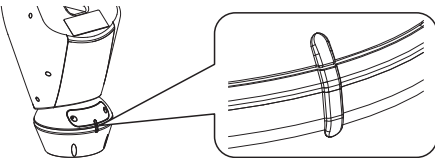
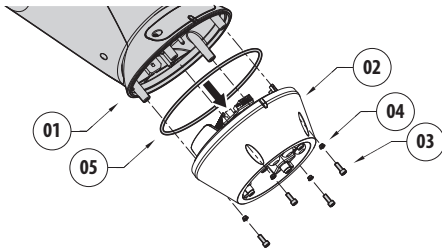


Abb. 21

**i** Es gibt nur eine Verankerungsposition zwischen der Basis und dem oberen Körper. Die Seitenvorsprünge für eine korrekte Positionierung ausrichten.

## 7.7 Aufbau der Gegengewichte

Die Gegengewichte mit den Schrauben und den Unterlegscheiben aus dem Lieferumfang am Gehäuse befestigen.

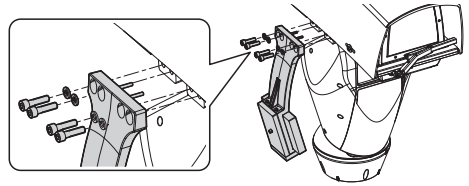


Abb. 22

**!** Auf das Loch der Schrauben ein Gewindesicherungsmittel auftragen (Loctite 243®).

**!** Auf die Befestigung achten.  
Anzugsdrehmoment: 16Nm.



## 7.8 Montage der Scheinwerfer mit LED

**!** Aus funktionstechnischen Gründen müssen stets beide Scheinwerfer zusammen montiert werden.

**i** Am Schwenk-Neige-Kopf dürfen nur Scheinwerfer von VIDEOTEC installiert werden.

### 7.8.1 Entfernen der Gegengewichte.

Die Schrauben lösen und die externen Gegengewichte entfernen.

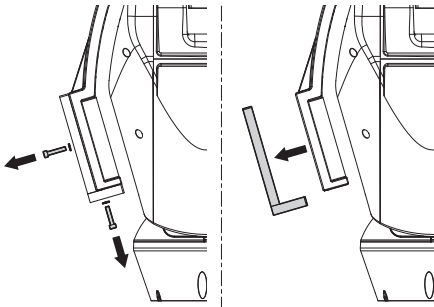


Abb. 23

### 7.8.2 Montage des Scheinwerfers auf den Bügel

Die vorderen Bohrungen am Bügel des Gegengewichtes bestimmen.

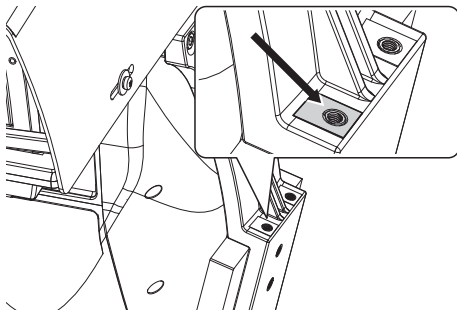


Abb. 24

Befestigungen des Scheinwerfers (01) an denen des Bügels (02) anbringen.

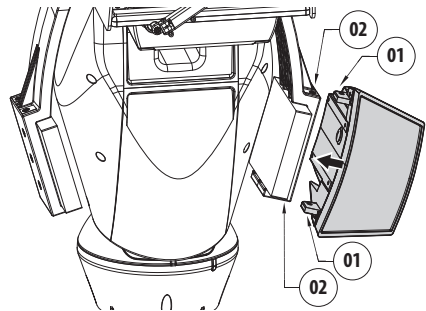


Abb. 25

Die zuvor demontierten Schrauben und Unterlegescheiben wieder festziehen.

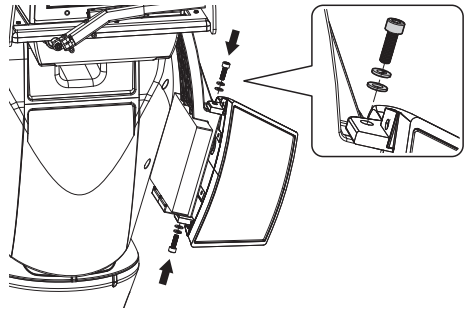


Abb. 26

**!** Auf die Befestigung achten.  
Anzugsdrehmoment: 6Nm.

## 7.9 Anschluss der LED-Scheinwerfer

Die Versorgungskabel um mindestens 25 cm durch die Kabelschellen stecken. Die Kabelverschraubungen festziehen.

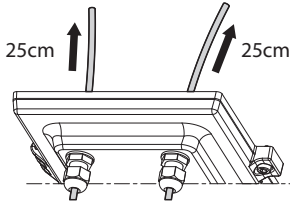


Abb. 27



**Damit die Sicherheit und die gute Funktion der Einheit nicht beeinträchtigt wird, keinen Kabelüberschuss lassen.**

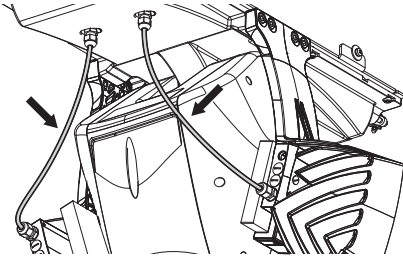


Abb. 28

Die Kabel so anschließen, wie in der Abbildung gezeigt.

Die linke Beleuchtung (MASTER) soll mit dem J15-Stecker verbunden sein. Die rechte Beleuchtung (SLAVE) soll mit dem J9-Stecker verbunden sein.

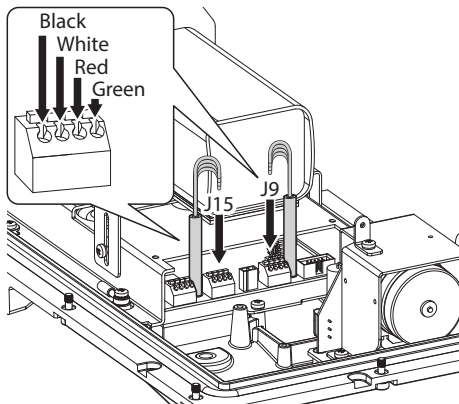


Abb. 29

## 7.10 Einstellung und Aktivierungsarten der LED-Scheinwerfer

Nach der Regelung synchronisiert und steuert der linke Scheinwerfer (MASTER) den rechten Scheinwerfer (SLAVE).

Der Dämmerungsschalter ermittelt das Licht in der Umgebung und kontrolliert das Ein- und Ausschalten der Scheinwerfer, wenn die Helligkeit das vom Benutzer eingestellte Niveau erreicht hat.

Wenn die LED-Scheinwerfer aktiviert sind, geht die Videokamera mit der entsprechenden Steuerung ONVIF in Nacht-Modus über.

### 7.10.1 Beschreibung des LED-Scheinwerfers



**Um die Sicherheit und die Funktion des Beleuchters nicht zu beeinträchtigen, soll der durchsichtige Schrauben des Dämmerungssensors nicht entfernt werden.**

- **Dämmerungssensor:** Erfasst den Helligkeitsgrad.
- **Kabel:** Versorgung und Steuerung.
- **Regler der Einschaltung-Grenze:** Das Potenziometer regelt den Empfindlichkeitsgrad für die Einschaltung des Scheinwerfers.
- **Regler der Infrarot- Stärke:** Das Potenziometer regelt die Leistung des Scheinwerfers.

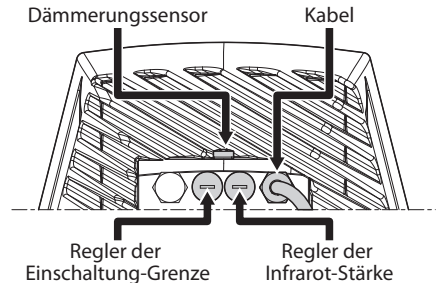


Abb. 30

## 7.10.2 Einstellung der Einschaltsschwelle der LED-Scheinwerfer.

**!** Der rechte Scheinwerfer muss immer auf die maximale Helligkeit eingestellt sein.

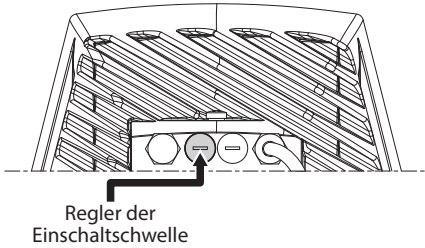


Abb. 31

Der Scheinwerfer besitzt einen integrierten Dämmerungssensor, der eine automatische Ein- und Ausschaltung unter vorher festgelegten Lichtverhältnissen ermöglicht.

Der Dämmerungssensor wird werkseitig auf eine festgelegte Lichtstärke eingestellt, welche für den Großteil der Installationen geeignet ist (etwa 50lx). Zum Ändern der Einsatzgrenze den an der Rückseite des Scheinwerfers angebrachte Deckel entfernen und die Einstellung vornehmen mittels Schraubenzieher.

Durch Drehen des Trimmers im Uhrzeigersinn im Nachtmodus, wird die Umschaltung vorgezogen (auf einen höheren Helligkeitswert). Durch Drehen des Trimmers gegen den Uhrzeigersinn wird die Umschaltung im Nachtmodus verzögert (auf einen niedrigeren Helligkeitswert).

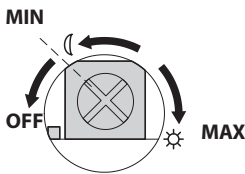


Abb. 32

Die geeigneten Lichtverhältnisse für das Einschalten des Scheinwerfers abwarten. Den Trimmer langsam drehen, bis sich die LED an der Trimmerseite einschaltet. Nachdem die Eingriffsschwelle überschritten wurde (LED eingeschaltet), etwas in die entgegengesetzte Richtung drehen.

**!** Nach den Einstellungen prüfen, dass der Verschlussdeckel angemessen angezogen ist, um die hermetische Dichtheit des Produkts zu garantieren.

## 7.10.3 Einstellung der Leistung der LED-Scheinwerfer

**!** Der rechte Scheinwerfer muss immer auf die minimale Leistung eingestellt sein.

Der Scheinwerfer wird im Werk zur Erbringung maximaler Leistung eingestellt. Falls es nicht nötig sein sollte, entfernte Objekte zu beleuchten oder wenn das Bild wegen zu hoher Lichtintensität zu stark angestrahlt ist, die Leistung regulieren, sie zu verringern und Energie zu sparen.

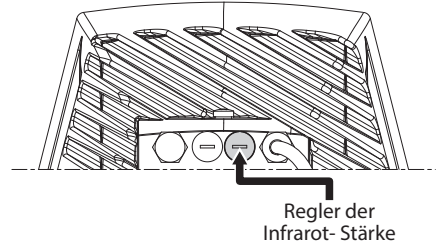


Abb. 33

Die hermetische Verschlusskappe abdrehen. Den Trimmer in Uhrzeigersinn drehen, um die Leistung der Infrarot-Scheinwerfer zu erhöhen in in Gegenuhrzeigersinn, um die Leistung zu senken.

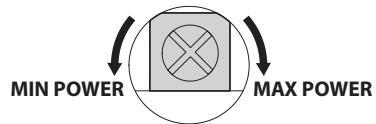


Abb. 34

**!** Nach den Einstellungen prüfen, dass der Verschlussdeckel angemessen angezogen ist, um die hermetische Dichtheit des Produkts zu garantieren.

## 7.11 Befestigung des Wischerblattes

Das Wischerblatt auf die Welle des Scheibenwischers setzen.

Das Wischerblatt in Ruhestellung bringen.

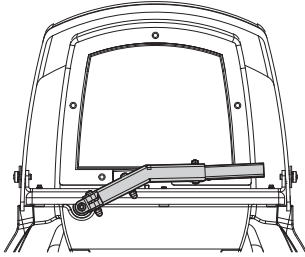


Abb. 35

Alles zusammen mit der Unterlegscheibe und der Mutter befestigen.

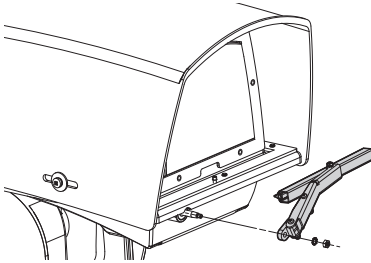


Abb. 36

**i** Das Wischerblatt ist dann richtig eingestellt, wenn das Blatt in die Ruhestellung zurückkehren kann und dabei an der Korpusplatte anschlägt.

## 8 Einschaltung



Sich vergewissern, dass die Einheit und die anderen Komponenten der Anlage in geeigneter Weise geschlossen sind, um den Kontakt mit den spannungsführenden Teilen zu verhindern.



Im normalen Betrieb kann der Scheinwerfer an der Oberfläche Hohe Temperaturen erreichen. Vermeiden Sie die direkte Berührung und positionieren Sie das Gerät an einem Ort, der für Unbefugte unzugänglich ist. Bevor man sie berührt, muss deshalb die Ausleuchtungseinrichtung abgeschaltet werden und mindestens 10 Minuten lang abkühlen.



Nicht die Nähe der Einrichtung aufsuchen, wenn sie mit Strom gespeist ist. Nur bei abgeschalteter Stromversorgung auf die Vorrichtung einwirken.



Vergewissern Sie sich, dass alle Teile fest und zuverlässig befestigt sind.

Für das Einschalten der Einheit die elektrische Versorgung anzulegen.

Die elektrische Versorgung abtrennen, um die Einheit abzuschalten.

# 9 Konfiguration

## 9.1 Web-Schnittstelle

**i** Die Einheit ist konfiguriert, um eine IP-Adresse von einem DHCP-Server zu erhalten.

**i** Unterstützte Browser (der letzten Version): Microsoft Edge, Google Chrome™, Mozilla Firefox.

**i** Die MAC Address wird auf dem Etikett an der CPU-Karte angegeben.

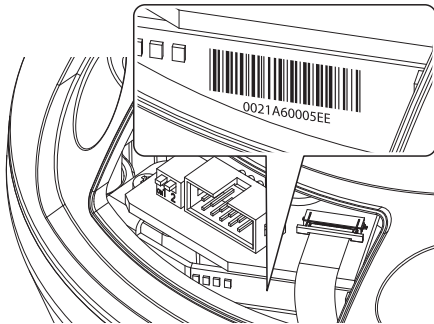


Abb. 37

Der erste Schritt zur Konfiguration der Einrichtung ist die Verbindung mit seiner Web-Schnittstelle.

Die über DHCP erhaltene IP-Adresse ist in der Logdatei des DHCP-Servers sichtbar.

Sollte der DHCP nicht verfügbar sein, dann nimmt die Einheit die Konfiguration automatisch mit einer selbst generierten IP-Adresse im Subnetz 169.254.x.x/16 vor. Die IP-Adresse des PC als zum selben Subnetz gehörend konfigurieren (Beispiel: IP-Adresse: 169.254.1.1, subnet mask: 255.255.0.0).

Zur erneuten Suche der IP-Adresse des Geräts ein mit ONVIF oder einem Netzwerk-Sniffer kompatibles VMS verwenden (IP scan utility).

Die Web-Schnittstelle des S-N-Kopfes kann man zugreifen, indem man mit einem Browser die Adresse [http://IP\\_Adresse](http://IP_Adresse) aufruft und sich mit folgenden voreingestellten Zugangsdaten einloggt:

- **Username:** admin
- **Kennwort:** admin

### 9.1.1 Home Seite

Wenn der Login erfolgreich abgeschlossen wurde, wird die Steuer-Schnittstelle des Produktes angezeigt.



Abb. 38

## 9.1.2 Benutzersteuerung Seite

Um die Einrichtung via Browser zu steuern, wählen Sie den Eintrag Benutzersteuerung. Es öffnet sich ein neues Fenster mit einer virtuellen Tastatur zum Absenden von Befehlen.

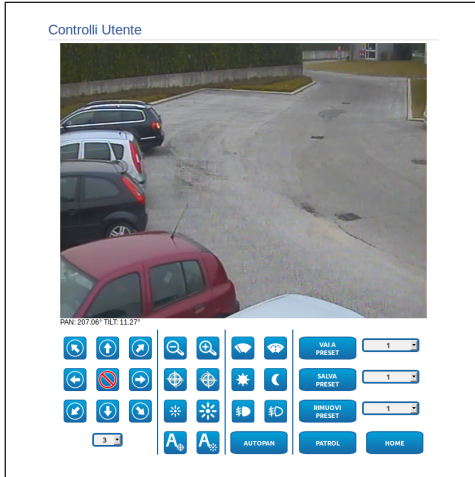


Abb. 39

Auf der virtuellen Tastatur befinden sich die folgenden Steuerungen:

- **Wahlschalter Geschwindigkeit:** Ermöglicht die Auswahl der Geschwindigkeit der Bewegungen des Schenk-Neigekopfes.



Abb. 40

- **Zoom Wide/Zoom Tele**



Abb. 41

- **Focus near/Focus far/Autofocus**



Abb. 42

- **Iris close/Iris open/Auto iris**



Abb. 43

- **Wiper/Washer**



Abb. 44

- **Day:** Aktivierung Filter IR der Kamera. Falls vorhanden, werden die LED- Scheinwerfer ausgeschaltet.



Abb. 45

- **Night:** Deaktivierung des Filters IR der Kamera. Falls vorhanden, werden die LED-Scheinwerfer eingeschaltet.



Abb. 46

- **Visible Cut Filter On:** Aktiviert den Visible Cut Filter (bei den Versionen, die damit ausgestattet sind). Dieser Filter ermöglicht klare Bilder (schwarz weiß) mit leichtem Nebel oder bei Gegenlicht-Bildausschnitten.



Abb. 47

- **Visible Cut Filter Off:** Deaktiviert den Visible Cut Filter (bei den Versionen, die damit ausgestattet sind).



Abb. 48

- **Autopan:** Betätigt die zyklische Positionierung zwischen 2 Schwenk-, Neige- und Zoompresets.



Abb. 49

- **Gehen zu Preset/Preset Speichern/Preset Löschen**



Abb. 50

- **Patrol:** Betätigt die Funktion automatischer Wächterrundgang, die die Schwenk-, Neige- und Zoompresets sequenziell oder zufallsmäßig wiederholt.



Abb. 51

- **Zur Startseite**



Abb. 52

### 9.1.3 Geräteparameter Seite

Im Menü-Eintrag Geräteparameter können der Name der Einrichtung eingestellt und andere Zusatzinformationen angezeigt werden.

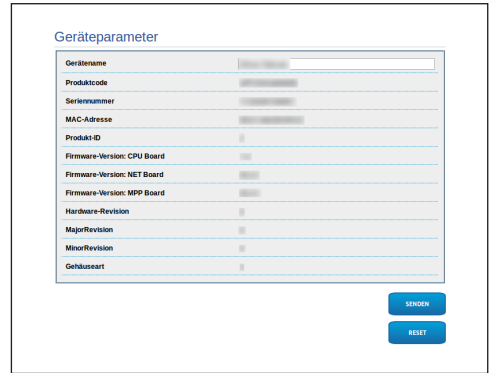


Abb. 53

## 9.1.4 Gerätestatistiken Seite

Beim Menüpunkt Gerätestatistiken werden nur zur Information alle während des Betriebs des Gerätes gesammelten Statistiken wiedergegeben.

Statistiche Dispositivo	
Gradi Pan	3364
Gradi TR	1442
Accessioni	133
Ore di lavoro	26
Temperatura massima custodia (°C)	40
Temperatura minima custodia (°C)	65454
Temperatura massima scheda PMM (°C)	50
Temperatura minima scheda PMM (°C)	22
Temperatura massima scheda CPU (°C)	43
Temperatura minima scheda CPU (°C)	20
Temperatura massima scheda NET (°C)	39
Temperatura minima scheda NET (°C)	19
Periodo accensione fail IR	0

Abb. 54

## 9.1.5 Netzwerk-Konfiguration Seite

Im Menü-Eintrag Netzwerk kann die Netzwerk-Einstellung des Schwenk-Neige-Kopfes geändert werden. Es kann eingestellt werden, ob das Gerät eine statisch oder dynamisch mit DHCP zugewiesene oder eine selbstgenerierte Adresse haben muss. Das Gerät unterstützt das Internet Protocol (IP) in Version 4.

**i** Bei selbstgenerierter Adresse wird sich das Gerät eine Adresse im Range 169.254.0.0/16 selbst geben.

Auf derselben Seite können außerdem 2 DNS konfiguriert und eingestellt werden, welche Mechanismen aktiv sein müssen, um die Geräte im lokalen Netzwerk automatisch zu identifizieren.

Netzwerk-Konfiguration	
IP-Version	IPv4
Adresstyp	STATISCH
IP-Adresse (IPv4)	192.168.103.121
Subnet Mask (IPv4)	255.255.255.0
Gateway (IPv4)	192.168.103.1
Automatische DNS-Suche	DEAKTIVIERT
Primärer DNS-Server	8.8.4.4
Alternativer DNS-Server	8.8.8.8
Date & Time	2013-05-27 14:42:37 UTC
NTP-Server	DEAKTIVIERT
PC Sync	AKTIV
UPNP	AKTIV
Zeroconf	AKTIV
Multicast Discovery	AKTIV
WS Discovery	AKTIV

Abb. 55



**NTP-Server:** Außerdem kann angegeben werden, ob das Gerät sich mit einem externen NTP (Network Time Protocol) Server synchronisieren muss.

- **DEAKTIVIERT:** Stellen Sie diese Option ein, wenn Datum und Uhrzeit des Geräts nicht synchronisiert werden sollen.
- **DHCP:** Stellen Sie diese Option ein, wenn Datum und Uhrzeit des Geräts mit einem durch den DHCP-Server angegebenen NTP-Server (Network Time Protocol) synchronisiert werden sollen.
- **STATISCH:** Diese Option auswählen, wenn Datum und Uhrzeit des Geräts mit denen des bei der statischen Adresse spezifizierten NTP-Servers synchronisiert werden sollen.

**i** **Damit das Gerät korrekt funktioniert, muss es über einen NTP-Server mit der VMS-Software synchronisiert werden.**

## 9.1.6 Benutzer-Konfiguration Seite

Im Menü-Eintrag Benutzer-Konfiguration können die Benutzer verwaltet werden, die Zugriff auf die Einrichtung haben. Die Nutzer „Administrator“ können auf die gesamte Konfiguration des Geräts zugreifen. Die Benutzer Typ Operator, User und Anonymous haben begrenzten Zugriff auf die Verwaltungsseiten.



Abb. 56

**i** **Das Gerät kann nur von Anwendern mit Administratorrechten konfiguriert werden.**

## 9.1.7 Bewegungsparameter Seite

Im Menü-Eintrag Bewegungsparameter können via Internet alle Parameter des Schwenk-Neige-Kopfes kontrolliert werden.

- **Offset Pan:** Der Schwenk-Neige-Kopf hat eine Position von 0°, die mechanisch definiert ist. Die Funktion Offset Pan ermöglicht es, auf Softwareebene eine andere Position als 0° festzulegen.
- **Höchstgeschwindigkeit:** Hier kann die Höchstgeschwindigkeit bei manueller Steuerung vorgegeben werden.
- **Geschwindigkeit mit Zoom:** Bei Aktivierung dieses Parameters wird die Geschwindigkeit für Pan und Tilt automatisch in Abhängigkeit vom Zoomfaktor reduziert.
- **Tilt-Faktor:** Reduzierfaktor für die manuelle Geschwindigkeit der Tiltachse.
- **Grenzkpunkte Pan:** Aktiviert die Grenzkpunkte für die Funktion Pan (Kameraschwenk).
- **Beginn Pan:** Vorgabe der Grenzposition zu Beginn des Kameraschwenks (Pan).
- **Ende Pan:** Vorgabe der Grenzposition am Ende des Kameraschwenks (Pan).
- **Beginn Tilt:** Vorgabe der Grenzposition zu Beginn der Kameraneigung (Tilt)
- **Ende Tilt:** Vorgabe der Grenzposition am Ende der Kameraneigung (Tilt).

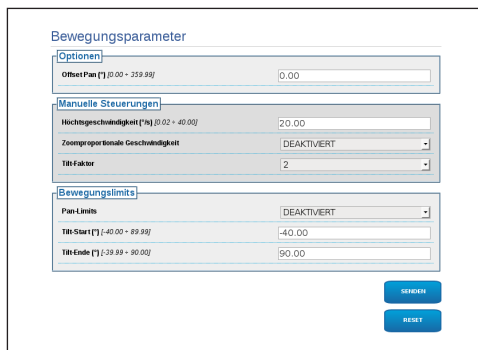


Abb. 57

### 9.1.7.1 Autopan Seite

Im Menü-Eintrag Autopan können die Presets für Beginn und Ende des Autopan angegeben werden.

Abb. 58

### 9.1.7.2 Patrol Seite

Im Menü-Eintrag Patrol können die Presets für Beginn und Ende des Patrol angegeben werden. Außerdem kann angegeben werden, ob die Abtastung der Presets in kausaler Weise oder nicht erfolgen soll.

Abb. 59

### 9.1.7.3 Bewegungsanforderung Seite

Im Menü-Eintrag Aufruf Bewegungen kann eine Inaktivitätsdauer angegeben werden, nach der der Schwenk-Neige-Kopf eine der folgenden Funktionen ausführt: Rückkehr in die Home-Position, Start des Autopan oder Start des Patrol.

Abb. 60

### 9.1.8 Preset-Parameter Seite

Im Menü-Eintrag Preset-Parameter sind einige Parameter der Presets konfigurierbar:

- **Scan Geschwindigkeit:** Geschwindigkeit in Grad pro Sekunde, mit der ein Preset auf ausdrückliche Aufforderung des Bedieners erreicht wird.
- **Rampentyp:** Erlaubt die Wahl der Beschleunigungen des Schwenk-Neige-Kopfes.
- **Bewegungsgeschwindigkeit Default:** Die bei den Funktionen Autopan und Patrol benutzten Geschwindigkeiten.
- **Default-Geschwindigkeit Vorgeben:** Die Default-Geschwindigkeit wird auch als Abtastgeschwindigkeit für alle Presets eingestellt.
- **Standardpause:** Default-Verweilzeit in jedem Preset in Sekunden.
- **Default-Pause Vorgeben:** Die Default-Pause wird für alle Presets eingestellt.

Abb. 61

### 9.1.9 Preset-Parameter Seite (Fortgeschritten)

Im Abschnitt Preset-Parameter (Erweitert) können die Werte für Geschwindigkeit und Pause für jeden Preset individuell angepasst, sowie die Presets selbst aktiviert/deaktiviert werden.

Abb. 62

## 9.1.10 Digitale I/O Seite

Im Menü-Eintrag Digitale I/O können die digitalen Kanäle der Einrichtung konfiguriert werden. Es folgt eine kurze Beschreibung der konfigurierbaren Parameter für jeden Digitaleingang.

- **ID Alarm:** Verwendetes Feld für die Auswahl des gewünschten Digitaleingangs
- **Art:** Zeigt den Standard-Status des Digitaleingangs an.
- **Aktion:** Jedem Eingang kann eine Aufnahme zugeordnet werden. Die Aufnahme wird in dem Moment aktiviert, in dem der Kontakt in einen anderen als den Standard-Status übergeht. Es folgt eine Liste der verfügbaren Aufnahmen:
  - **NONE:** Keine Aufnahme.
  - **SCAN:** Positionierung des Schwenk-Neige-Kopfes am ausgewählten Preset.
  - **PATROL:** Aktivierung PATROL.
  - **AUTOPAN:** Aktivierung AUTOPAN.
  - **WIPER:** Aktivierung Wiper.
  - **WASHER:** Aktivierung Waschsequenz Glas
  - **RELAIS 1:** Aktivierung Relais 1.
  - **RELAIS 2:** Aktivierung Relais 2.
  - **IR FILT:** Deaktivierung des Filters IR der Kamera. Falls vorhanden, werden die LED-Scheinwerfer eingeschaltet.

Zur Kontrolle des einwandfreien Betriebs der Alarme erscheint auf der Web-Seite ein Punkt, der im Normalzustand grün ist, und rot, wenn ein Alarm erkannt wird. Der Punkt ist grün im Normalzustand und rot wenn ein Alarm erkannt wird.

Digitale I/O

●

Alarm-ID	1
Typ	NORMALERWEISE GEOFFNET
Aktion	NONE

SENDEN RÜCKSETZ

Abb. 63

## 9.1.11 Washer Seite

Beim Menüpunkt Waschanlage kann der Betrieb der Waschanlage des Geräts konfiguriert werden.

Washer

Preset-Diese (1 - 250)	1
Verzögerung Scheibenwischer-Aktivierung (0 - 240)	5
Waschdauer (0 - 240)	5
Verzögerung Scheibenwischer-Deaktivierung (0 - 240)	5

SENDEN RÜCKSETZ

Abb. 64

## 9.1.12 Kamera-Parameter Seite



Durch die Änderung der Daten im Abschnitt „Protokoll und Authentifizierung“ könnte der Zugriff auf die Kamera nicht mehr möglich sein. Die Daten der Werkseinstellung ermöglichen den korrekten Zugriff auf das System.



Es wird empfohlen die Daten im Abschnitt „Eigenschaften der Linsen“ nicht zu ändern, um den korrekten Betrieb des Systems nicht zu beeinträchtigen. Das einzige nützliche Feld für den Endbenutzer ist "Auto-fokus".

In diesem Abschnitt können auch die Daten der unterschiedlichen von der Kamera exportierten Profile ONVIF visualisiert werden.

### Kameraeinstellungen

#### Protokoll und Authentifizierung

Protokoll	ONVIF PROFILE S
Benutzername	service
Password	*****
Password wieder eingeben	*****

#### Streaming-Profil

Profil-ID	0
Profil	media_profile1
Codec	H.264
Auflösung	1920 x 1080
Frame Rate Limit	30 fps
Bitrate Limit	8000 kbps
GOP	30 frames
Zoom aktiviert	Nein

#### Eigenschaften der Linsen

Linsen	MOTORISIERT
Vergrößerungsfaktor [1 * 50]	1
Einstellungsbereich der Linsen [0 * 250]	20
Motortyp	POLARITÄTSUMKEHR
Drehungspolarität des Zoom	POSITIV
Drehungspolarität des Fokuses	POSITIV
Drehungspolarität des Iris	POSITIV
IR-Sonde	EXTERN
Auto-fokus	NUR MANUELLE AUSLÖSUNG

Abb. 65

Zum Ändern der Kameraeinstellungen den Knopf VTTUNNEL oder einfach den Kameraknopf im Werkzeugmenü auswählen (9.1.13 Werkzeuge Seite, Seite 28).

## 9.1.13 Werkzeuge Seite



Bei einer Rückstellung wird die PTZ-Einheit wieder auf die Werkseinstellungen zurückgesetzt. Um auf das System zugreifen zu können, den Angaben des entsprechenden Kapitels folgen (9.1 Web-Schnittstelle, Seite 21).

Im Menü-Eintrag Werkzeuge können die gesamte Konfiguration der Einrichtung oder nur bestimmte Abschnitte auf die vordefinierten Werte zurückgesetzt werden.

Außerdem kann in diesem Abschnitt:

- Die Firmware der Vorrichtung aktualisieren.
- Die Einrichtung wieder neu starten.
- Die Anwendung VTTunnel herunterladen, um die Verbindung mit der IP-Kamera zu aktivieren, unbedingt nötig, um auf ihre Web-Seite zuzugreifen. (9.2 VTTunnel, Seite 30).
- Zugang zu den Webseiten der Kamera (9.3 Kamera, Seite 30).

### Werkzeuge

<input type="button" value="RESET PROFILES"/>	Zurück auf Werkseinstellungen.
<input type="button" value="RESET PARAMETER"/>	Setzt alle Bewegungsparameter, Digitale IO Einstellungen und Washer Einstellungen auf Werkseinstellungen zurück.
<input type="button" value="RESET FILTERS"/>	Setzt alle Authentifizierungseinstellungen auf Werkseinstellung zurück.
<input type="button" value="RESET NETWORK"/>	Setzt alle Netzwerkeinstellungen auf Werkseinstellung zurück.
<input type="button" value="RESET ALLES"/>	Setzt alle Einstellungen auf Werkseinstellung zurück.
<input type="button" value="UPDATE FIRMWARE"/>	Aktualisierung Gerätefirmware. <input type="button" value="Browse..."/> No file selected.
<input type="button" value="RESTART GEAR"/>	Neustart des Geräts.
<input type="button" value="VTTUNNEL"/>	Download und Ausführung VTTunnel, um die Kamera direkt über den Browser zu erreichen.
<input type="button" value="KAMERA"/>	Zugriff auf die Kamera-Webseiten

Abb. 66

## 9.1.14 Factory Default

**! Wenn das Passwort für den Zugriff auf den Schwenk-Neige-Kopf nicht mehr verfügbar ist, können die Werkseinstellungen über die sich im Produkt befindliche Reset-Taste wiederhergestellt werden.**

**! Für die Suche und die Identifizierung des Schwenk-Neige-Kopfs die Angaben im entsprechenden Kapitel befolgen (9.1 Web-Schnittstelle, Seite 21). In diesem Fall sind die Zugangsdaten für das System jedoch die der Kamera und nicht die des Schwenk-Neige-Kopfs. Sollte es sich um die Standardzugangsdaten der Kamera (von Videotec vorgegeben) handeln, sind es folgende:**

**Login: service**

**Password: Videotec2020-**

Für den Reset der werkseitigen Einstellungen bezüglich Netz, Benutzerzugriff und Konfiguration der Kamera folgende Prozedur ausführen:

- Die Einheit mit Strom versorgen.
- Die Tür der Dipschalter öffnen.
- Lokalisierung des DIP-Schalters 4 (01). Den Schalter 1 wieder nach unten stellen, Wert 1 (ON).
- Das vorläufige Ausschalten der LED abwarten (02).
- Den Schalter 1 wieder nach oben stellen, Wert 0 (OFF).
- Die kleine Klappe der Steckverbinder schließen.
- Für die Adressuche die Angaben aus Abschnitt 9.1 befolgen (9.1 Web-Schnittstelle, Seite 21).

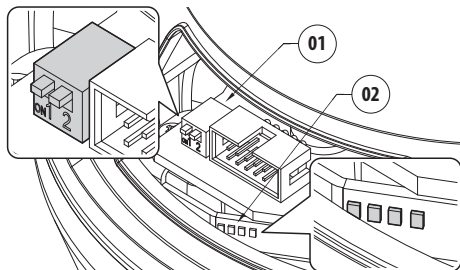


Abb. 67

Erforderliche Parameter:

- Das verwendete IP-Protokoll für die Kommunikation mit der Kamera (ONVIF PROFILE S).
- Der installierte Linsentyp (MOTORISIERT).
- Die notwendigen Zugangsdaten, um sich mit der IP-Kamera zu verbinden ( Nutzername: „service“, Passwort: „Videotec2020-“).
- Die Einrichtung wieder neu starten.
- Wenn die Einstellung noch bei dem DHCP eingestellt ist, könnte das Produkt die Adresse geändert haben.

Abb. 68

## 9.2 VTTunnel

**i** Die Anwendung funktioniert nur mit Java™. Wenn Java™ nicht zuvor installiert wurde, die letzte Version von der Website [www.java.com](http://www.java.com) herunterladen.

**i** Die Anwendung kann nur mit der ersten aktiven Netzwerk-Schnittstelle in Verbindung treten. Am Schwenk-Neige-Kopf nur das Netzkabel angeschlossen lassen.

**i** Die Ausführung der Anwendung erfordert die Administratorrechte des Computers. Auf dem Monitor könnte die Meldung "You have to execute javaw as administrator" angezeigt werden. In diesem Fall müssen die Ausführungseigenschaften der Datei `javaw.exe` im Java-Installationsordner verändert werden.

Um die IP-Kamera anzuschließen, müssen Sie das VTTunnel- Programm verwenden, aus dem Menü Werkzeuge bootfähig.

Beim Start des Programmes wird eine Liste von vernetzten Geräten angezeigt. Für den Anschluss an die Kamera muss der gewünschte Schwenk-Neige-Kopf ausgewählt werden und die Taste Connect gedrückt werden.

Sobald die Verbindung hergestellt ist, kann die Webseite der IP-Kamera an 192.0.0.64 erreicht werden.

Wenn die Operationen an der Kamera zu Ende sind, kann man die Verbindung durch Klicken auf die Disconnect- Taste schließen. Es ist möglich, je eine Kamera zu verbinden, so müssen Sie aus dem S-N-Kopf trennen, bevor man auf einer anderen Positioniereinheit arbeiten kann.

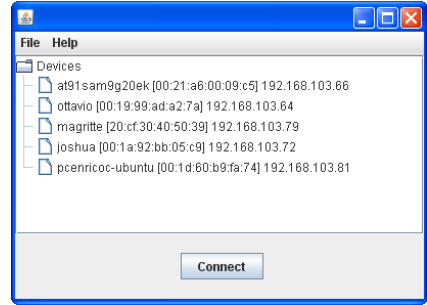


Abb. 69

**i** Falls bei der Konfiguration der Videokamera die Videostreaming-Parameter geändert werden, ist es erforderlich die Schwenkung wieder zu aktivieren.

## 9.3 Kamera

**i** Für detaillierte Informationen auf das Handbuch der Kamera, das im Internet heruntergeladen werden kann, Bezug nehmen.

**i** Um auf das Menü der Kamera zuzugreifen, darf der Schwenk-Neige-Kopf keine automatisch erzeugte Adresse oder DHCP haben.

Auf die Webseite der Kamera zugreifen.

Die Standarddaten für den Zugriff auf die Kamera:

- Login: "service"
- Passwort: "Videotec2020-"

# 10 Zubehör



Für weitere Details zur Konfiguration und zum Gebrauch beachten Sie bitte das Handbuch des entsprechenden Geräts.

## 10.1 Waschanlage

Das Produkt kann mit einer externen Pumpe ausgestattet werden, die Wasser für die Reinigung des Glases liefert.

Wird der Befehl abgesendet, positioniert sich der Schwenk-Neige-Kopf mit dem Fenster vor der Düse. (9.1.2 Benutzersteuerung Seite, Seite 22). Es werden nun für eine bestimmte Zeit die Pumpe und der Scheibenwischer aktiviert. Am Ende des Vorgangs kehrt der S-N-Kopf in die Ausgangsposition zurück.

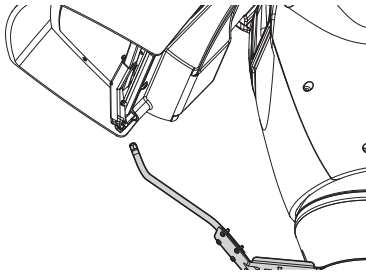


Abb. 70

### 10.1.1 Anschluss der Waschanlage.



**ACHTUNG!** Die Anlage gehört zum Typ TNV-1. Nicht an Kreisläufe SELV anschließen.



**ACHTUNG!** Zur Senkung der Brandgefahr dürfen nur UL Listed oder CSA zertifizierte Kabel benutzt werden, die mindestens dem Querschnitt 0.14mm<sup>2</sup> (26AWG) entsprechen.



**Alle Signalkabel mit einem Kabelbinder müssen zusammengefasst werden.**

ANSCHLUSS DER WASCHANLAGE.	
Klemmen	Beschreibung
O1-C1	Potentialfreier Kontakt für die Aktivierung der Waschanlage.

Tab. 5

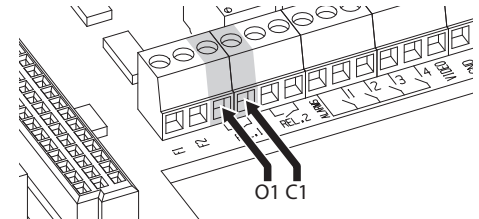


Abb. 71

## 10.2 Wandhalterung

Wandhalterung mit interner Kabelführung.

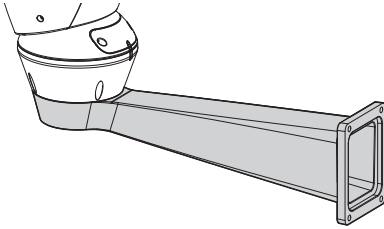


Abb. 72

## 10.3 Halterung für Brüstungsmontage

Brüstungshalterung mit interner Kabelführung.

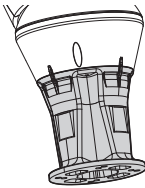


Abb. 73

## 10.4 Netzteil mit Steuerung der Scheinwerfer

Dichtes Gehäuse mit Netzteil und Kontrolle der Scheinwerfer.

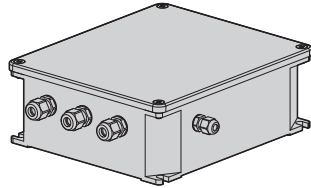


Abb. 74 Standardversion des Gehäuses.

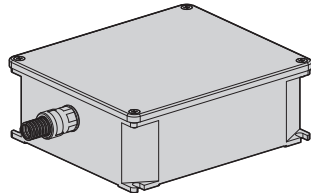


Abb. 75 UL-zertifizierte Version des Gehäuses.



**Für weitere Infos bitte entsprechendes Kapitel beachten (7.4.3 Anschluss der Alarmeingänge, der Dämmerungsschalter und der Relais, Seite 15).**



# 11 Wartung



**ACHTUNG!** Die Installation und Wartung der Vorrichtung ist technischen Fachleuten vorbehalten.



Die Wartung darf nur von Fachleuten vorgenommen werden, die befähigt sind, an elektrischen Schaltkreisen tätig zu werden.

## 11.1 Wechsel der Sicherungen



**Wartung nur durchführen, wenn die Stromversorgung abgetrennt und die Trennvorrichtung offen ist.**

Falls notwendig die abgebildete Sicherung austauschen (7.3 Beschreibung der Karte Anschlüsse, Seite 13).

WECHSEL DER SICHERUNGEN		
Spannung	Schmelz-sicherung F1	Schmelz-sicherung F2
24Vac, 50/60Hz	F 6.3A H 250V 5x20	T 8A H 250V 5x20
120Vac, 50/60Hz	F 6.3A H 250V 5x20	T 4A H 250V 5x20
230Vac, 50/60Hz	F 6.3A H 250V 5x20	T 2A H 250V 5x20

Tab. 6

# 12 Reinigung

## 12.1 Reinigung des Fensters und der Kunststoffteile



**Zu vermeiden sind Äthylalkohol, Lösungsmittel, hydrierte Kohlenwasserstoffe, starke Säuren und alkalische Lösungen. Diese Produkte können die behandelte Oberfläche beschädigen.**

Es wird empfohlen, ein weiches Tuch und neutrale mit Wasser verdünnte Seife oder ein spezifisches Reinigungsmittel für Brillengläser zu verwenden.

## 13 Informationen bezüglich Entsorgung und Recycling

DE - Deutsch - Bedienungsanleitung  
Die EU-Richtlinie 2012/19/EU über Elektro- und Elektronik-Altgeräte (WEEE) verpflichtet, dass diese Geräte nicht zusammenn mit festen Haushaltsabfällen entsorgt werden sollten. Diese besonderen Abfällen müssen separat gesammelt werden, um den Rückgewinnungsstrom und das Recycling der darin enthaltenen Materialien zu optimieren, sowie zur Minderung der Einwirkung auf die menschliche Gesundheit und Umwelt aufgrund des Vorhandenseins von potentiell gefährlichen Stoffen.



**Das Symbol des gekreuzten Müllbehälters ist auf allen Produkten markiert, um sich daran zu erinnern.**

Die Abfälle dürfen an die ausgewiesenen Müllsammelstellen gebracht werden. Andernfalls darf man es kostenlos an den Vertragshändler bringen, bei dem das Gerät gekauft wurde. Das kann beim Einkauf von neuen gleichartigen Produkten passieren oder auch ohne Verpflichtung eines Neukaufes, falls die Größe des Gerätes kleiner als 25 cm ist.

Mehr Informationen über die korrekte Entsorgung dieser Geräte erhalten Sie bei der entsprechenden Behörde.

## 14 Problemlösung



**Kontaktieren Sie bitte das autorisierte Kundenzentrum bei jedem nicht beschriebenen Problem oder falls das aufgelistete Problem weiterhin bestehen sollte.**

---

<b>PROBLEM</b>	<b>Das Produkt lässt sich nicht einschalten.</b>
URSACHE	Falsche Verkabelung, Schmelzsicherungen durchgebrannt.
LÖSUNG	Anschlüsse prüfen. Die Kontinuität der Sicherungen überprüfen und im Falle eines Defektes müssen sie durch die aufgeführten Modelle ersetzt werden.

---

<b>PROBLEM</b>	<b>Beim Einschalten bleibt die S-N-Kopf blockiert.</b>
URSACHE	Die Umgebungs-temperatur ist sehr niedrig.
LÖSUNG	Ende des Vorheizvorgangs abwarten.

---

<b>PROBLEM</b>	<b>Die Kamera nimmt die Fokussierung nicht korrekt vor</b>
URSACHE	Die Kamera hat die Einstellungen verloren
LÖSUNG	Den Kundendienst für den Backfokus mit Assistenten kontaktieren.

---

<b>PROBLEM</b>	<b>Bei niedrigen Temperaturen ist das Videostreaming nicht erreichbar, viele Menüpunkte sind deaktiviert.</b>
URSACHE	Das System befindet sich noch in der Enteisungsphase (normale Dauer 1-2 Stunden)
LÖSUNG	Auf den Knopf NEUSTART vom Werkzeugmenü aus klicken. Die Einheit blockiert, wenn die Umgebungstemperatur zu niedrig ist.

# 15 Technische Daten

## 15.1 Allgemeines

Top mount (OTT)

Zahnriemenantrieb

Slip-ring

Elektronische Endschalter

Kein mechanisches Spiel

Optische Sensoren für Feedback bei absoluter Positionierung

Vorinstallierter Wischer

Vorinstallierte Kamera und Objektiv

## 15.2 Mechanik

Konstruktion aus Aluminiumdruckguss und Technopolymer

Pulverlackierung mit Epoxydpolyester, Farbe RAL9002

Horizontale Drehung: 360°, kontinuierliche Drehung

Zoom 33x:

- Vertikale Drehung: von -20° bis zu +45°
- Schwenkgeschwindigkeit rechts - links (einstellbar): von 0.02°/s bis zu 20°/s
- Neigeengeschwindigkeit Auf-Ab einstellbar (einstellbar): von 0.02°/s bis zu 20°/s

Genauigkeit beim Aufruf der Preset- Positionen: 0.02°

Kabelverschraubungen: 3xM16

Einheitsgewicht: 30kg

## 15.3 Elektrik

Versorgungsspannung/Stromaufnahme:

- 230Vac, 0.4A, 50/60Hz
- 120Vac, 0.8A, 50/60Hz
- 24Vac, 4A (8A mit LED Scheinwerfern), 50/60Hz

Leistungsaufnahme (Scheinwerfer ausgeschaltet):

- 24W, S-N-Kopf unbewegt (stand-by), ohne Heizung
- 100W, S-N-Kopf in Bewegung, laufende Heizung

Leistungsaufnahme (Scheinwerfer eingeschaltet):

- 150W, S-N-Kopf in Bewegung, laufende Heizung, Scheinwerfer auf die minimale Leistung
- 190W, S-N-Kopf in Bewegung, laufende Heizung, Scheinwerfer auf die maximale Leistung

4 Selbstgespeiste Alarmeingänge

2 potentialfreie Kontakte: 30Vdc max oder 30Vac, @ 1A

## 15.4 Kommunikation

Verbinder: RJ45, 10BASE-T/100BASE-T

Protokoll: ONVIF, Profil S (TCP/IPv4, UDP/IPv4, HTTP, NTP, DHCP, WS-DISCOVERY, QoS, RTSP, RTP)

## 15.5 Kamera

Day/Night Full HD, 60fps, sensor CMOS 1/2.8"

Effektive Pixel: 2 Megapixel

Mindestbeleuchtung, Farbe (ICR-OFF):

- 0.041 lx 1/25s F3.0, 50 IRE

Mindestbeleuchtung, B/W (ICR-ON):

- 0.005 lx 1/25s F3.0, 50 IRE

Zoom 33x:

- Horizontale Blickwinkel: von 20.51° (wide end) bis zu 0.65° (tele end)
- Vertikale Bildwinkel: von 11.58° (wide end) bis zu 0.36° (tele end)

S/N Ratio: mehr als 55 dB

HDR-Modus: 110 dB WDR (Gemessen gemäß IEC 62676-5)

Anpassbare Bildeinstellungen: Kontrast, Sättigung, Helligkeit

Weißabgleich: von 2500K bis zu 10000K, 4 automatische Modi (Basis, standard, Natriumlampe, dominante Farbe), manueller Modus und Haltemodus

ALC-Pegel: Einstellbar

Sättigung: Einstellbar von Höchstwert bis Durchschnitt

Shutter: Automatischer elektronischer Verschluss (AES, Automatic Electronic Shutter); Fester Verschluss (von 1/25 [30] bis zu 1/15000)wählbar; Standardverschluss

Day/Night: Auto (einstellbare Umschaltunkte), Farbe, Schwarzweiß

Schärfe: Wählbare Erhöhung der Bildschärfe

Abgleich des Gegenlichts: On/Off/Intelligent Auto Exposure (IAE)

Kontrastoptimierung: On/Off

Reduzierung Störungen: Intelligent Dynamic Noise Reduction mit getrennten zeitlichen und räumlichen Einstellungen

Intelligent Defog

Video Content Analysis Intelligent Video Analytics

Modus Szene: 10 mit einem Scheduler festgelegte

Modi: Drinnen, Draußen, Verkehr, Schlechte Beleuchtung, intelligenter EA, Vibration, Niedrige Bitrate, Sport und Spiel, Läden, Nummernschilderkennung (LPR)

Verdunklung Bereiche

## 15.6 Optiken

Zoom 33x, 15.2-500mm, F3.0 (System für thermischem Ausgleich und Visible Cut Filter)

## 15.7 Umgebung

Montage für den Innen- und Außenbereich

Betriebstemperatur

- Durchgehende Arbeit: von -40°C bis zu +60°C
- Nicht durchgehende Arbeit (Absolute und maximale Temperatur für kurze Zeit): +65°C
- Cold Start (33x Objektiven): -30°C

Impulsfestigkeit: bis zu 2kV zwischen zwei Leitungen, bis zu 4kV zwischen Leitung und Erde (Klasse 4)

Relative Luftfeuchtigkeit: von 10% bis zu 95% (keine Kondensation)

## 15.8 Zertifizierungen

Elektrische Sicherheit (CE): EN60950-1, IEC60950-1, EN62368-1, IEC62368-1

Elektromagnetische Verträglichkeit (CE): EN50130-4, EN61000-6-4, EN55022 (Klasse A), FCC Part 15 (Klasse A)

Außeninstallation (CE): EN60950-22, IEC60950-22

Fotobiologische Sicherheit (CE): EN62471 (LED Scheinwerfer)

Schutzart IP: EN60529, IP66

Salznebelbeständig: EN50130-5, EN60068-2-52

EAC-Zertifizierung

NDAA-konform

# 16 Technische Zeichnungen



Die Maße sind in Millimetern angegeben.

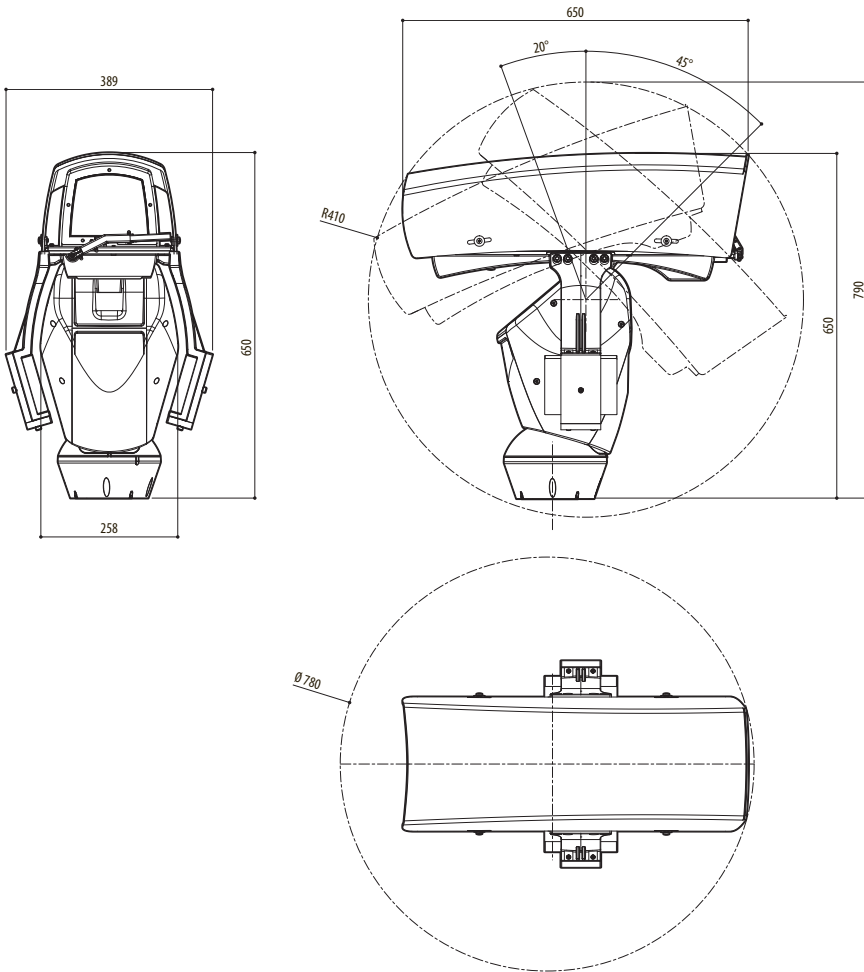
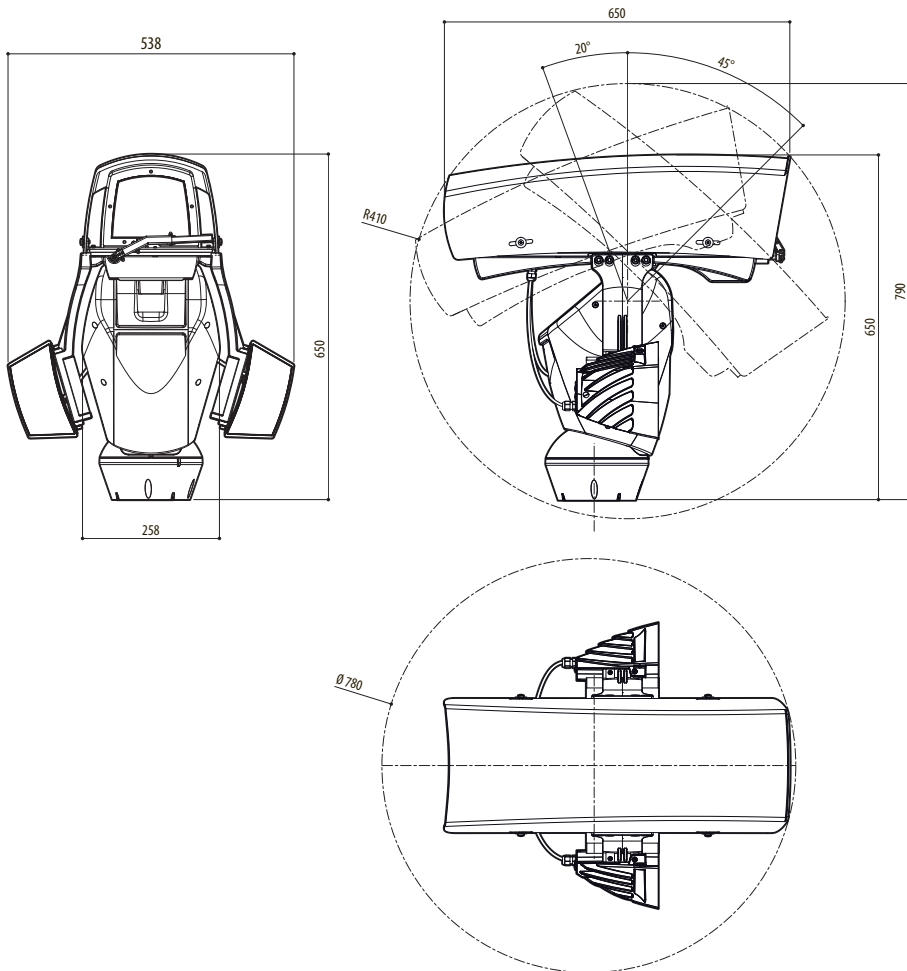


Abb. 76 ULISSE RADICAL, Zoom 33x.



**Abb. 77** ULISSE RADICAL, Zoom 33x, Version mit Vorrüstung für zwei LED-Scheinwerfer.

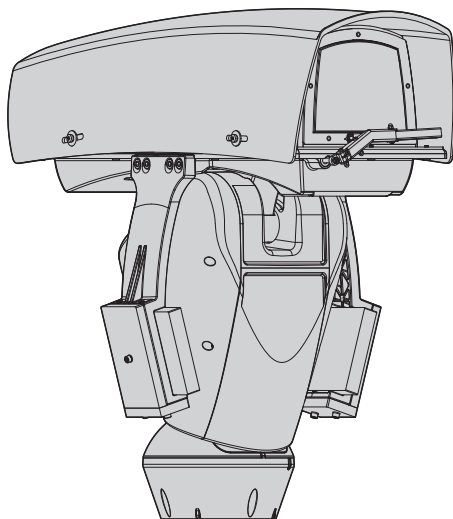


**Headquarters Italy** Videotec s.r.l.  
 Via Friuli, 6 - I-36015 Schio (VI) - Italy  
 Tel. +39 0445 697411 - Fax +39 0445 697414  
 Email: [info@videotec.com](mailto:info@videotec.com)  
[www.videotec.com](http://www.videotec.com)



# ULISSE RADICAL

PTZ-устройство дальнего действия с разрешением HD  
и высокоэффективной камерой и объективом







# Комплект оборудования


<b>1</b>	<b>О настоящем руководстве .....</b>	<b>5</b>
1.1	Типографские условные обозначения .....	5
<b>2</b>	<b>Примечания в отношении авторского права и информация о торговых марках.....</b>	<b>5</b>
<b>3</b>	<b>Правила техники безопасности .....</b>	<b>5</b>
<b>4</b>	<b>Обозначение.....</b>	<b>8</b>
4.1	Описание и обозначение типа устройства.....	8
4.2	Маркировка изделия.....	8
4.2.1	Проверка маркировки .....	8
<b>5</b>	<b>Модели .....</b>	<b>9</b>
5.1	Светодиодный осветитель .....	9
<b>6</b>	<b>Подготовка устройства к использованию .....</b>	<b>9</b>
6.1	Меры безопасности, предпринимаемые перед началом эксплуатации.....	9
6.2	Распаковка.....	10
6.2.1	Снятие защитной упаковки .....	10
6.2.1.1	Открывание кожуха.....	10
6.2.1.2	Снимите защитную упаковку.....	10
6.3	Комплект оборудования .....	11
6.4	Безопасная утилизация упаковочных материалов .....	11
6.5	Подготовительные работы перед установкой.....	11
6.5.1	Установка кронштейна .....	11
6.5.2	Кабельная укладка .....	11
<b>7</b>	<b>Монтаж .....</b>	<b>12</b>
7.1	Подключение кабелей к основанию .....	12
7.2	Крепление основания к опорной конструкции.....	13
7.3	Описание платы разъемов.....	13
7.4	Подключение линии питания .....	14
7.4.1	Подключение линии питания 24Vac .....	14
7.4.2	Подключение к линии питания напряжением 120Vac и 230Vac .....	15
7.4.3	Подключение входов сигнала тревоги, сумеречного выключателя и реле .....	15
7.5	Подключение Ethernet-кабеля .....	16
7.6	Крепление верхней части кожуха .....	16
7.7	Установка противовесов.....	16
7.8	Установка светодиодных осветителей .....	17
7.8.1	Снятие противовесов .....	17
7.8.2	Установка осветителя на кронштейне .....	17
7.9	Подключение светодиодных осветителей .....	18
7.10	Регулировка и режим включения светодиодных осветителей .....	18
7.10.1	Описание светодиодного осветителя.....	18
7.10.2	Регулировка порога включения светодиодных осветителей.....	19
7.10.3	Регулировка мощности светодиодных осветителей .....	19
7.11	Крепление щетки стеклоочистителя .....	20


<b>8 Включение .....</b>	<b>20</b>
<b>9 Конфигурация .....</b>	<b>21</b>
9.1 Веб-интерфейс.....	21
9.1.1 Начальная страница (Home).....	21
9.1.2 Страница пользовательских элементов управления.....	22
9.1.3 Страница параметров устройства (Device Parameters) .....	23
9.1.4 Страница статистических данных устройства (Device Statistics).....	24
9.1.5 Страница конфигурации сети .....	24
9.1.6 Страница пользовательских настроек.....	25
9.1.7 Страница параметров движения (Motion Parameters).....	25
9.1.7.1 Страница автоматического панорамного наблюдения (Autopan Page).....	26
9.1.7.2 Страница патрулирования (Patrol Page).....	26
9.1.7.3 Страница вызова движения (Motions Recall) .....	26
9.1.8 Страница предварительно установленных параметров.....	26
9.1.9 Страница предварительно установленных параметров (Дополнительное меню) .....	26
9.1.10 Страница цифрового входа/выхода (Digital I/O) .....	27
9.1.11 Страница омывателя.....	27
9.1.12 Параметры Камеры страница.....	28
9.1.13 Страница инструментов (Tools).....	28
9.1.14 Factory Default.....	29
9.2 VTunnel.....	30
9.3 Камера.....	30
<b>10 Комплектующие .....</b>	<b>31</b>
10.1 Омыватель (Washer).....	31
10.1.1 Подключение системы омывателя.....	31
10.2 Кронштейн для крепления на стене .....	32
10.3 Кронштейн для крепления параллельно потолку.....	32
10.4 Блок питания с функцией управления осветителями.....	32
<b>11 Техническое обслуживание .....</b>	<b>33</b>
11.1 Замена предохранителей.....	33
<b>12 Очистка.....</b>	<b>33</b>
12.1 Чистка окна и пластмассовых деталей .....	33
<b>13 Информация об утилизации и переработке.....</b>	<b>34</b>
<b>14 Поиск и устранение неисправностей .....</b>	<b>34</b>
<b>15 Технические характеристики .....</b>	<b>35</b>
15.1 Общие сведения.....	35
15.2 Механические хар. ....	35
15.3 Электрические хар. ....	35
15.4 Связь (Communications).....	35
15.5 Камеры.....	36
15.6 Объективы .....	36
15.7 Окружающая среда .....	36
15.8 Сертификаты .....	36
<b>16 Технические чертежи .....</b>	<b>37</b>


# 1 О настоящем руководстве


Перед установкой и использованием этого изделия внимательно прочтите всю предоставленную документацию. Всегда держите руководство под рукой, чтобы им можно было воспользоваться в будущем.


## 1.1 Типографские условные обозначения

 **ОПАСНОСТЬ!**  
Высокий уровень опасности.  
Риск поражения электрическим током.  
При отсутствии иных указаний отключите питание устройства, перед тем как приступить к выполнению любой операции.

 **ОПАСНОСТЬ!**  
Горячая поверхность.  
Избегайте контакта. При контакте с горячими поверхностями существует риск получения ожогов.

 **ОПАСНОСТЬ!**  
Опасность механического повреждения.  
Риск раздавливания или отрезания.

 **ПРЕДУПРЕЖДЕНИЕ!**  
Средний уровень опасности.  
Данная операция крайне важна для обеспечения надлежащего функционирования системы. Внимательно ознакомьтесь с описанием процедуры и выполните ее в соответствии с приведенными указаниями.


 **INFO**  
Описание характеристик системы.  
Рекомендуем внимательно ознакомиться с содержанием этого раздела, для того чтобы понять следующие этапы.


## 2 Примечания в отношении авторского права и информация о торговых марках


Названия устройств или компаний, упоминаемые в настоящем документе, являются торговыми марками или зарегистрированными торговыми знаками соответствующих компаний.


Торговая марка ONVIF® принадлежит Onvif, Inc.


# 3 Правила техники безопасности


 **ПРЕДУПРЕЖДЕНИЕ!** Система электропитания, к которой подключается устройство, должна иметь автоматический двухполюсный выключатель цепи 20А max. Этот выключатель выбирается из перечисленных в списке. Минимальное расстояние между контактами автоматического выключателя цепи должно составлять 3mm. Выключатель цепи должен иметь защиту от тока КЗ на землю (дифференциальная защита) и защиту от перегрузки по току (термомагнитная защита).

 **ПРЕДУПРЕЖДЕНИЕ!** Опасные движущиеся детали. Следите за тем, чтобы пальцы и другие части тела были на безопасном расстоянии.

 **ПРЕДУПРЕЖДЕНИЕ!** Установка и обслуживание устройства должны осуществляться только специализированным персоналом.

 **ПРЕДУПРЕЖДЕНИЕ!** Для обеспечения постоянной защиты от риска возгорания при замене предохранителей следует использовать предохранители того же типа и номинала. Только обслуживающий персонал может проводить замену предохранителей.

 **ПРЕДУПРЕЖДЕНИЕ!** Система типа НТС-1 Это система типа НТС-1, не подключайте ее к СНБН-схемам.

 **ПРЕДУПРЕЖДЕНИЕ!** Для снижения риска возникновения пожара используйте исключительно кабели UL или CSA, сечение которых превышает или равно 0,14mm<sup>2</sup> (26AWG).

- Производитель не несет ответственности за любые повреждения, возникающие в результате неправильного использования указанного в настоящем руководстве оборудования. Помимо этого, производитель сохраняет за собой право изменять содержание руководства без предварительного уведомления. Представленная в настоящем руководстве документация прошла тщательную проверку. Однако производитель не несет ответственности за ее использование. Аналогичные условия предусмотрены в отношении любого лица или компании, привлеченных для составления и создания данного руководства.

- Перед тем, как приступить к выполнению любых операций, убедитесь в том, что источник питания устройства отключен.
- Не используйте кабели, которые кажутся изношенными или старыми.
- Никогда и ни при каких обстоятельствах не выполняйте изменений или подключений, не предусмотренных настоящим руководством. Ненадлежащее использование оборудования может привести к возникновению серьезных опасных ситуаций, угрожающих безопасности персонала и системы.
- Используйте только оригинальные запасные части. Неоригинальные запасные части могут привести к возникновению пожара, электрического разряда или другой опасной ситуации.
- Перед монтажом проверьте соответствие поставленных материалов спецификациям заказа, сверив идентификационные ярлыки (4.2 Маркировка изделия, страница 8).
- Категория установки (также называемая категорией перенапряжения) указывает на уровень сетевых скачков напряжения, которым подвержено оборудование. Категория зависит от места размещения оборудования и наличия каких-либо устройств защиты от скачков напряжения. Оборудование, устанавливаемое на промышленном объекте и напрямую подключаемое к магистральным линиям сети питания, относится к категории установки III. В этом случае необходимо снизить категорию перенапряжения до II. Этого можно добиться путем использования изолирующего трансформатора с заземленным экраном между первичной и вторичной обмоткой или путем установки устройств защиты от скачков напряжения (УЗСН), UL listed, на участке между фазой и нулем, а также нулем и землей. Сертифицированные устройства защиты от скачков напряжения должны обеспечивать многократное ограничение скачков напряжения и подходить для работы в следующих номинальных условиях: Тип 2 (УЗСН, постоянно подключенные к сети питания и предназначенные для установки на стороне нагрузки вспомогательного оборудования); номинальный ток разряда (In) мин. 20kA. Например, можно использовать: FERRAZ SHAWMUT, STT2240SPG-CN, STT2BL240SPG-CN с номиналом 120Vac/240Vac, (In=20kA). Максимальное расстояние между устройством и ограничителем перенапряжения составляет 5m.
- Это устройство разработано для подключения и установки на здании или подходящей конструкции на постоянной основе. Устройство следует надежно закрепить и подключить перед выполнением каких-либо работ.
- Электрическая система оснащается выключателем питания, который можно легко найти и использовать в случае необходимости.
- Отдельная защитная заземляющая клемма устройства должна быть постоянно подключена к проводу заземления.
- Подключите устройство к источнику питания в соответствии с указаниями на этикетке с маркировкой. Перед тем как продолжить установку, убедитесь, что линия питания надлежащим образом изолирована. Напряжение сети питания никогда не должно превышать установленные предельные значения ( $\pm 10\%$ ).
- Подача электропитания обеспечивается с помощью изолированного источника типа SELV, 24Vac, 8A, через UL-трансформер с двойной изоляцией и особой защитой на выходе
- Оборудование включает движущиеся детали. Убедитесь, что устройство расположено в недоступном при нормальном режиме работы месте.
- Прикрепите ярлык "Опасные движущиеся детали" рядом с устройством. (Рис. 3, страница 9).
- Не используйте оборудование вблизи воспламеняющихся веществ.
- Чтобы подключить линию питания, используйте соответствующую распределительную коробку. (UPTJBUL). Дополнительная информация представлена в руководстве по эксплуатации и установке устройства.

- Не разрешайте детям или неуполномоченным лицам использовать оборудование.
- Только опытные сотрудники должны проводить техническое обслуживание устройства. При проведении технического обслуживания оператор подвергается риску удара током и другим опасностям.
- Используйте только указанные производителем комплектующие. Любое изменение, которое выполняется без разрешения, явным образом предоставленного производителем, аннулирует гарантию.
- Перед подключением всех кабелей убедитесь, что устройство надлежащим образом подключено к цепи заземления.
- Если устройство необходимо демонтировать, всегда отключайте кабель заземления последним.
- Предпринимайте все необходимые меры предосторожности, чтобы предотвратить повреждение оборудования вследствие электрического разряда.
- Устройство предназначено для подключения с помощью трехжильного кабеля. Чтобы надлежащим образом подключиться к каждой цепи, следуйте инструкциям, изложенным в настоящем руководстве.
- Обращайтесь с устройством очень осторожно, сильная механическая нагрузка может привести к его повреждению.
- Обратите особое внимание на то, чтобы линия питания была изолирована и находилась на значительном расстоянии от всех других кабелей, в том числе от устройств для защиты от удара молнии.
- При необходимости перевезти устройство следует делать это с большой осторожностью. Резкие остановки, неровности на дороге и сильные удары могут привести к повреждению устройства или стать причиной травмы пользователя.

## 4 Обозначение

### 4.1 Описание и обозначение типа устройства

ULISSE RADICAL – это первая готовая к использованию сетевая PTZ-система Full HD от Videotec, которая объединяет в себе превосходные предварительно сконфигурированные комбинации объектива и камеры, сенсоры CMOS 1/2.8" дюйма Full HD 1080p, 60fps (кадров в секунду) для высококачественного ночного и дневного видеонаблюдения за обширными наружными пространствами.

Чтобы соответствовать самым строгим требованиям в области видеонаблюдения, этот блок PTZ оснащен оптикой с 33-кратным приближением и усовершенствованной автофокусировкой, которая автоматически поддерживает фокусировку даже на самых удаленных объектах, обеспечивая четкость деталей.

Устройство ULISSE RADICAL поставляется с сертифицированным протоколом ONVIF Profile S и совместимо с большинством имеющихся на рынке программ для управления видео (VMS).

Подключаемое программное обеспечение PTZ ASSISTANT компании Videotec поддерживает любые программы управления видео и обеспечивает управление всеми специальными функциями, например, стеклоочистителем, насосом омывателя, инфракрасной съемкой и автоматической фокусировкой.

Мощные моторы гарантируют исключительно плавное отслеживание даже на минимальной скорости в 0,02°/сек.

Эффективность работы остается оптимальной даже в полной темноте благодаря мощным светодиодным осветителям, с которыми видимость сохраняется на расстоянии более 300 м при использовании двух осветителей UPTIRN (10°, 850 нм).

Устройство ULISSE RADICAL с увеличением 33x включает систему термокомпенсации и фильтр, отсекающий видимый свет.

Благодаря своей точности, надежности и прочности эта PTZ-камера представляет собой идеальное решение для визуального наблюдения за большими площадями, например, для следующих целей: наблюдение на границе, в портах, наблюдение за периметром и на дальних расстояниях, наблюдение за дорожным движением и автомобильным транспортом, а также наблюдение на военных базах.

## 4.2 Маркировка изделия



На устройстве размещается этикетка в соответствии с маркировкой CE.

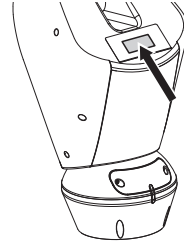


Рис. 1

На этикетке указаны:

- Идентификационный код модели (Расширенный штрих-код 3/9).
- Напряжение сети питания (Volt).
- Частота (Hertz).
- Потребляемый ток (A).
- Стандарт защиты от атмосферных воздействий (IP).
- Серийный номер.


### 4.2.1 Проверка маркировки

Перед тем как продолжить установку, убедитесь, что предоставленные материалы соответствуют спецификациям заказа, проверив этикетки с маркировкой.

Никогда и ни при каких обстоятельствах не выполняйте изменений или подключений, не предусмотренных настоящим руководством. Ненадлежащее использование оборудования может привести к возникновению серьезных опасных ситуаций, угрожающих безопасности персонала и системы.

## 5 Модели

### 5.1 Светодиодный осветитель

 Модель со светодиодными осветителями может работать только при напряжении в 24Vac.

Поворотное устройство может быть оснащено кронштейном для 2 светодиодных осветителей VIDEOTEC для ночного наблюдения (осветители не входят в комплект оборудования).

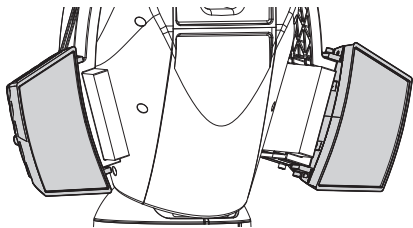





Рис. 2


 Более подробная информация представлена в соответствующей главе (7.8 Установка светодиодных осветителей, страница 17).

## 6 Подготовка устройства к использованию

 Любое изменение, которое выполняется без разрешения, явным образом предоставленного производителем, аннулирует гарантию.

 Изделие запрещается демонтировать или самовольно вскрывать. Единственным исключением являются операции по монтажу и техническому обслуживанию, описываемые в настоящем руководстве.

### 6.1 Меры безопасности, предпринимаемые перед началом эксплуатации

 Оборудование включает движущиеся детали. Убедитесь, что устройство расположено в недоступном при нормальном режиме работы месте. Разместите предупреждающую этикетку, предоставленную вместе с оборудованием, рядом с устройством так, чтобы она была хорошо заметна.



**ATTENZIONE!**  
Parti mobili pericolose. Non avvicinare dita e altre parti del corpo.

**WARNING!**  
Hazardous moving parts. Keep fingers and other body parts away.

**AVERTISSEMENT!**  
Parties mobiles dangereuses. Ne pas approcher les doigts au d'autres parties du corps.

**ACHTUNG!**  
Gefährliche bewegliche Teile. Finger und andere Körperteile fernhalten.

Рис. 3

## 6.2 Распаковка

При получении устройства убедитесь, что упаковка не повреждена и не имеет явных признаков падения или царапин.

В случае наличия видимых повреждений незамедлительно свяжитесь с поставщиком.

В случае возврата неисправного устройства мы рекомендуем использовать оригинальную упаковку для транспортировки.

Сохраняйте упаковку на случай, если потребуется отправить устройство на ремонт.

**i** **Распакуйте солнцезащитный козырек устройства, стараясь не повредить кожу.**

### 6.2.1 Снятие защитной упаковки

Снимите защитную упаковку перед установкой устройства.

#### 6.2.1.1 Открывание кожуха

Ослабьте винты с защитой от протечек, расположенные по бокам, и поднимите верхнюю часть кожуха.

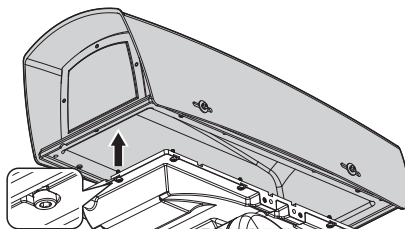


Рис. 4

**i** **Прежде всего затяните два центральных винта, как показано на рисунке.**

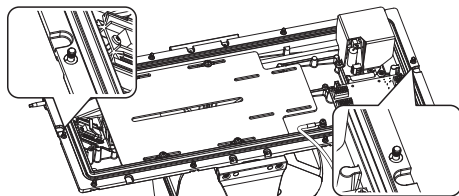


Рис. 5

**i** **После завершения операций по установке и прокладке кабелей закройте устройство.**

#### 6.2.1.2 Снимите защитную упаковку.

Откройте кожух и снимите защитную упаковку.

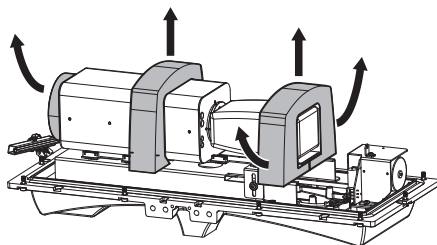


Рис. 6



## 6.3 Комплект оборудования

Проверьте комплект оборудования на соответствие представленному ниже списку материалов:

- Устройство позиционирования
- Основание с подачей питания
- Упаковка комплектующих:
  - Последовательный адаптер
  - Последовательный кабель-удлиннитель
  - Торцевые ключи
  - Прокладки
  - Этикетка
  - Кабельные стяжки
  - Феррит
  - Силиконовая оболочка
  - Уплотнительные кольца переходников для кабельных сальников
  - Руководство по эксплуатации
  - Пластина для крепления пакета с влагопоглотителем
  - Болты и винты
- Упаковка противовесов:
  - Противовесы
  - Кронштейны для противовесов
- Солнцезащитный козырек
- Набор инструментов для монтажа моечной системы (WASPT):
  - Опора форсунки с винтами (насадка и патрубки входят в комплект для мойки)

## 6.4 Безопасная утилизация упаковочных материалов

Упаковочные материалы могут подвергаться переработке. Технический специалист установщика отвечает за сортировку материалов для переработки, а также за соблюдение требований законодательства, действующего в месте установки устройства.

## 6.5 Подготовительные работы перед установкой

### 6.5.1 Установка кронштейна



**Для подвергаемых вибрациям конструкций используйте только кронштейн для крепления параллельно потолку.**

Доступны различные виды опорных конструкций (10 Комплектующие, страница 31). Выберите подходящий кронштейн для установки и выполните все инструкции из соответствующей главы.



**Особое внимание обратите на размещение и крепление оборудования. Система крепления должна выдерживать как минимум четырехкратный вес всего оборудования.**



**Устройство следует монтировать вертикально. Любое другое положение может негативно отразиться на работе оборудования.**



**Не закрепляйте устройство в перевернутом состоянии.**

### 6.5.2 Кабельная укладка



**Соединительные кабели не должны быть доступны снаружи.**



**Кабели должны быть надлежащим образом закреплены на устройстве во избежание образования чрезмерного веса, который может привести к случайному разъединению.**



**Необходимо использовать подходящие к типу установки кабели.**

Проложите кабели внутри опорной конструкции так, чтобы снаружи оставалось около 50 см.

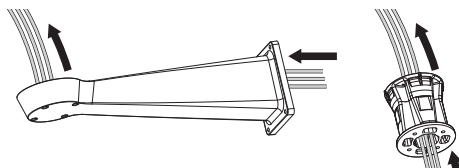


Рис. 7

## 7 Монтаж



Никогда и ни при каких обстоятельствах не выполняйте изменений или подключений, не предусмотренных настоящим руководством. Несоблюдение изложенных в руководстве инструкций по подключению может привести к возникновению серьезной угрозы для безопасности людей и установки.



Не меняйте схему разводки в полученном вами оборудовании. Несоблюдение настоящей инструкции может привести к возникновению серьезной угрозы для безопасности людей и установки, а также аннулирует гарантию.



Если вы используете комплект омывателя, опора для сопла должна быть установлена до размещения поворотного устройства и соответствующих проводов. Дополнительная информация представлена в соответствующем руководстве по эксплуатации комплекта омывателя.

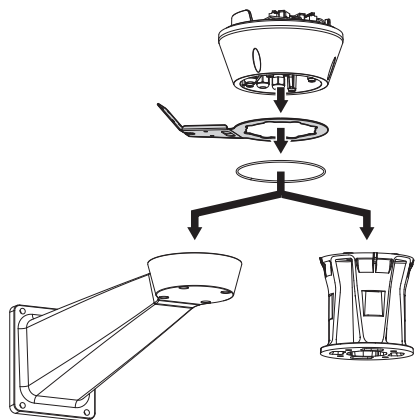


Рис. 8



Под нижней крышкой находится пакет с влагопоглотителем, который используется для предотвращения образования влаги в основании устройства и рядом с платами подключения. Выньте пакет перед установкой.

### 7.1 Подключение кабелей к основанию

Вставьте кабели в кабельные сальники, удерживая основание на расстоянии около 20 см от опорной конструкции. Затяните кабельные сальники. Кабельные сальники подходят для кабелей диаметром от 5мм до 10мм.

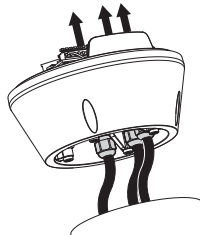


Рис. 9



Будьте внимательны при монтаже. Момент затяжки: 5Nm.



Для кабелей диаметром от 3мм до 7мм используйте входящие в комплект уплотнительные кольца.

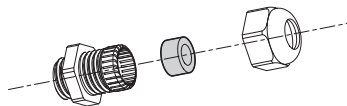


Рис. 10

## 7.2 Крепление основания к опорной конструкции

**Используйте винты и шайбы, поставляемые вместе с основанием.**

Установите уплотнительное кольцо (01) и закрепите основание (02) на кронштейне (03) с помощью винтов (04), зубчатых шайб (05) и колец (06).

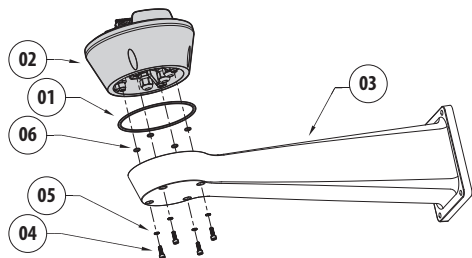


Рис. 11

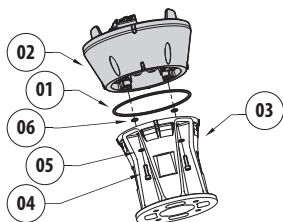


Рис. 12

Выровняйте 3 метки на основании с метками на опорной конструкции, как показано на следующем рисунке.

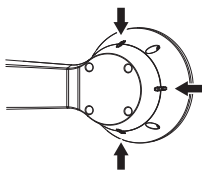


Рис. 13

**Нанесите резьбовой фиксатор в отверстия для винтов (Loctite 243°).**

**Будьте внимательны при монтаже. Момент затяжки: 6Nm.**

## 7.3 Описание платы разъемов

ОПИСАНИЕ ПЛАТЫ РАЗЪЕМОВ	
Разъем/Элемент	Функция
CN1	Питание платы
CN4	Сигнальные кабели
Ethernet	Ethernet
F1	Предохранитель
F2	Предохранитель

Табл. 1

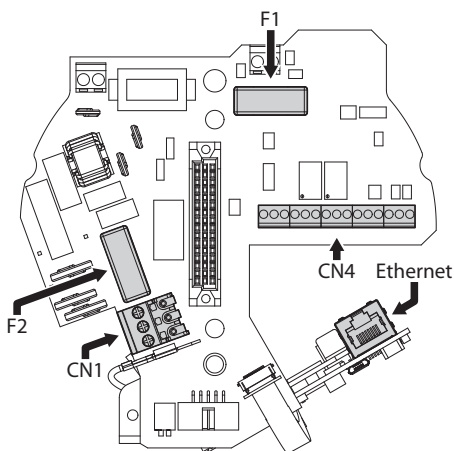


Рис. 14

## 7.4 Подключение линии питания

В зависимости от модели на устройство может подаваться разное напряжение сети питания. Значение напряжения сети указано на идентификационной этикетке устройства. (4.2 Маркировка изделия, страница 8).

**⚠** Выполнять электрические подключения необходимо при отключенном источнике питания и разомкнутом выключателе сети.

**⚠** Перед началом монтажа убедитесь в том, что характеристики источника питания соответствуют характеристикам устройства.

**⚠** Проверьте соответствие размеров гнезда питания и кабеля.

**⚠** Кабель заземления должен быть длиннее двух других кабелей примерно на 10мм, чтобы предотвратить его случайное отсоединение при натягивании.

**⚠** Силовой кабель необходимо закрыть силиконовой оболочкой (01), входящей в комплект оборудования. Силиконовая оболочка крепится с помощью соответствующей кабельной стяжки (02).

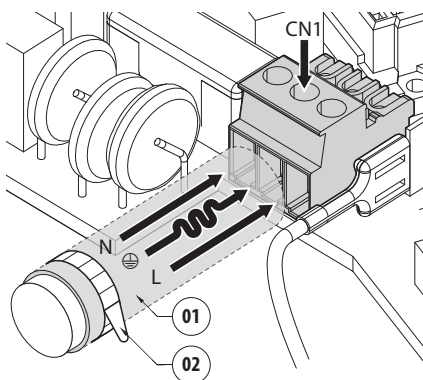


Рис. 15

### 7.4.1 Подключение линии питания 24Vac

Отрежьте кабели нужной длины и подсоедините их. Подключите питание к клемме: CN1.

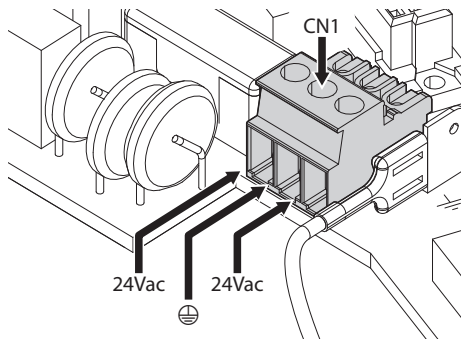


Рис. 16

Подсоедините кабели питания в соответствии с указаниями в нижеприведенной таблице.

ПОДКЛЮЧЕНИЕ ЛИНИИ ПИТАНИЯ	
Цвет	Клеммы
Источник питания 24Vac	
Определяется установщиком	24Vac
Определяется установщиком	24Vac
Желтый/Зеленый	⊕

Табл. 2

## 7.4.2 Подключение к линии питания напряжением 120Vac и 230Vac

Отрежьте кабели нужной длины и подсоедините их. Подключите питание к клемме: CN1.

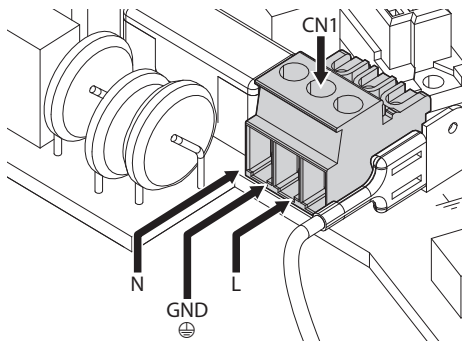


Рис. 17

Подсоедините кабели питания в соответствии с указаниями в нижеприведенной таблице.

ПОДКЛЮЧЕНИЕ ЛИНИИ ПИТАНИЯ	
Цвет	Клеммы
Источник питания 230Vac	
Синий	N (Нейтраль)
Коричневый	L (Фаза)
Желтый/Зеленый	⊕
Источник питания 120Vac	
Синий	N (Нейтраль)
Коричневый	L (Фаза)
Желтый/Зеленый	⊕

Табл. 3

## 7.4.3 Подключение входов сигнала тревоги, сумеречного выключателя и реле



**ПРЕДУПРЕЖДЕНИЕ!** Система типа НТС-1 Это система типа НТС-1, не подключайте ее к СНБН-схемам.



**ПРЕДУПРЕЖДЕНИЕ!** Для снижения риска возникновения пожара используйте исключительно кабели UL или CSA, сечение которых превышает или равно  $0,14\text{mm}^2$  (26AWG).

### Стандартная модель

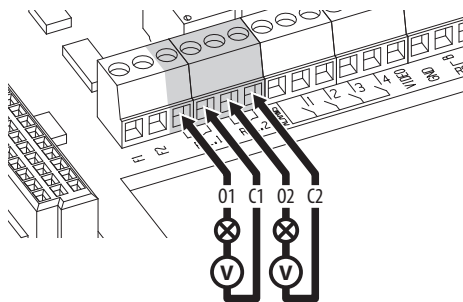


Рис. 18 Подключение контактов реле.

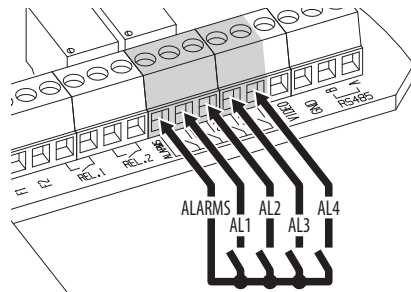


Рис. 19 Подключение сигналов тревоги.

### МОДЕЛЬ СО СВЕТОДИОДНЫМИ ОСВЕТИТЕЛЯМИ

ПОДКЛЮЧЕНИЕ ВХОДОВ СИГНАЛА ТРЕВОГИ, СУМЕРЕЧНОГО ВЫКЛЮЧАТЕЛЯ И РЕЛЕ	
AL1, AL2, AL3, AL4 e ALARMS	Входы сигнала тревоги с автономным питанием, связанные с общей клеммой ALARMS
O1-C1 e O2-C2	Сухие выходные контакты, активируемые сигналом тревоги или командой пользователя

Табл. 4



Подключите сумеречный выключатель к клеммам ALARMS и AL1. Контакт сигнала тревоги AL1 по умолчанию предназначен для сумеречного выключателя.

## 7.5 Подключение Ethernet-кабеля

Подключите Ethernet-кабель к соответствующему разъему (Ethernet, 7.3 Описание платы разъемов, страница 13).

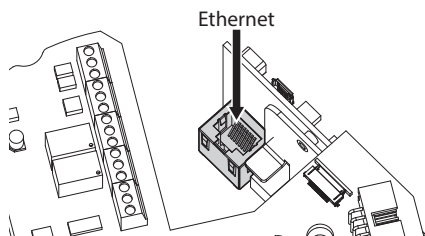


Рис. 20

## 7.6 Крепление верхней части кожуха

Установите верхнюю часть корпуса (01) на основании (02) с помощью крепежных винтов (03), укомплектованных прокладками (04). Проверьте наличие и хорошее состояние уплотнителя основания (05).

**!** Будьте внимательны при монтаже.  
Момент затяжки: 4Nm.

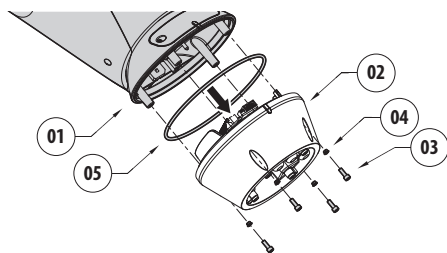


Рис. 21

**i** Существует единственное положение крепления между основанием и верхней частью корпуса. Выровняйте боковые выступы для правильного положения.

## 7.7 Установка противовесов

Прикрепите противовесы к кожуху с помощью предоставленных винтов и шайб.

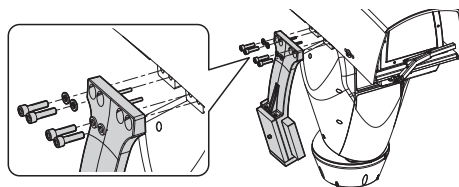


Рис. 22

**!** Нанесите резьбовой фиксатор в отверстия для винтов (Loctite 243®).

**!** Будьте внимательны при монтаже.  
Момент затяжки: 16Nm.

## 7.8 Установка светодиодных осветителей

**!** Для исправной работы необходимо всегда устанавливать оба осветителя.

**i** На поворотном устройстве можно устанавливать только осветители VIDEOTEC.

### 7.8.1 Снятие противовесов

Выкрутите винты и снимите внешние противовесы.

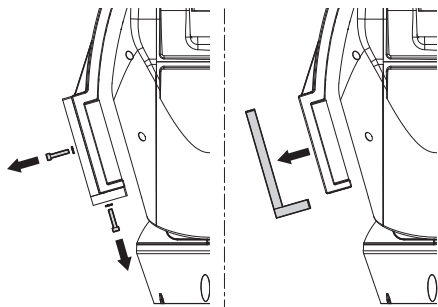


Рис. 23

### 7.8.2 Установка осветителя на кронштейне

Найдите передние отверстия на кронштейне противовеса.

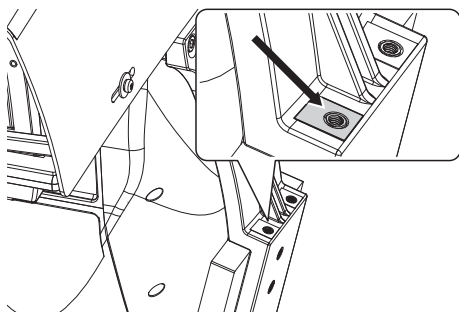


Рис. 24

Расположите крепления осветителя (01) на креплениях кронштейна (02).

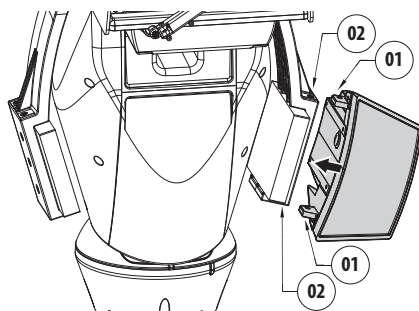


Рис. 25

Закрутите ранее извлеченные винты с шайбами.

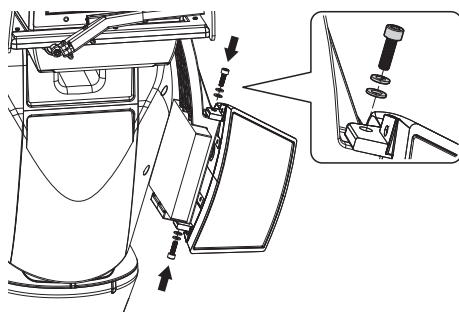


Рис. 26

**!** Будьте внимательны при монтаже.  
Момент затяжки: 6Nm.

## 7.9 Подключение светодиодных осветителей

Вставьте кабели питания в кабельные муфты как минимум на 25 см. Затяните кабельные сальники.

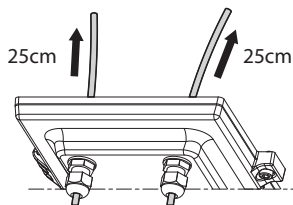


Рис. 27

**!** Чтобы не ставить под угрозу безопасность и исправность устройства, не оставляйте излишки кабеля снаружи.

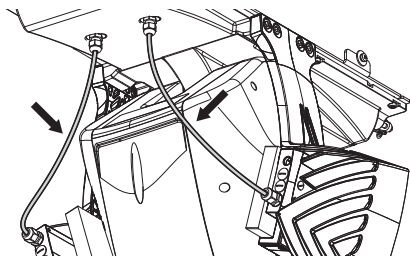


Рис. 28

Подключите кабели, как показано на рисунке. Левый основной осветитель (MASTER) должен быть соединен с разъемом J15. Правый подчиненный осветитель (SLAVE) должен быть соединен с разъемом J9.

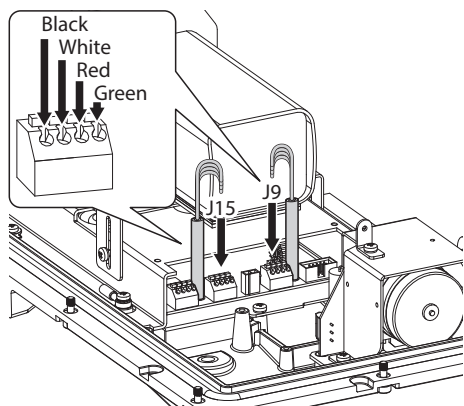


Рис. 29

## 7.10 Регулировка и режим включения светодиодных осветителей

После завершения регулировки левый основной осветитель (MASTER) синхронизирует и контролирует подчиненный правый осветитель (SLAVE).

Сумеречный выключатель определяет уровень освещенности и контролирует включение и выключение осветителей, когда яркость освещения достигает заданного пользователем уровня.

Когда светодиодные осветители активированы, камера переходит в ночной режим с помощью специальной команды ONVIF.

### 7.10.1 Описание светодиодного осветителя

**!** Для обеспечения правильного и безопасного функционирования осветителя не откручивайте прозрачный винт сумеречного датчика.

- **Сумеречный датчик:** Измеряет уровень освещенности.
- **Кабель:** Питание и управление.
- **Регулятор порога включения:** Потенциометр позволяет регулировать уровень чувствительности для включения осветителя.
- **Регулятор мощности инфракрасного излучения:** Потенциометр позволяет регулировать мощность осветителя.

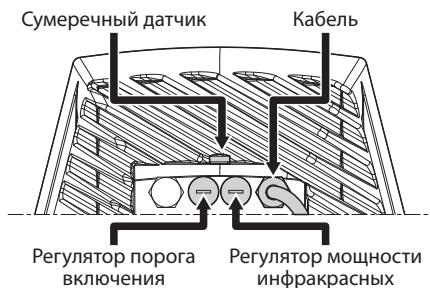



Рис. 30



## 7.10.2 Регулировка порога включения светодиодных осветителей

 Правый осветитель должен быть всегда отрегулирован на максимальную яркость.

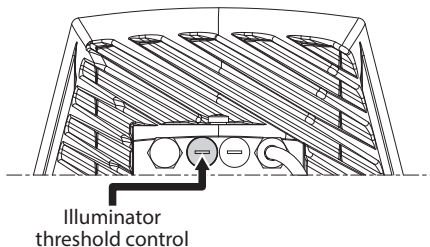


Рис. 31

Осветитель имеет встроенный сумеречный датчик, обеспечивающий автоматическое включение и выключение при заданных условиях освещенности.

Настройка сумеречного датчика выполнена производителем, который заранее установил уровень освещения, подходящий для большинства конфигураций (около 50 люксов). Если нужно выставить иные значения порога срабатывания, вытащите заглушку, установленную на задней части осветителя, и осуществите настройку с помощью отвертки.

Поворот подстроечного резистора по часовой стрелке приведет к более раннему срабатыванию ночного режима (переключение на более высокое значение освещенности). Поворот подстроечного резистора против часовой стрелке приведет к более позднему срабатыванию ночного режима (переключение на более низкое значение освещенности).

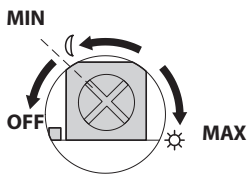




Рис. 32

Дождитесь соответствующих условий освещенности, подходящих для включения осветителя. Медленно поворачивайте подстроечный резистор до включения светодиодов, установленных на боковой стороне резистора. Как только порог срабатывания будет превышен (с включенными светодиодами), слегка поверните подстроечный резистор в обратном направлении.

 По завершении настройки проверьте, чтобы заглушка была плотно вставлена обратно для обеспечения герметичности устройства.

## 7.10.3 Регулировка мощности светодиодных осветителей

 Правый осветитель должен быть всегда отрегулирован на минимальную мощность.

Производитель настроил осветитель так, чтобы он выдавал максимальную мощность. Если нет необходимости в освещении удаленных объектов или картинка получается слишком светлой, уменьшите мощность, при этом вы снизите потребление энергии.

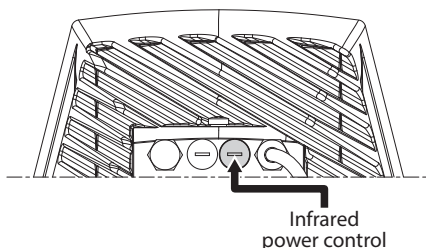


Рис. 33

Удалите герметичную заглушку. Поверните подстроечный резистор по часовой стрелке, чтобы увеличить мощность инфракрасного осветителя и против часовой стрелке, чтобы уменьшить ее.

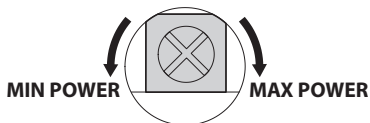



Рис. 34

 По завершении настройки проверьте, чтобы заглушка была плотно вставлена обратно для обеспечения герметичности устройства.

## 7.11 Крепление щетки стеклоочистителя

Наденьте щетку на ось щеткодержателя.

Установите щетку в положение покоя.

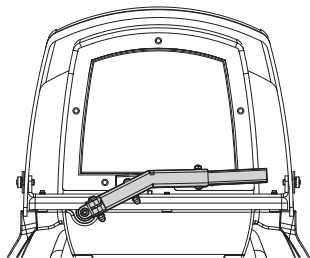


Рис. 35

Закрепите данный элемент в сборе с помощью шайбы и гайки.

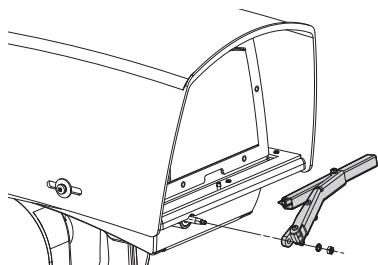


Рис. 36

**i** Правильная настройка должна позволять щетке вернуться в исходное положение и прилегать к пластине корпуса.

## 8 Включение

**⚡** Убедитесь, что устройство и прочие компоненты системы должным образом закрыты, чтобы предотвратить контакт с частями, находящимися под напряжением.

**⚠** Во время работы в нормальном режиме поверхность осветителя может нагреваться до высоких температур. Избегайте прямого контакта и установите устройство в месте, недоступном для посторонних лиц. До осветителя можно дотрагиваться только после того, как он будет выключен и оставлен остывать в течение как минимум 10 минут.

**⚠** Не находитесь рядом с устройством, если на него подается питание. Проводите операции с устройством только при отключенном питании.

**⚠** Убедитесь в том, что все детали надежно закреплены.

Для того чтобы включить устройство, подключите источник питания.

Для того чтобы выключить устройство, отключите источник питания.

# 9 Конфигурация

## 9.1 Веб-интерфейс

**i** Устройство настроено таким образом, чтобы получить IP-адрес от сервера DHCP.

**i** Поддерживаемые браузеры (последняя версия): Microsoft Edge, Google Chrome™, Mozilla Firefox.

**i** MAC-адрес записан на ярлыке платы центрального процессора.

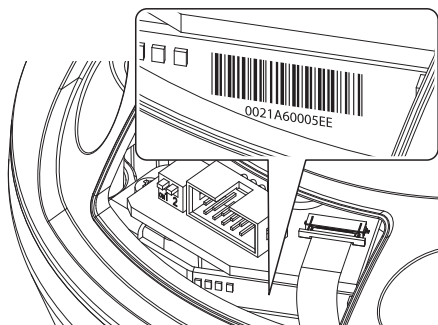


Рис. 37

Первое действие по настройке конфигурации устройства заключается в подключении к веб-интерфейсу.

IP-адрес, полученный через DHCP, можно посмотреть в файле журнала сервера DHCP.

Если сервер DHCP недоступен, устройство настраивается автоматически, используя самостоятельно сгенерированный IP-адрес в подсети 169.254.x.x/16. Настройка IP-адреса компьютера в той же подсети (пример: IP-адрес: 169.254.1.1, subnet mask: 255.255.0.0).

Для поиска IP-адреса устройства используйте совместимую с ONVIF программу управления видео (VMS) или сетевой анализатор пакетов (сниффер). (Программа сканирования IP).

Чтобы получить доступ к веб-интерфейсу поворотного устройства, просто используйте браузер, чтобы подключиться к адресу `http://ip_адрес` и выполнить вход в приложение поворотного устройства с помощью заранее установленных учетных данных:

- **Username:** admin
- **Пароль:** admin

### 9.1.1 Начальная страница (Home)

Если авторизация прошла успешно, отобразится интерфейс управления устройством.



Рис. 38

## 9.1.2 Страница пользовательских элементов управления

Чтобы управлять устройством через браузер, выберите функцию User Control (Пользовательское управление). Откроется новое окно с виртуальной клавиатурой для ввода команд.

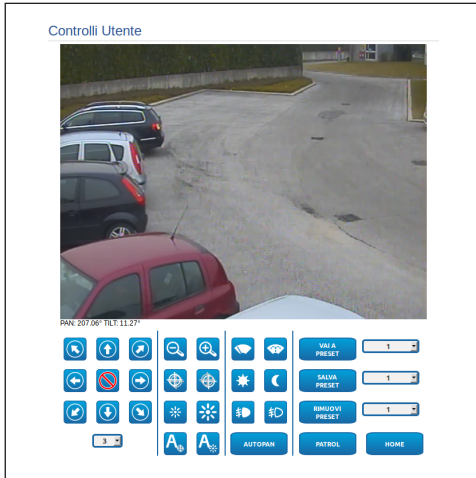


Рис. 39

Виртуальная клавиатура содержит следующие элементы управления:

- **Переключатель скоростей:** Позволяет выбрать скорость движения поворотного устройства.



Рис. 40

- **Zoom Wide/Zoom Tele**



Рис. 41

- **Focus near/Focus far/Autofocus**



Рис. 42

- **Iris close/Iris open/Auto iris**



Рис. 43

- **Wiper/Washer**



Рис. 44

- **Day:** Включение ИК-фильтра камеры. При наличии отключает светодиодные осветители.



Рис. 45

- **Night:** Отключение ИК-фильтра камеры. При наличии включает светодиодные осветители.



Рис. 46

- **Visible Cut Filter On:** Включает фильтр, отсекающий видимый свет (в моделях, оснащенных этой функцией). Этот фильтр позволяет получить четкое изображение (черно-белое) в пасмурную погоду или при встречной засветке.



Рис. 47

- **Visible Cut Filter Off:** Отключает фильтр, отсекающий видимый свет (в моделях, оснащенных этой функцией).



Рис. 48

- **Autopan:** Включает режим циклического позиционирования в рамках двух предварительно установленных настроек для поворота, наклона и увеличения.



Рис. 49

- **Scan Preset/Set Preset/Remove Preset**

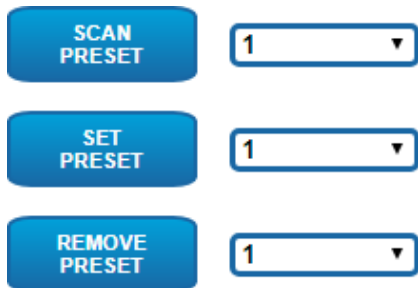


Рис. 50

- **Patrol:** Включает режим автоматического патрулирования, повторяющегося последовательным или случайным образом, а также предварительно установленные настройки поворота, наклона и увеличения.



Рис. 51

- **Вернуться на домашнюю страницу**



Рис. 52

### 9.1.3 Страница параметров устройства (Device Parameters)

Пункт меню Параметры устройства (Device Parameters) позволяет задать имя устройства и просмотреть другую дополнительную информацию.

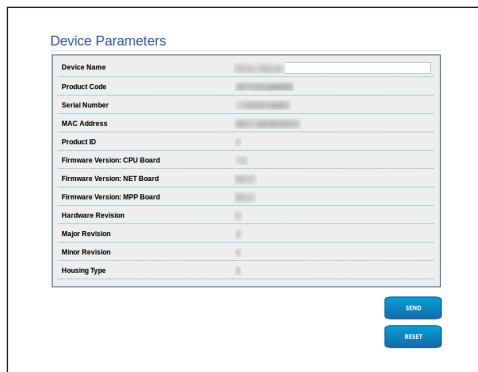


Рис. 53

## 9.1.4 Страница статистических данных устройства (Device Statistics)

В пункте меню «Статистика устройства» можно просмотреть все статистические данные, собранные во время работы устройства.

Device Statistics	
Pan degrees	3364
TB degrees	1442
Power up	133
Working hours	26
Housing max temperature (°C)	40
Housing min temperature (°C)	65454
Pan board max temperature (°C)	50
Pan board min temperature (°C)	22
CPU board max temperature (°C)	43
CPU board min temperature (°C)	20
Net board max temperature (°C)	39
Net board min temperature (°C)	19
IR Light ON hours	0

Рис. 54

## 9.1.5 Страница конфигурации сети

Пункт меню Сети (Network) позволяет изменить настройки сети поворотного устройства. Здесь можно принять решение, требуется ли устройству статический адрес, динамический адрес, получаемый по протоколу DHCP, или автоматически генерируемый адрес. Устройство поддерживает Интернет-протокол (IP) версии 4.

**i** При автоматически генерируемом адресе устройство автоматически назначит себе адрес в диапазоне **169.254.0.0/16**.

На этой же странице можно настроить 2 DNS-адреса и решить, какие механизмы следует включить для автоматической идентификации устройств в локальной сети.

### Network Configuration

IP Version	IPv4
Address Type	STATIC
IP Address (IPv4)	192.168.103.121
Subnet Mask (IPv4)	255.255.255.0
Gateway (IPv4)	192.168.103.1
<hr/>	
DNS auto discovery	DISABLED
Primary DNS	8.8.4.4
Secondary DNS	8.8.8.8
<hr/>	
Date & Time	2013-05-27 14:41:53 UTC
NTP Server	DISABLED
PC Sync	ENABLED
<hr/>	
UPNP	ENABLED
Zeroconf	ENABLED
Multicast discovery	ENABLED
WS discovery	ENABLED

SEND
RESET

Рис. 55

**NTP Server:** Можно также указать, требуется ли синхронизировать устройство с внешним NTP-сервером (Сетевым протоколом времени).

- **DISABLED:** Выберите эту опцию, если вы не хотите синхронизировать дату и время устройства.
- **DHCP:** Выберите эту опцию, если вы хотите синхронизировать дату и время устройства с данными NTP сервера (Протокол сетевого времени), указанными сервером DHCP.
- **STATIC:** Выберите этот вариант, если вы хотите синхронизировать дату и время устройства с данными NTP-сервера с заданным статическим адресом.

**i** Чтобы устройство работало правильно, необходимо синхронизировать его с программным обеспечением VMS, используя NTP-сервер.

## 9.1.6 Страница пользовательских настроек

Пункт меню User Configuration (Пользовательские настройки) позволяет управлять данными всех пользователей, имеющих доступ к устройству. Пользователям с правами Администратора предоставляется доступ ко всем параметрам конфигурации устройства. Пользователи с правами Оператора, Пользователя и Анонимного пользователя имеют ограниченный доступ к страницам с функциями управления.

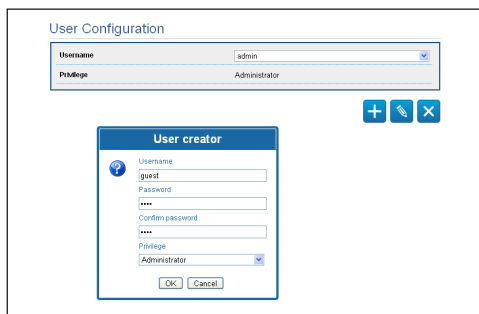


Рис. 56

**i** Настройка конфигурации устройства может выполняться только пользователями с правами администратора.

## 9.1.7 Страница параметров движения (Motion Parameters)

Пункт меню Movement Parameters (Параметры движения) позволяет контролировать через интернет все параметры поворотного устройства.

- **Offset Pan:** Поворотное устройство имеет механически заданное положение 0°. Функция смещения при повороте (Offset Pan) позволяет установить другое положение 0° при помощи программного обеспечения.
- **Maximum Speed:** Устанавливает максимальную скорость ручного перемещения (Manual Speed).
- **Speed with Zoom:** При включении этот параметр автоматически снижает скорость поворотного устройства в соответствии с коэффициентом масштабирования.
- **Коэффициент наклона (Tilt Factor):** Устанавливает коэффициент уменьшения скорости ручного перемещения (Manual Speed) по вертикальной оси.
- **Pan Limits:** Включает ограничения поворота.
- **Pan Start:** Устанавливает начальную точку поворота.
- **Pan End:** Устанавливает конечную точку поворота.
- **Tilt Start:** Устанавливает начальную точку наклона.
- **Tilt End:** Устанавливает конечную точку наклона.

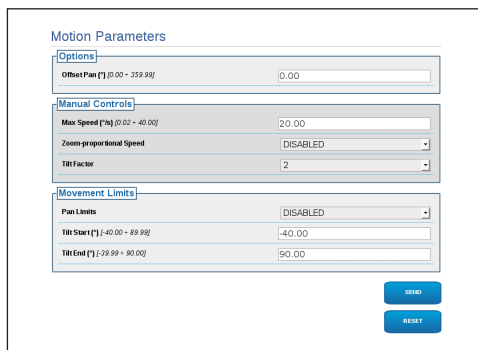


Рис. 57

### 9.1.7.1 Страница автоматического панорамного наблюдения (Autopan Page)

Пункт меню Автоматическое панорамное наблюдение (Autopan) позволяет указать предварительно установленные значения для включения и отключения автоматического панорамного наблюдения.

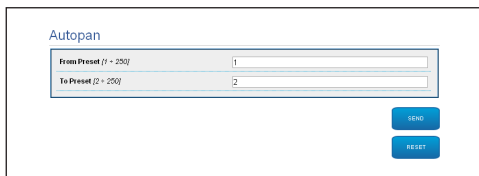


Рис. 58

### 9.1.7.2 Страница патрулирования (Patrol Page)

Пункт меню Патрулирование (Patrol) позволяет указать предварительно установленные значения для включения и отключения патрулирования. Можно указать, производится ли сканирование предварительно установленной области произвольно или иным образом.

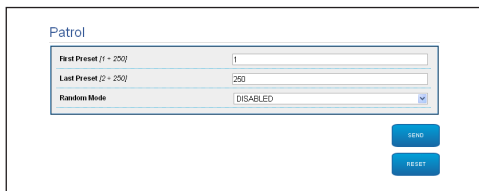


Рис. 59

### 9.1.7.3 Страница вызова движения (Motions Recall)

Пункт меню Motion Recall (Вызов движения) позволяет указать временной интервал простоя, после которого поворотное устройство выполнит одну из следующих функций: возвращение в исходное положение, начало панорамного наблюдения или начало патрулирования.

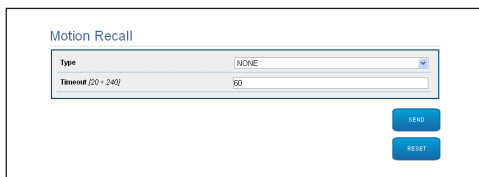


Рис. 60

### 9.1.8 Страница предварительно установленных параметров

Пункт меню Preset Parameters (Предварительно установленные параметры) позволяет настраивать некоторые параметры, относящихся к предварительным настройкам:

- **Scan Speed:** Скорость, измеряемая в градусах в секунду, при которой достигается предварительно установленное значение в случае прямой команды оператора.
- **Тип ускорения (Ramp type):** Позволяет выбирать ускорение поворотного устройства.
- **Speed of Movements Default:** Скорость, используемая при автоматическом панорамном наблюдении и патрулировании.
- **Impose Default Speed:** Используемая по умолчанию скорость также будет установлена в качестве скорости сканирования во всех предварительных настройках.
- **Default Dwell Time:** Стандартное время в секундах, в течение которого устройство работает в режиме каждой предварительной настройки.
- **Impose Default Pause:** Для всех предварительных настроек по умолчанию устанавливается пауза.

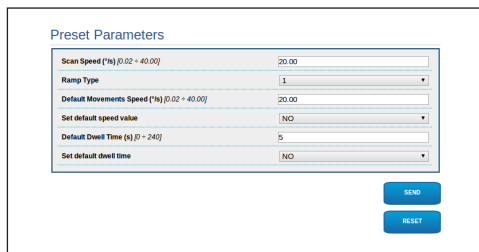


Рис. 61

### 9.1.9 Страница предварительно установленных параметров (Дополнительное меню)

В разделе Предварительно установленные параметры (дополнительные) можно настроить значения скорости и паузы для каждого параметра, а также включить или отключить сами предварительно установленные настройки.

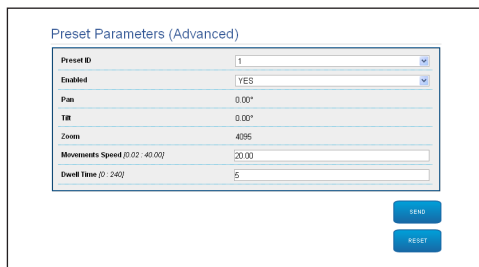


Рис. 62



## 9.1.10 Страница цифрового входа/выхода (Digital I/O)

Пункт меню Digital I/O (Цифровой вход/выход) позволяет выполнять настройку конфигурации имеющихся цифровых каналов устройства. Далее приводится краткое описание настраиваемых параметров каждого цифрового входа.

- **Идентификатор аварийного сигнала (Alarm ID):** Данное поле используется для выбора требуемого цифрового входа.
- **Тип:** Индикация стандартного состояния цифрового входа.
- **Action:** Каждый вход можно привязать к определенному действию. Действие активируется, когда контакт находится в положении, отличном от стандартного. Доступные действия перечислены ниже:
  - **NONE (ОТСУТСТВУЕТ):** Нет действий.
  - **SCAN (СКАН):** Располагает поворотное устройство в соответствии с предварительной настройкой.
  - **PATROL:** Активирует функцию PATROL (патрулирование).
  - **AUTOPAN (АВТОМАТИЧЕСКОЕ ПАНОРАМНОЕ НАБЛЮДЕНИЕ):** Активирует функцию AUTOPAN (автоматическое панорамное наблюдение).
  - **СТЕКЛОЧИСТИТЕЛЬ:** Активирует стеклоочиститель.
  - **ОМЫВАТЕЛЬ:** Запускает последовательность очистки стекла.
  - **РЕЛЕ 1:** Активирует реле 1.
  - **РЕЛЕ 2:** Активирует реле 2.
  - **IR FILT (ИК-ФИЛЬТР):** Выключение ИК-фильтра камеры. При наличии включает светодиодные осветители.

Проверка правильности срабатывания аварийных сигналов осуществляется с помощью точки, появляющейся на веб-странице. В нормальном режиме точка будет зеленой, а при выявлении сигнала тревоги – красной.

Digital I/O

Alarm ID	1
Type	NORMALLY OPEN
Action	NONE

SET  
RESET

Рис. 63

## 9.1.11 Страница омывателя

В пункте меню «Моечное устройство» можно настроить работу системы промывки устройства.

Washer

Nozzle Preset (1 ~ 200)	1
Wiper-On Delay (0 ~ 240)	5
Washing Duration (0 ~ 240)	5
Wiper-Off Delay (0 ~ 240)	5

SET  
RESET

Рис. 64

## 9.1.12 Параметры Камеры страница

**!** Изменение данных в разделе «Протокол и аутентификация» может сделать камеру недоступной. Заводские настройки обеспечивают правильный доступ к системе.

**!** Рекомендуется не изменять данные в разделе «Характеристики линз», чтобы не нарушить правильное функционирование системы. Единственное полезное поле для конечного пользователя - «автофокус».

В этом разделе также отображаются данные по разным профилям ONVIF, экспортированные из камеры.

**Camera Settings**

**Protocol and Authentication**

Protocol: ONVIF PROFILE S

Username: service

Password: \*\*\*\*

Confirm password: \*\*\*\*

**Streaming Profiles**

Profile ID: 0

Profile: media\_profile1

Codec: H.264

Resolution: 1920 x 1080

Framerate limit: 30 fps

Bitrate limit: 8000 kbps

GOP: 30 frames

Zoom enabled: No

**Lenses Features**

Lenses: MOTORIZED

Zoom ratio (1 ~ 50): 1

Lenses positioning range (0 ~ 255): 20

Motor Type: INVERTED POLARITY

Rotation polarity of the lens Zoom: POSITIVE

Rotation polarity of the lens Focus: POSITIVE

Rotation polarity of the lens Iris: POSITIVE

IR Probe: EXTERNAL

Autofocus: MANUAL TRIGGER ONLY

SEND

RESET

Чтобы изменить настройки камеры, нажмите кнопку VTunnel или просто кнопку Камера в меню инструментов (9.1.13 Страница инструментов (Tools), страница 28).

## 9.1.13 Страница инструментов (Tools)

**i** В случае сброса PTZ возвращается к заводским настройкам. Чтобы получить доступ к системе, следуйте указаниям в соответствующем разделе (9.1 Веб-интерфейс, страница 21).

Пункт меню Tools позволяет изменять предварительно заданные значения всех параметров конфигурации устройства или некоторых отдельных групп параметров.

Данная группа параметров позволяет:

- Обновить прошивку устройства.
- Перезапустить устройство.
- Скачайте приложение VTunnel, чтобы активировать соединение с IP-камерой, необходимое для входа на веб-страницу. (9.2 VTunnel, страница 30).
- Откройте веб-страницу камеры (9.3 Камера, страница 30).

**Utility**

- RESET PRESETS Resets all presets settings to their factory values.
- RESET PARAMS Resets all Motion Parameters, Digital I/O settings and Washer settings to their factory values.
- RESET USER Resets all authentication settings to their factory values.
- RESET NETWORK Resets all network settings to their factory values.
- RESET ALL Resets all parameters and settings to their factory values.
- UPGRADE FIRMWARE Upgrade device firmware.  No file selected.
- REBOOT DEVICE Reboot the device.
- VTUNNEL Download and run VTunnel to reach the camera directly from your browser.
- CAMERA Access the camera web pages

Рис. 66

Рис. 65

## 9.1.14 Factory Default

**⚠ Если пароль доступа к поворотной опоре утерян, вы можете восстановить заводские настройки с помощью кнопки Reset (Сброс), расположенной внутри изделия.**

**⚠ Для поиска и идентификации поворотной опоры следуйте указаниям в соответствующем разделе (9.1 Веб-интерфейс, страница 21). Однако в этом случае для доступа к системе необходимо использовать учетные данные камеры, а не поворотной опоры. Если используются учетные данные камеры по умолчанию (установленные Videotec), они следующие:**

**Login: service**

**Password: Videotec2020-**

Чтобы восстановить заводские настройки, относящиеся к сети, доступу пользователя и конфигурации камеры, выполните следующие действия:

- Подключите устройство к сети электропитания.
- Откройте крышку DIP-переключателей.
- Найдите DIP-переключатель 4 (01). Опустите переключатель 1 вниз, в положение 1 (ON).
- Дождитесь временного отключения светодиодов (02).
- Поднимите переключатель 1 вверх, в положение 0 (OFF).
- Закройте крышку разъема.
- Следуйте указаниям, изложенным в параграфе 9.1, чтобы определить адрес (9.1 Веб-интерфейс, страница 21).

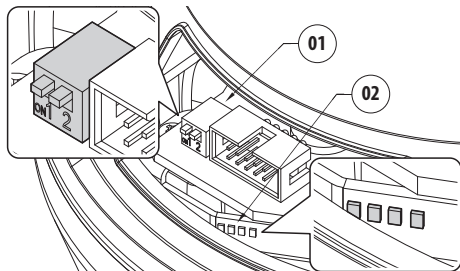


Рис. 67

Требуемые параметры:

- IP-протокол, используемый для связи с камерой (ONVIF PROFILE S).
- Тип установленного объектива (МОТОРИЗОВАННЫЙ).
- Учетные данные, необходимые для подключения к IP-камере (username: "service"; password: "Videtotec2020-").
- Перезапустить устройство.
- Если все еще установлен DHCP, возможно, адрес изделия изменился.

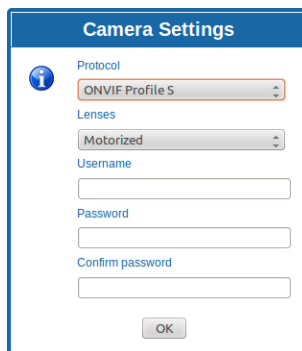


Рис. 68

## 9.2 VTTunnel

**i** Приложение работает только с Java™. Если Java™ не установлена, загрузите последнюю версию с сайта [www.java.com](http://www.java.com).

**i** Приложение можно подключить только к первому интерфейсу сети. К поворотному устройству должен быть подключен только сетевой кабель.

**i** Для того чтобы запустить приложение, требуются права администратора компьютера. На экране может появиться следующее сообщение: **You have to execute Javaw as administrator** (Вы должны запустить Javaw от имени администратора). В этом случае необходимо изменить свойства запуска файла в установочной папке Java.

Чтобы подключить веб-камеру, необходимо использовать программу VTTunnel, доступную в меню Tools.

Когда программа будет запущена, отобразится список сетевых устройств. Чтобы подключить камеру, выберите необходимое поворотное устройство и нажмите на кнопку Connect (Подключить).

После того как соединение будет установлено, вы сможете зайти на веб-страницу IP-камеры по адресу 192.0.0.64.

После завершения работы с камерой вы можете закрыть подключение, нажав на кнопку Disconnect (Отключить). Подключение можно осуществить только к одной камере за раз, поэтому необходимо отключиться от поворотного устройства перед тем, как перейти к работе на другом устройстве.

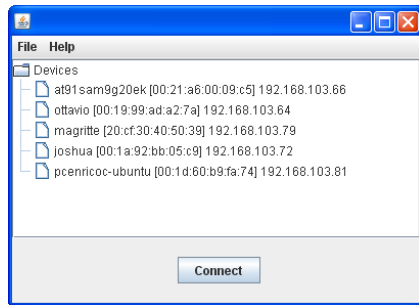


Рис. 69

**i** Перезапустите поворотное устройство, если параметры видеопотока были изменены во время конфигурации камеры.

## 9.3 Камера

**i** Более подробную информацию см. в руководстве к камере, которую можно загрузить с веб-сайта.

**i** Чтобы получить доступ к меню камеры, у поворотной опоры не должно быть автоматически сгенерированного адреса или в DHCP.

Откройте веб-страницу камеры.

Данные доступа к камере по умолчанию:

- Login: "service"
- Password: "Videotec2020-"

# 10 Комплектующие

**i** Дополнительная информация по конфигурации и использованию представлена в соответствующем руководстве.

## 10.1 Омыватель (Washer)

Изделие может быть оснащено внешним насосом подачи воды для очистки стекла.

При задействовании элемента управления поворотное устройство размещается таким образом, чтобы окошко находилось перед соплом. (9.1.2 Страница пользовательских элементов управления, страница 22). Насос и стеклоочиститель активируются на определенный период времени. После завершения действия поворотное устройство возвращается в исходное положение.

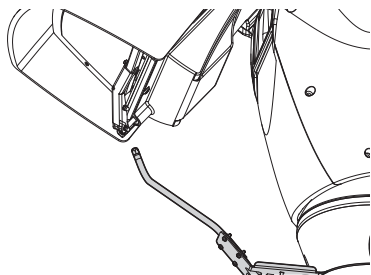


Рис. 70

### 10.1.1 Подключение системы омывателя

**!** ПРЕДУПРЕЖДЕНИЕ! Система типа НТС-1. Это система типа НТС-1, не подключайте ее к СНБН-схемам.

**!** ПРЕДУПРЕЖДЕНИЕ! Для снижения риска возникновения пожара используйте исключительно кабели UL или CSA, сечение которых превышает или равно 0,14mm<sup>2</sup> (26AWG).

**!** Все сигнальные кабели необходимо собрать в пучок с помощью кабельной стяжки.

ПОДКЛЮЧЕНИЕ СИСТЕМЫ ОМЫВАТЕЛЯ	
Клеммы	Описание
O1-C1	Очистите контакт, чтобы активировать моющую установку.

Табл. 5

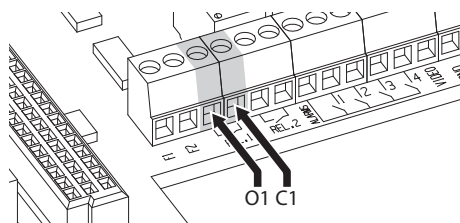


Рис. 71

## 10.2 Кронштейн для крепления на стене

Настенный кронштейн с внутренним кабельным каналом.

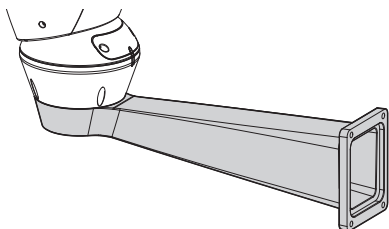


Рис. 72

## 10.3 Кронштейн для крепления параллельно потолку

Кронштейн для крепления параллельно потолку с внутренним кабельным каналом.

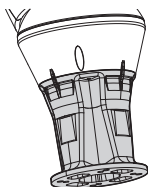


Рис. 73

## 10.4 Блок питания с функцией управления осветителями

Защищенный от погодных условий корпус с блоком питания и пультом управления осветителями.

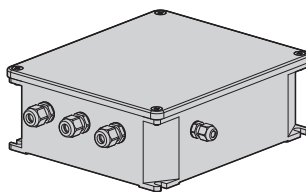


Рис. 74 Модель стандартного корпуса.

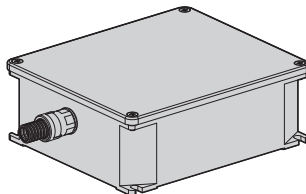




Рис. 75 Модель, сертифицированная по нормам UL.




Более подробная информация представлена в соответствующей главе (7.4.3 Подключение входов сигнала тревоги, сумеречного выключателя и реле, страница 15).

## 11 Техническое обслуживание

 **ПРЕДУПРЕЖДЕНИЕ!** Установка и обслуживание устройства должны осуществляться только специализированным персоналом.

 Техническое обслуживание должно проводиться сотрудниками, прошедшими курс обучения по выполнению работ на электрических цепях.

### 11.1 Замена предохранителей

 Проводите техническое обслуживание при отключенном источнике питания и разомкнутом выключателе сети.


При необходимости замените переходник, показанный на рисунке. (7.3 Описание платы разъемов, страница 13).

ЗАМЕНА ПРЕДОХРАНИТЕЛЕЙ		
Напряжение	Предохранитель F1	Предохранитель F2
24Vac, 50/60Hz	F 6.3A H 250V 5x20	T 8A H 250V 5x20
120Vac, 50/60Hz	F 6.3A H 250V 5x20	T 4A H 250V 5x20
230Vac, 50/60Hz	F 6.3A H 250V 5x20	T 2A H 250V 5x20

Табл. 6

## 12 Очистка

### 12.1 Чистка окна и пластмассовых деталей

 Не используйте этиловый спирт, растворители, галогенированные углеводороды, сильные кислоты и щелочи. Подобные вещества могут необратимо повредить поверхность устройства.

Мы рекомендуем использовать мягкую ткань с нейтральным мылом, разведенным в воде, или специальные вещества для очистки стеклянных объективов.

## 13 Информация об утилизации и переработке

Европейская директива 2012/19/ЕС Об Отходах Электрического и Электронного Оборудования (RAEE) предписывает, что данные устройства не следует утилизировать вместе с твердыми бытовыми отходами; их сбор осуществляется отдельно для оптимизации потока их утилизации и переработки содержащихся в них материалов, а также снижения воздействия на здоровье людей и окружающую среду в связи с присутствием потенциально опасных веществ.



**Значок с изображением зачеркнутого мусорного контейнера присутствует на всей продукции для напоминания об указанном требовании.**

Отходы могут доставляться в соответствующие центры по сбору отходов или бесплатно передаваться дистрибьютору, у которого было куплено оборудование, в момент покупки новой аналогичной продукции или без обязательства совершить новую покупку в случае оборудования, чей размер не превышает 25см.

Для получения более подробной информации о надлежащей утилизации данных устройств вы можете обратиться в уполномоченную государственную организацию.

## 14 Поиск и устранение неисправностей



**В том случае, если перечисленные ниже проблемы не удается устранить или если вы столкнулись с другими проблемами, описание которых здесь не представлено, обратитесь в авторизованный сервисный центр.**

### НЕИСПРАВНОСТЬ Устройство не включается.

ПРИЧИНА	Неправильный монтаж проводки, сгоревший предохранитель.
РЕШЕНИЕ	Убедитесь в том, что соединения выполнены надлежащим образом. Проверьте правильность работы предохранителей, и при выходе предохранителей из строя замените их на предохранители указанных моделей.

### НЕИСПРАВНОСТЬ При запуске поворотное устройство отключено.

ПРИЧИНА	Температура воздуха очень низкая.
РЕШЕНИЕ	Дождитесь окончания процедуры предварительного подогрева.

### НЕИСПРАВНОСТЬ Камера не фокусируется должным образом

ПРИЧИНА	Настройки камеры нарушены
РЕШЕНИЕ	Обратитесь в службу поддержки получения указаний по выполнению обратной фокусировки.

### НЕИСПРАВНОСТЬ При низкой температуре потоковое видео недоступно, многие пункты меню отключены.

ПРИЧИНА	Система все еще находится в стадии удаления льда (обычно она длится от 1 до 2 часов)
РЕШЕНИЕ	В меню инструментов нажмите кнопку ПЕРЕЗАГРУЗИТЬ. При слишком низкой температуре воздуха устройство останется заблокированным.



# 15 Технические характеристики

## 15.1 Общие сведения

Верхнее крепление (ОТТ)

Привод с зубчатым ремнем

Контактное кольцо

Электронные ограничители поворота

Нулевой зазор

Оптические датчики для точного позиционирования

Встроенный стеклоочиститель

Предварительно установленная камера и объектив

## 15.2 Механические хар.

Изготавливается из алюминия и технополимера

Эпоксиполиэстеровое порошковое покрытие, цвет RAL9002

Вращение по горизонтали: 360°, постоянным вращение

Увеличение 33х:

- Вертикальное перемещение: от -20° до +45°
- Скорость горизонтального движения (регулируется): от 0.02°/s до 20°/s
- Скорость вертикального перемещения (регулируется): от 0.02°/s до 20°/s

Точность предварительно установленных положений: 0.02°

Кабельные муфты: 3xM16

Вес устройства: 30kg

## 15.3 Электрические хар.

Напряжение сети питания/Потребляемый ток:

- 230Vac, 0.4A, 50/60Hz
- 120Vac, 0.8A, 50/60Hz
- 24Vac, 4A (8A со светодиодными осветителями), 50/60Hz

Энергопотребление (осветители выключены):

- 24W, поворотное устройство остановлено (ожидание), подогрев выключен
- 100W, поворотное устройство в движении, подогрев включен

Энергопотребление (включенные осветители):

- 150W, поворотное устройство в движении, подогрев включен, осветители на минимальную мощность
- 190W, поворотное устройство в движении, подогрев включен, осветители на максимальной мощности

4 входа сигнала тревоги с автономным источником питания

2 сухих контакта: 30Vdc max или 30Vac, @ 1A

## 15.4 Связь (Communications)

Разъем: RJ45, 10BASE-T/100BASE-T

Протокол: ONVIF, Profile S (TCP/IPv4, UDP/IPv4, HTTP, NTP, DHCP, WS-DISCOVERY, QoS, RTSP, RTCP, RTP)

## 15.5 Камеры

"День-ночь" Full HD, 60 кадров/с, sensor CMOS 1/2.8"

Эффективные пиксели: 2 Megapixel

Минимальное освещение, цветное (ICR выключен):

- 0.041 lx 1/25s F3.0, 50 IRE

Минимальное освещение, Ч/Б (ICR включен):

- 0.005 lx 1/25s F3.0, 50 IRE

Увеличение 33x:

- Горизонтальный угол обзора: от 20.51° (wide end) до 0.65° (tele end)
- Вертикальное поле обзора: от 11.58° (wide end) до 0.36° (tele end)

Отношение сигнал-шум: более 55 dB

Расширенный динамический диапазон: 110 dB WDR (Измерено в соответствии с IEC 62676 часть 5)

Параметры настройки изображения: Контраст (Contrast), насыщенность, яркость

Баланс белого (White Balance): от 2500K до 10000K, 4 автоматических режима (основание, standard, натриевая лампа, преобладающий цвет), режим «Ручной» и режим «Удержание»

Уровень ALC: Регулируемый

Насыщенность: Регулируется от пиковой до средней

Затвор: Автоматический электронный затвор (AES, Automatic Electronic Shutter); Фиксированная выдержка (от 1/25 [30] до 1/15000)выбираемый; Установка выдержки по умолчанию

"День-ночь": Auto (настраиваемые точки переключения), цветной, монохромный

Sharpness: Выбор уровня усиления резкости

Компенсация встречной засветки: Вкл./ Выкл./ Интеллектуальная автоматическая экспозиция (IAE)

Оптимизация контрастности: Вкл./ Выкл.

Подавление помех: Интеллектуальное динамическое подавление помех с отдельными временными и пространственными настройками

Intelligent Defog

Video Content Analysis Intelligent Video Analytics

Сюжетный режим: 10 предустановленных режимов с планировщиком: В помещении, на улице, транспортное сообщение, слабое освещение, интеллектуальная EA, вибрация, низкая скорость передачи данных, спорт и игры, магазины, распознавание номерных знаков (LPR)

Затемнение участков

## 15.6 Объективы

Увеличение 33x, 15.2-500mm, F3.0 (Система термокомпенсации и фильтр, отсекающий видимый свет)

## 15.7 Окружающая среда

Для установки внутри помещений и наружной установки

Рабочая температура

- Постоянная работа: от -40°C до +60°C
- Прерывистое действие (абсолютный максимум температуры в течение коротких периодов): +65°C
- Cold start (объективами 33x): -30°C

Невосприимчивость к выбросу напряжения: до 2 кВ между фазами, до 4 кВ между фазой и землей (Класс 4)

Относительная влажность: от 10% до 95% (без образования конденсата)

## 15.8 Сертификаты

Электробезопасность (CE): EN60950-1, IEC60950-1, EN62368-1, IEC62368-1

Электромагнитная совместимость (CE): EN50130-4, EN61000-6-4, EN55022 (Класс А), FCC Part 15 (Класс А)

Наружная установка (CE): EN60950-22, IEC60950-22

Фотобиологическая безопасность (CE): EN62471 (Светодиодные осветители)

Степень защиты IP: EN60529, IP66

Защита от солевого тумана: EN50130-5, EN60068-2-52

Сертификат EAC

Соответствует NDAA

# 16 Технические чертежи

**i** Размеры указаны в миллиметрах.

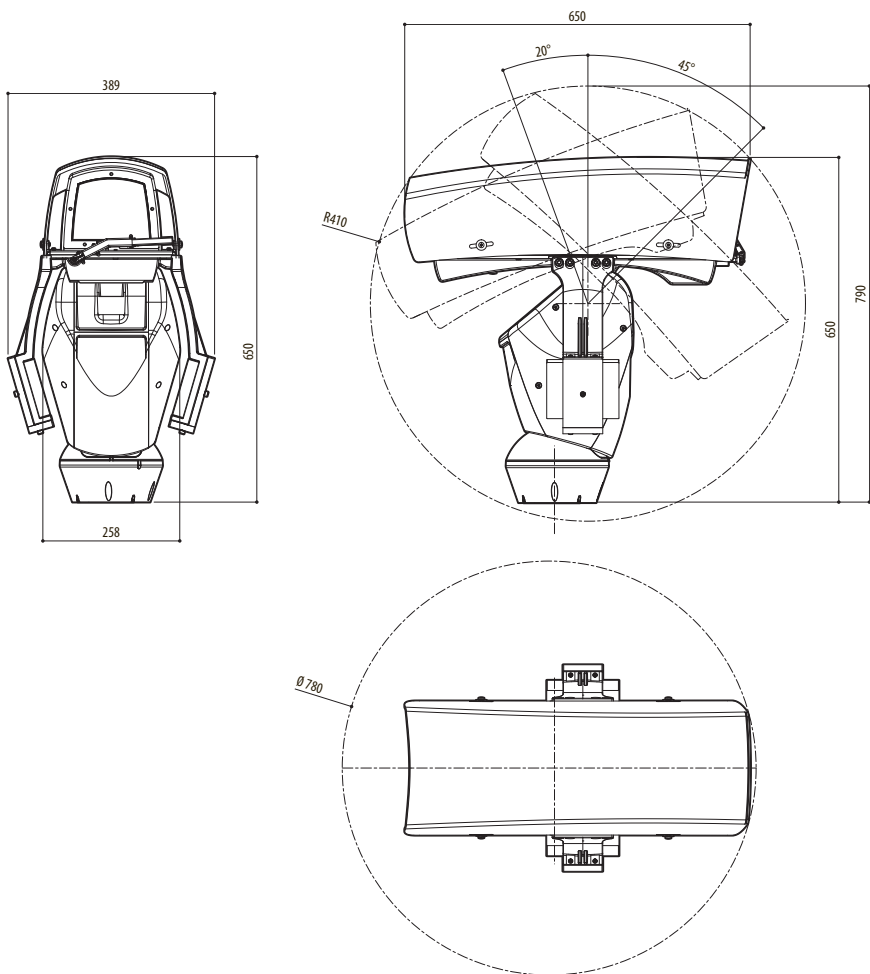
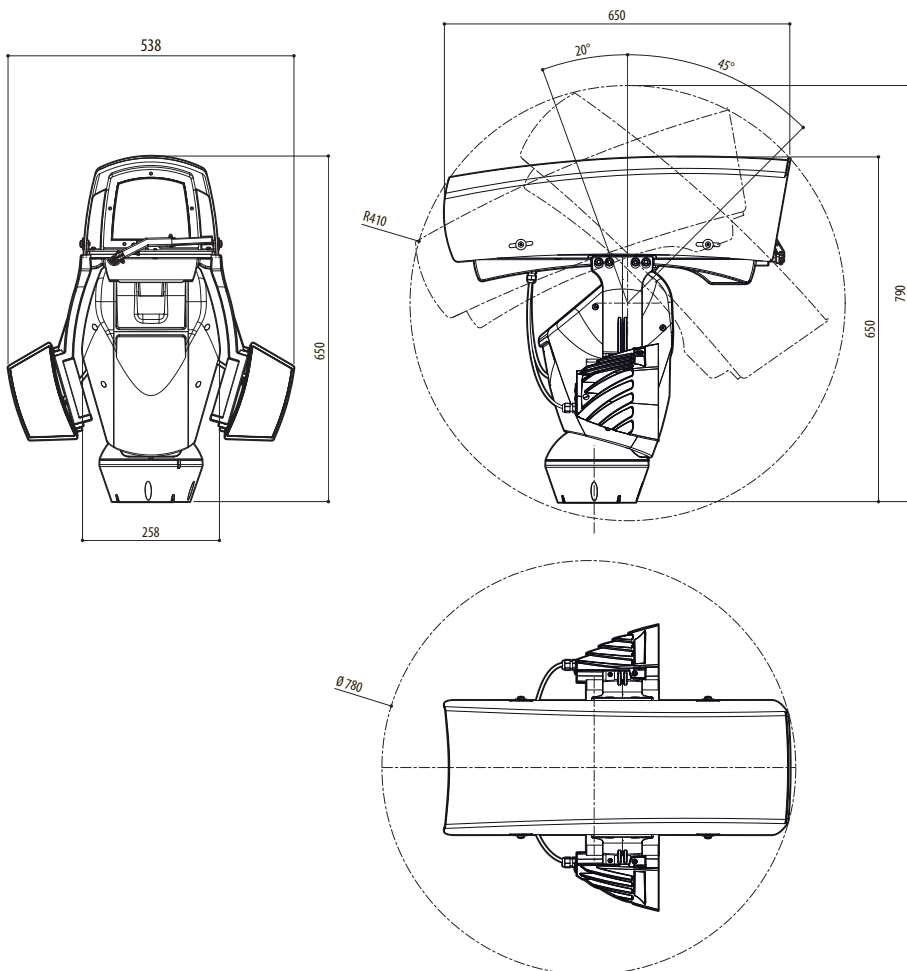


Рис. 76 ULISSE RADICAL, Увеличение 33х.



**Рис. 77** ULISSE RADICAL, Увеличение 33х, модель, подготовленная для установки двух светодиодных осветителей.



**Headquarters Italy Videotec s.r.l.**  
 Via Friuli, 6 - I-36015 Schio (VI) - Italy  
 Tel. +39 0445 697411 - Fax +39 0445 697414  
 Email: [info@videotec.com](mailto:info@videotec.com)  
[www.videotec.com](http://www.videotec.com)

MNVCUPKHL\_2222\_RU





**Headquarters Italy** VIDEOTEC s.r.l.  
Via Friuli, 6 - I-36015 Schio (VI) - Italy  
Tel. +39 0445 697411 - Fax +39 0445 697414  
Email: [info@videotec.com](mailto:info@videotec.com)  
[www.videotec.com](http://www.videotec.com)

**MNVCUPKHL\_2222**